

FASTTRAK

Simple, Strong,
Quick & Easy.

ASSEMBLY INSTRUCTIONS

S42



NOTES

BEFORE COMMENCING SHED ASSEMBLY, CHECK ALL PARTS. IF THERE IS A DISCREPANCY, PLEASE CALL YARDSAVER (SEE REAR OF INSTRUCTION BOOK)

DO NOT ASSEMBLE IN WINDY CONDITIONS



READ INSTRUCTIONS FIRST



2 PERSON ASSEMBLY



THE MANUFACTURERS CANNOT BE HELD RESPONSIBLE FOR ANY CONSEQUENCES DUE TO SHEDS THAT ARE NOT INSTALLED PER INSTRUCTIONS OR FOR DAMAGE DUE TO WEATHER CONDITIONS, ACTS OF GOD OR FOR SHEDS THAT ARE LEFT PARTIALLY ASSEMBLED OVERNIGHT. PARTS MAY CONTAIN SHARP EDGES & CORNERS. CARE MUST BE TAKEN WHEN HANDLING VARIOUS PIECES TO AVOID A MISHAP, FOR SAFETY SAKE, PLEASE USE A PAIR OF WORK GLOVES, EYE PROTECTION & PROTECTIVE CLOTHING WHEN ASSEMBLING OR PERFORMING ANY MAINTENANCE ON THE BUILDING.

TOOLS REQUIRED



Electric Drill



Cordless Drill



Measuring Tape



Screwdrivers



8mm Masonry Drill Bit



Shifting Spanner



Builders Pencil



Tin Snips
(some models only)



Rubber Mallet



Sturdy Ladder
(two if possible)



Gloves



Protective Eyewear

HANDY HINTS FOR CONSTRUCTION



Read instructions and check parts carefully before assembling the shed.



Please wear safety gloves and glasses at all times to protect against sharp metal edges.



Do not assemble in windy conditions as panels may be difficult to handle and damage may result.

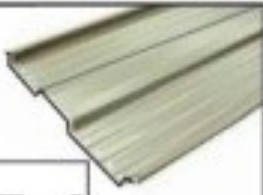



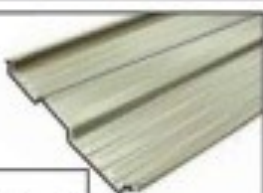
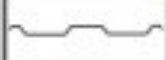










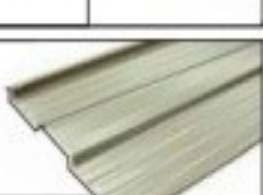


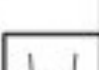










Do not back fill against the shed as this will result in corrosion. Allow drainage from the site.







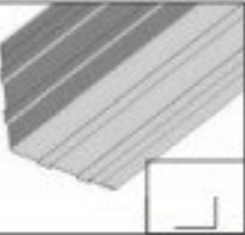




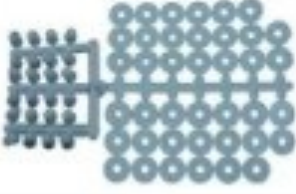

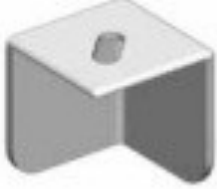


MOST PILOT HOLES ARE PRE-PUNCHED AND IN THIS CASE DRILLING HOLES IS NOT NECESSARY, HOWEVER SOME PILOT HOLES NEED TO BE DRILLED WITH THE INCLUDED 2.5MM DRILL BIT WHERE INDICATED

PARTS LIST

<table border="1"> <tr> <th colspan="2">PRODUCT NUMBERS</th> </tr> <tr> <td>A1</td> <td>A2</td> </tr> <tr> <td>Quantity (total)</td> <td>2</td> </tr> <tr> <td colspan="2">Description: Right Skillion Wall Panel</td> </tr> </table>	PRODUCT NUMBERS		A1	A2	Quantity (total)	2	Description: Right Skillion Wall Panel		 	<table border="1"> <tr> <th>PRODUCT ID</th> <td>H</td> </tr> <tr> <td>Length</td> <td>662mm</td> </tr> <tr> <td>Quantity</td> <td>2</td> </tr> <tr> <td colspan="2">Description: Door Frame Top/Bottom</td> </tr> </table>	PRODUCT ID	H	Length	662mm	Quantity	2	Description: Door Frame Top/Bottom		 
PRODUCT NUMBERS																			
A1	A2																		
Quantity (total)	2																		
Description: Right Skillion Wall Panel																			
PRODUCT ID	H																		
Length	662mm																		
Quantity	2																		
Description: Door Frame Top/Bottom																			
<table border="1"> <tr> <th colspan="2">PRODUCT NUMBERS</th> </tr> <tr> <td>B1</td> <td>B2</td> </tr> <tr> <td>Quantity (total)</td> <td>2</td> </tr> <tr> <td colspan="2">Description: Left Skillion Wall Panel</td> </tr> </table>	PRODUCT NUMBERS		B1	B2	Quantity (total)	2	Description: Left Skillion Wall Panel		 	<table border="1"> <tr> <th>PRODUCT ID</th> <td>I</td> </tr> <tr> <td>Length</td> <td>1742mm</td> </tr> <tr> <td>Quantity</td> <td>2</td> </tr> <tr> <td colspan="2">Description: Door Frame Side</td> </tr> </table>	PRODUCT ID	I	Length	1742mm	Quantity	2	Description: Door Frame Side		 
PRODUCT NUMBERS																			
B1	B2																		
Quantity (total)	2																		
Description: Left Skillion Wall Panel																			
PRODUCT ID	I																		
Length	1742mm																		
Quantity	2																		
Description: Door Frame Side																			
<table border="1"> <tr> <th>PRODUCT ID</th> <td>C</td> </tr> <tr> <td>Length</td> <td>1926mm</td> </tr> <tr> <td>Quantity</td> <td>3</td> </tr> <tr> <td colspan="2">Description: Wall Rear Panel</td> </tr> </table>	PRODUCT ID	C	Length	1926mm	Quantity	3	Description: Wall Rear Panel		 	<table border="1"> <tr> <th>PRODUCT ID</th> <td>J</td> </tr> <tr> <td>Length</td> <td>1706mm</td> </tr> <tr> <td>Quantity</td> <td>2</td> </tr> <tr> <td colspan="2">Description: Door Boxing</td> </tr> </table>	PRODUCT ID	J	Length	1706mm	Quantity	2	Description: Door Boxing		 
PRODUCT ID	C																		
Length	1926mm																		
Quantity	3																		
Description: Wall Rear Panel																			
PRODUCT ID	J																		
Length	1706mm																		
Quantity	2																		
Description: Door Boxing																			
<table border="1"> <tr> <th>PRODUCT ID</th> <td>D</td> </tr> <tr> <td>Length</td> <td>1926mm</td> </tr> <tr> <td>Quantity</td> <td>1</td> </tr> <tr> <td colspan="2">Description: Wall Rear Corner Panel</td> </tr> </table>	PRODUCT ID	D	Length	1926mm	Quantity	1	Description: Wall Rear Corner Panel		 	<table border="1"> <tr> <th>PRODUCT ID</th> <td>K</td> </tr> <tr> <td>Length</td> <td>1040mm</td> </tr> <tr> <td>Quantity</td> <td>2</td> </tr> <tr> <td colspan="2">Description: Door Bracing</td> </tr> </table>	PRODUCT ID	K	Length	1040mm	Quantity	2	Description: Door Bracing		 
PRODUCT ID	D																		
Length	1926mm																		
Quantity	1																		
Description: Wall Rear Corner Panel																			
PRODUCT ID	K																		
Length	1040mm																		
Quantity	2																		
Description: Door Bracing																			
<table border="1"> <tr> <th>PRODUCT ID</th> <td>D</td> </tr> <tr> <td>Length</td> <td>1800mm</td> </tr> <tr> <td>Quantity</td> <td>2</td> </tr> <tr> <td colspan="2">Description: Wall Front Corner Panel</td> </tr> </table>	PRODUCT ID	D	Length	1800mm	Quantity	2	Description: Wall Front Corner Panel		 	<table border="1"> <tr> <th>PRODUCT ID</th> <td>M</td> </tr> <tr> <td>Length</td> <td>1407mm</td> </tr> <tr> <td>Quantity</td> <td>4</td> </tr> <tr> <td colspan="2">Description: Top/Bottom Front/Rear Channel</td> </tr> </table>	PRODUCT ID	M	Length	1407mm	Quantity	4	Description: Top/Bottom Front/Rear Channel		 
PRODUCT ID	D																		
Length	1800mm																		
Quantity	2																		
Description: Wall Front Corner Panel																			
PRODUCT ID	M																		
Length	1407mm																		
Quantity	4																		
Description: Top/Bottom Front/Rear Channel																			
<table border="1"> <tr> <th>PRODUCT ID</th> <td>E</td> </tr> <tr> <td>Length</td> <td>817mm</td> </tr> <tr> <td>Quantity</td> <td>4</td> </tr> <tr> <td colspan="2">Description: Roof Panel</td> </tr> </table>	PRODUCT ID	E	Length	817mm	Quantity	4	Description: Roof Panel		 	<table border="1"> <tr> <th>PRODUCT ID</th> <td>N</td> </tr> <tr> <td>Length</td> <td>715mm</td> </tr> <tr> <td>Quantity</td> <td>2</td> </tr> <tr> <td colspan="2">Description: Side Channel Bottom</td> </tr> </table>	PRODUCT ID	N	Length	715mm	Quantity	2	Description: Side Channel Bottom		 
PRODUCT ID	E																		
Length	817mm																		
Quantity	4																		
Description: Roof Panel																			
PRODUCT ID	N																		
Length	715mm																		
Quantity	2																		
Description: Side Channel Bottom																			
<table border="1"> <tr> <th>PRODUCT ID</th> <td>F</td> </tr> <tr> <td>Length</td> <td>1738mm</td> </tr> <tr> <td>Quantity</td> <td>2</td> </tr> <tr> <td colspan="2">Description: Door Panel Side (partially slit)</td> </tr> </table>	PRODUCT ID	F	Length	1738mm	Quantity	2	Description: Door Panel Side (partially slit)		 	<table border="1"> <tr> <th>PRODUCT ID</th> <td>O</td> </tr> <tr> <td>Length</td> <td>726mm</td> </tr> <tr> <td>Quantity</td> <td>2</td> </tr> <tr> <td colspan="2">Description: Side Channel Top</td> </tr> </table>	PRODUCT ID	O	Length	726mm	Quantity	2	Description: Side Channel Top		 
PRODUCT ID	F																		
Length	1738mm																		
Quantity	2																		
Description: Door Panel Side (partially slit)																			
PRODUCT ID	O																		
Length	726mm																		
Quantity	2																		
Description: Side Channel Top																			

PARTS LIST

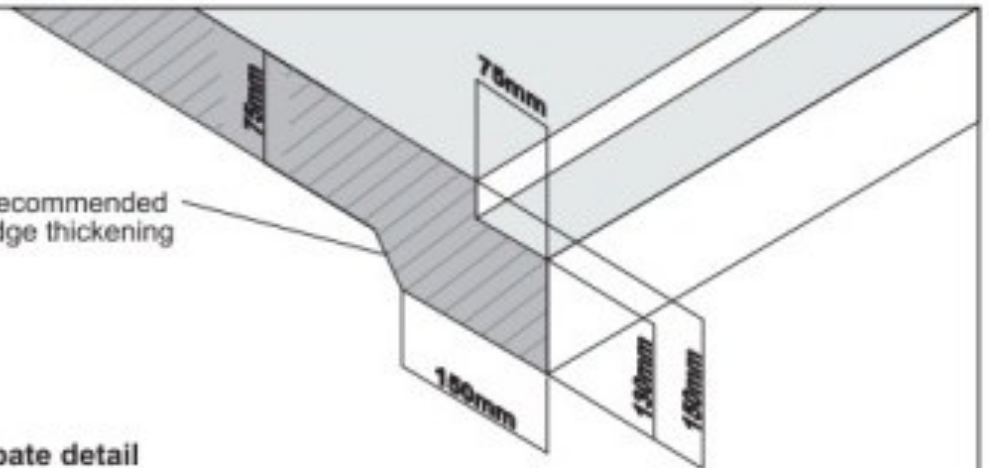
<table border="1"> <tr> <td>PRODUCT ID</td> <td>Q</td> </tr> <tr> <td>Length</td> <td>1800mm</td> </tr> <tr> <td>Quantity</td> <td>2</td> </tr> <tr> <td colspan="2">Description: Door Jamb</td> </tr> </table>	PRODUCT ID	Q	Length	1800mm	Quantity	2	Description: Door Jamb			<table border="1"> <tr> <td>Quantity</td> <td>1</td> </tr> <tr> <td colspan="2">Description: Clip Nut</td> </tr> </table>	Quantity	1	Description: Clip Nut		
PRODUCT ID	Q														
Length	1800mm														
Quantity	2														
Description: Door Jamb															
Quantity	1														
Description: Clip Nut															
<table border="1"> <tr> <td>PRODUCT ID</td> <td>R</td> </tr> <tr> <td>Length</td> <td>675mm</td> </tr> <tr> <td>Quantity</td> <td>1</td> </tr> <tr> <td colspan="2">Description: Bottom Door Spacer</td> </tr> </table>	PRODUCT ID	R	Length	675mm	Quantity	1	Description: Bottom Door Spacer			<table border="1"> <tr> <td>Quantity</td> <td>2</td> </tr> <tr> <td colspan="2">Description: Hinges (offset)</td> </tr> </table>	Quantity	2	Description: Hinges (offset)		
PRODUCT ID	R														
Length	675mm														
Quantity	1														
Description: Bottom Door Spacer															
Quantity	2														
Description: Hinges (offset)															
<table border="1"> <tr> <td>PRODUCT ID</td> <td>S</td> </tr> <tr> <td>Length</td> <td>675mm</td> </tr> <tr> <td>Quantity</td> <td>1</td> </tr> <tr> <td colspan="2">Description: Top Door Spacer</td> </tr> </table>	PRODUCT ID	S	Length	675mm	Quantity	1	Description: Top Door Spacer			<table border="1"> <tr> <td>Quantity</td> <td>1</td> </tr> <tr> <td colspan="2">Description: Door Plate</td> </tr> </table>	Quantity	1	Description: Door Plate		
PRODUCT ID	S														
Length	675mm														
Quantity	1														
Description: Top Door Spacer															
Quantity	1														
Description: Door Plate															
<table border="1"> <tr> <td>PRODUCT ID</td> <td>V</td> </tr> <tr> <td>Length</td> <td>1404mm</td> </tr> <tr> <td>Quantity</td> <td>2</td> </tr> <tr> <td colspan="2">Description: Gutter Trim</td> </tr> </table>	PRODUCT ID	V	Length	1404mm	Quantity	2	Description: Gutter Trim			<table border="1"> <tr> <td>Quantity</td> <td>1</td> </tr> <tr> <td colspan="2">Description: Padbolt</td> </tr> </table>	Quantity	1	Description: Padbolt		
PRODUCT ID	V														
Length	1404mm														
Quantity	2														
Description: Gutter Trim															
Quantity	1														
Description: Padbolt															
<table border="1"> <tr> <td>PRODUCT ID</td> <td>W</td> </tr> <tr> <td>Length</td> <td>809mm</td> </tr> <tr> <td>Quantity</td> <td>2</td> </tr> <tr> <td colspan="2">Description: Roof Angle</td> </tr> </table>	PRODUCT ID	W	Length	809mm	Quantity	2	Description: Roof Angle			<table border="1"> <tr> <td>Quantity</td> <td>1</td> </tr> <tr> <td colspan="2">Description: Keeper</td> </tr> </table>	Quantity	1	Description: Keeper		
PRODUCT ID	W														
Length	809mm														
Quantity	2														
Description: Roof Angle															
Quantity	1														
Description: Keeper															
<table border="1"> <tr> <td>Quantity</td> <td>200</td> </tr> <tr> <td colspan="2">Description: Self Tapping Screws - Silver</td> </tr> </table>	Quantity	200	Description: Self Tapping Screws - Silver			<table border="1"> <tr> <td>Quantity</td> <td>1</td> </tr> <tr> <td colspan="2">Description: Plastic Washer and Screw Cap Sheet</td> </tr> </table>	Quantity	1	Description: Plastic Washer and Screw Cap Sheet						
Quantity	200														
Description: Self Tapping Screws - Silver															
Quantity	1														
Description: Plastic Washer and Screw Cap Sheet															
<table border="1"> <tr> <td>Quantity</td> <td>1</td> </tr> <tr> <td colspan="2">Description: 2.5mm Drill Bit</td> </tr> </table>	Quantity	1	Description: 2.5mm Drill Bit			<table border="1"> <tr> <td>Quantity</td> <td>4</td> </tr> <tr> <td colspan="2">Description: Plastic Corner Cap</td> </tr> </table>	Quantity	4	Description: Plastic Corner Cap						
Quantity	1														
Description: 2.5mm Drill Bit															
Quantity	4														
Description: Plastic Corner Cap															

PARTS LIST

					
Quantity	4		Quantity	4	
Masonry Anchor			Description: Corner Bracket		
					
Quantity	1				
Phillips Head Bit					

FOUNDATION

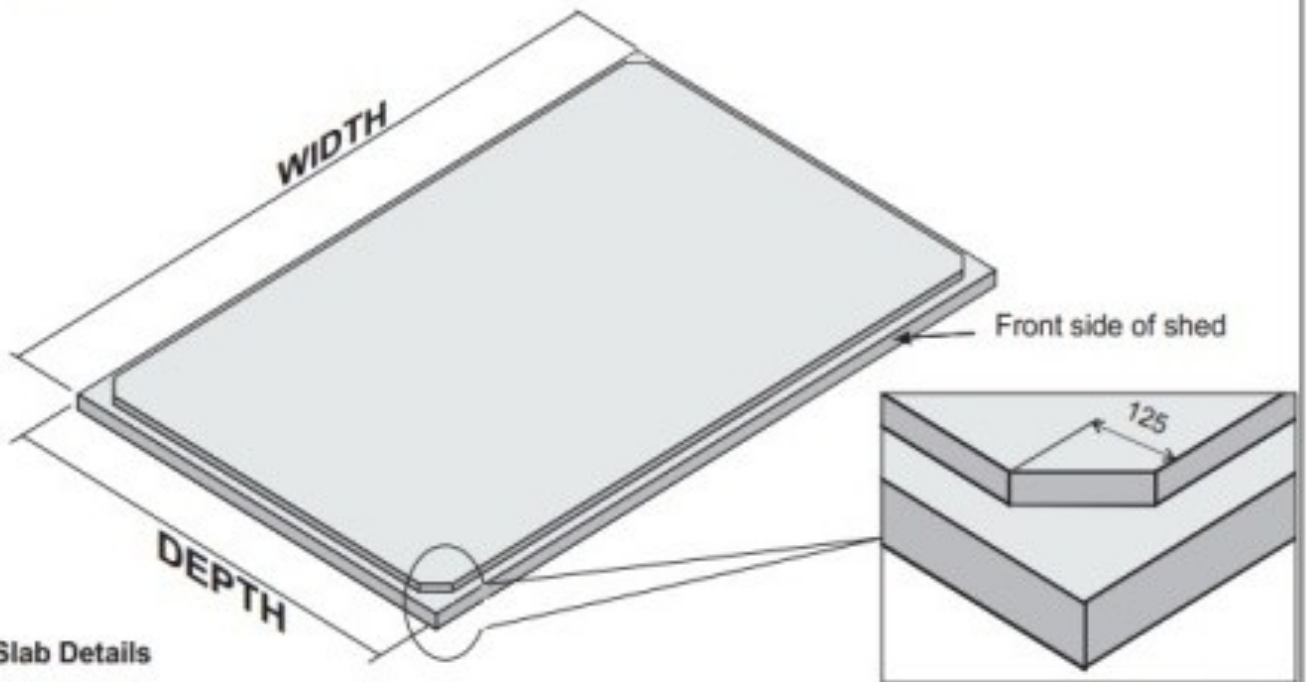
Recommended edge thickening



Recommended slab rebate detail

Although *not required*, it is strongly recommended that, to avoid water leakage around the base of your shed, a rebate be cast into the slab. This will allow the shed to sit below the slab level and prevent water from reaching the upper level of the slab.

If you planning a rebated slab make sure to cut the 4 corners at $125 \times 45^\circ$ as shown in detail below.



Slab Details

Your garden shed must be erected on a solid, level and square foundation. We strongly recommend you pour a concrete slab 75mm thick, reinforced with SL62 mesh (minimum) using dimensions from the table below.

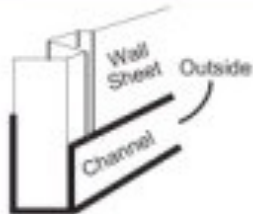
Masonry anchors are supplied

SHED CODE	OUTER SLAB SIZE width x depth	ANCHORS M8 x 40mm
42	1510mm x 820mm	4

REAR WALL PANEL



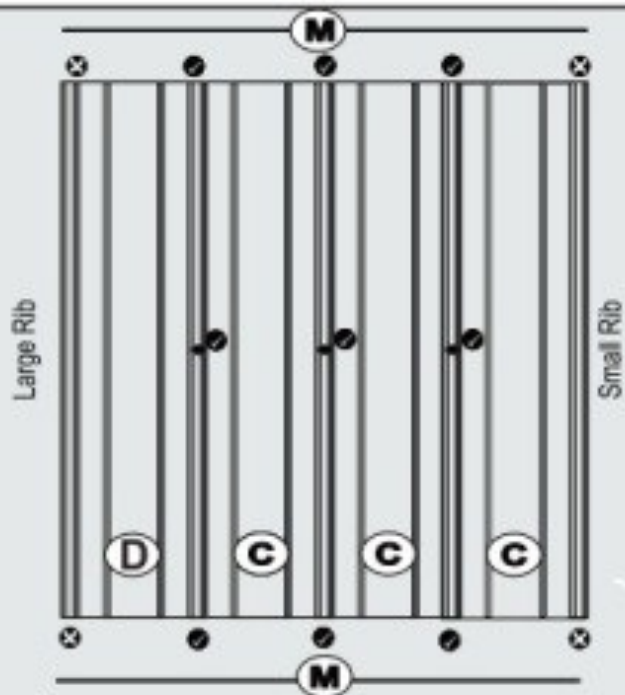
If you are having trouble screwing the channel to the sheets, chock behind the hole.



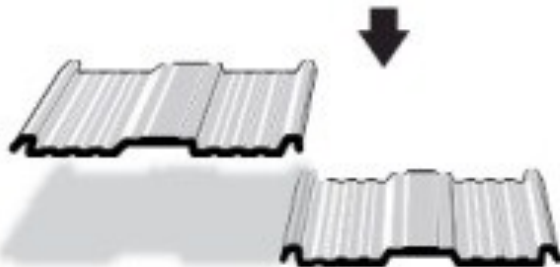
Ensure that the small lip of the channel is to the outside of the shed.



Fit the top and bottom channel to the wall panels. Ensure the channel is flush with the edge of the sheets. Do not screw the ends of the channel to the sheets at this point.



1



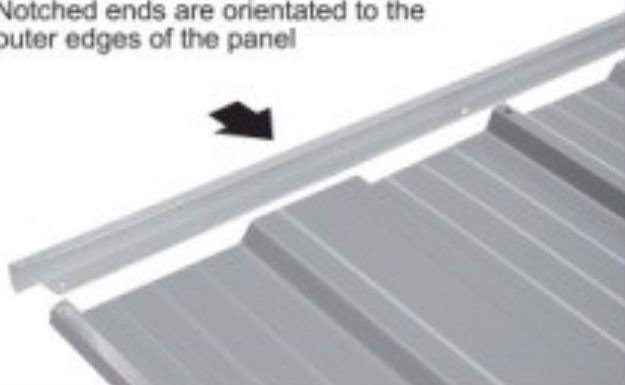
Lay the wall panels out with the large rib overlapping the small.



Screw the wall panels in the centre of the rib as shown.

2

Notched ends are orientated to the outer edges of the panel



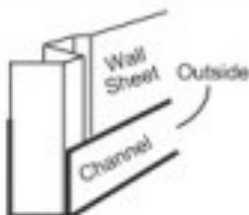
Do not screw here yet



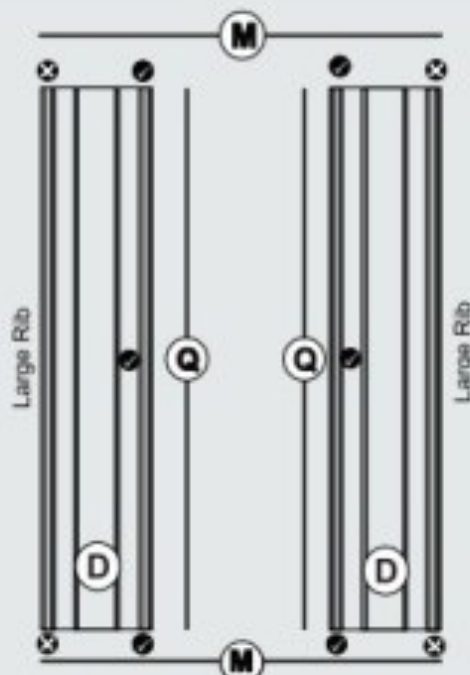
FRONT WALL PANEL



If you are having trouble screwing the channel to the sheets, chock behind the hole .



Ensure that the small lip of the channel is to the outside of the shed.



Fit the top and bottom channel and door jambs to the wall panels. It is key to ensure the large rib on the sheets is to the outside of the front wall panel and the channel is flush with the edge of the sheets. Do not screw the ends of the channel to the sheets at this point.

1

Notched ends are orientated to the outer edges of the panel



Do not screw here yet

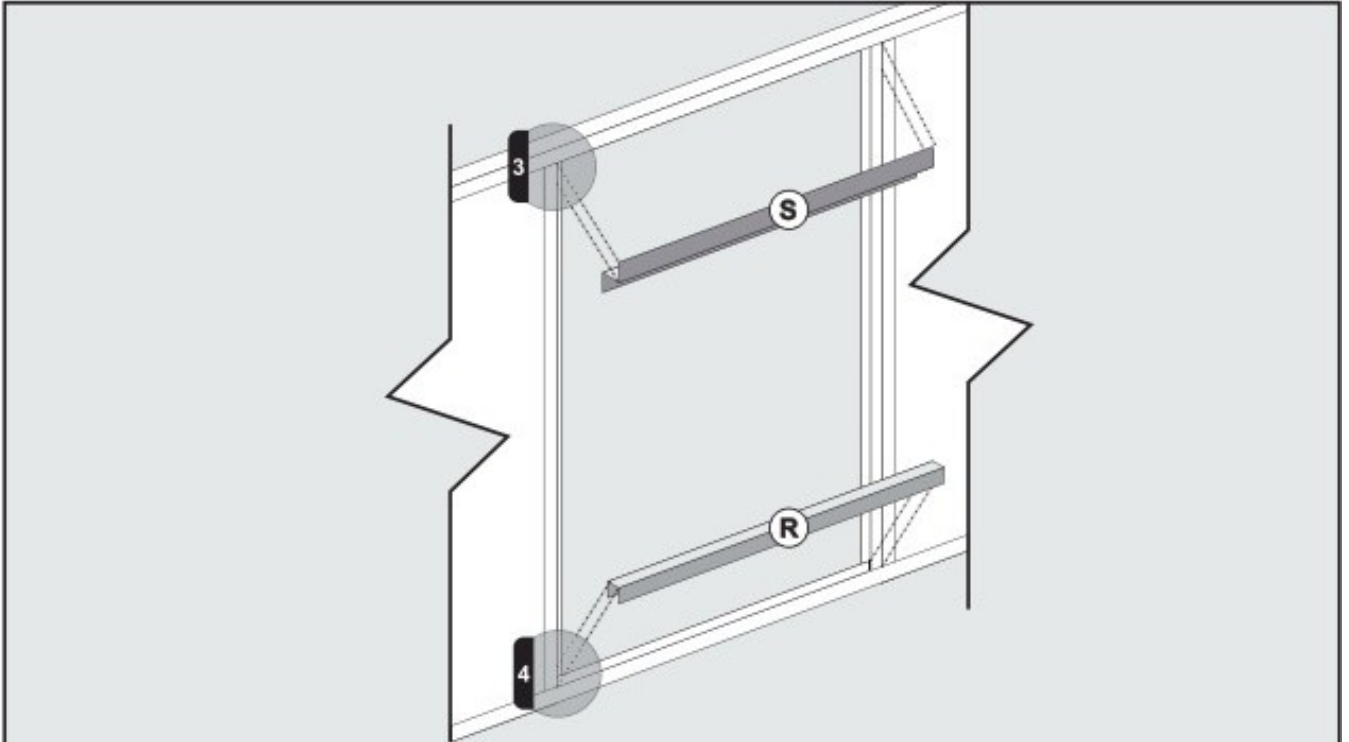


2

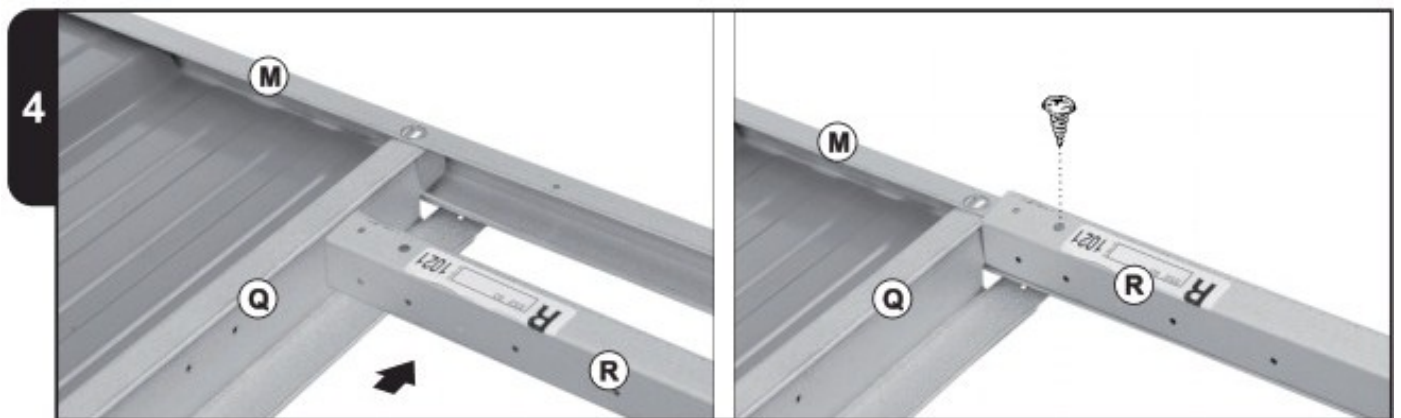
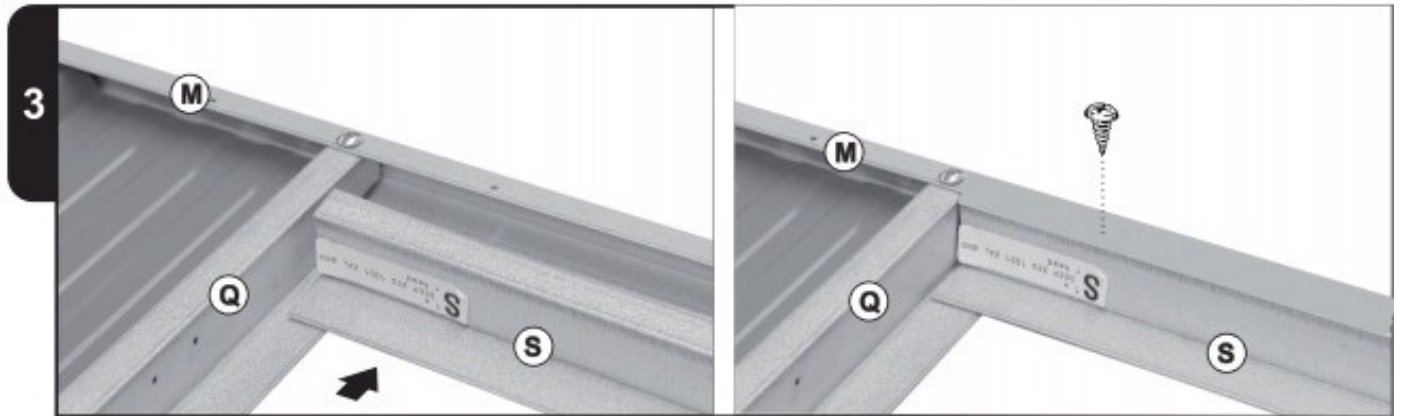
Top and bottom door jamb connection.



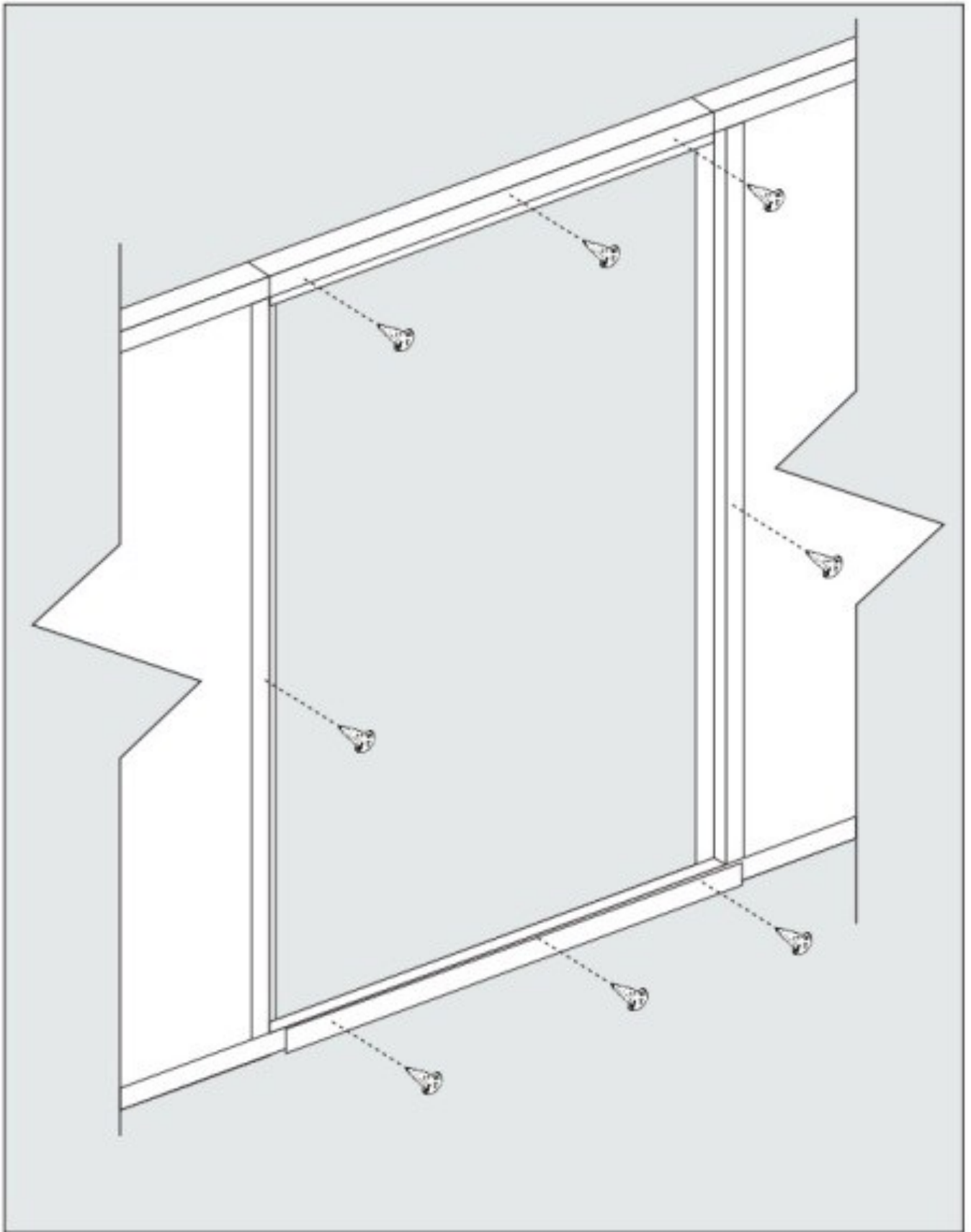
FRONT WALL PANEL



Fit the top door spacer and the bottom door spacer to the front wall panel as shown. Some pilot holes may need to be drilled with the included 2.5mm drill bit



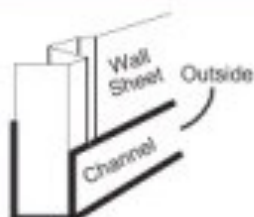
FRONT WALL PANEL



SKILLION WALL PANELS



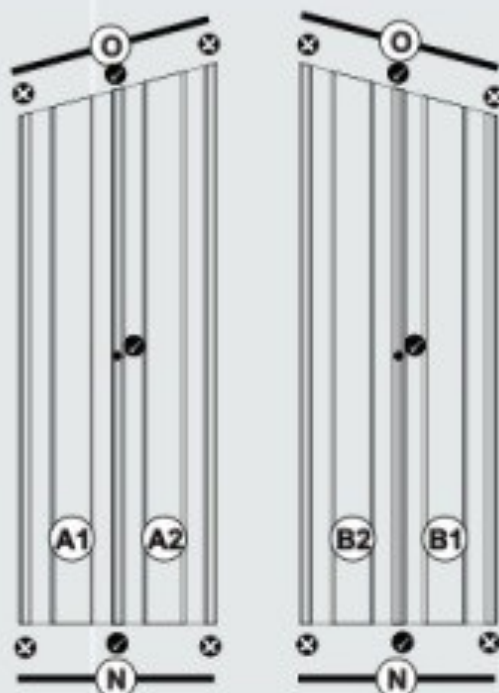
If you are having trouble screwing the channel to the sheets, chock behind the hole.



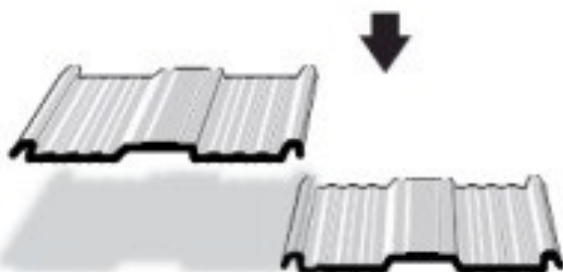
Ensure that the small lip of the channel is to the outside of the shed.



Fit the top and bottom channel to the wall panels. Ensure the channel is flush with the edge of the sheets. Do not screw the ends of the channel to the sheets at this point.



1



Lay the wall panels out with the large rib overlapping the small.



Screw the wall panels in the centre of the rib as shown.

2

Notched ends are orientated to the outer edges of the panel

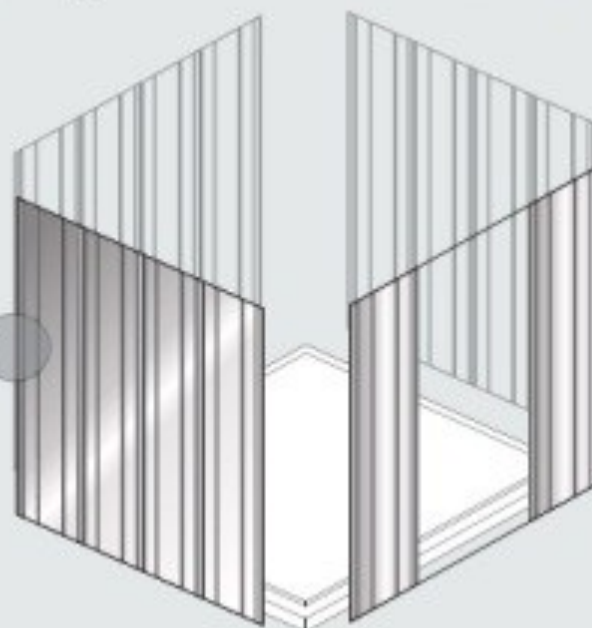
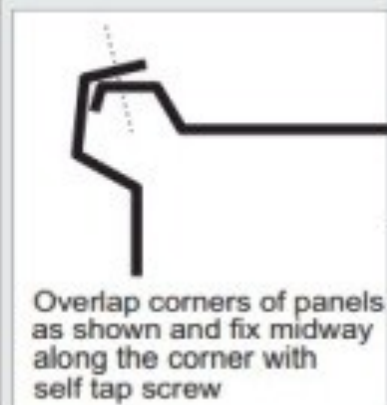


Do not screw here yet

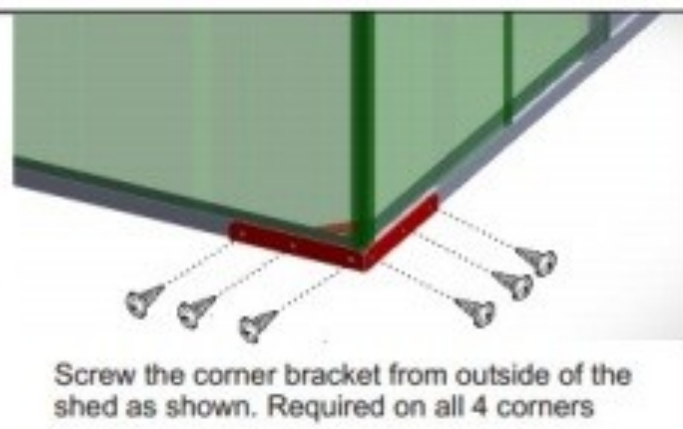
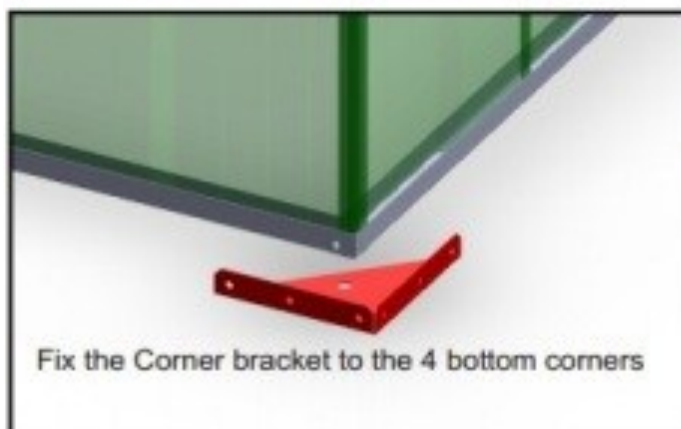


STAND AND JOIN WALL PANELS

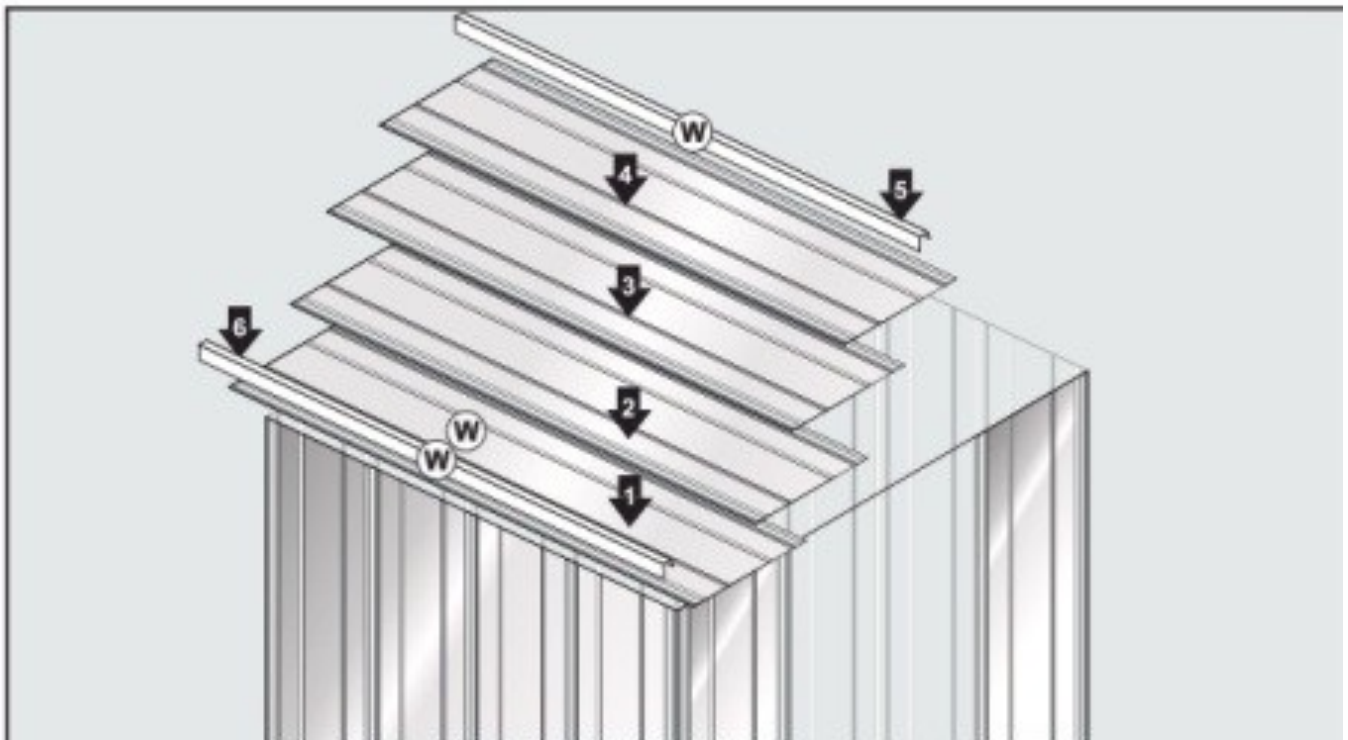
NOTE: The diagram below shows a 44 flat roof shed. The assembly process is the same for all flat roof sizes.



Once the four wall panels are assembled, they can now be stood and fixed together. Fix using the corner brackets and screws as shown below. Fix the front panel last. N.B when assembling large wall models, eg. 7 panels width and above, extra care should be taken, with person two providing adequate support to stop the wall from distorting.



FIT ROOF



Once the four wall panels are fixed together, the roof Sheets can now be fixed one by one as shown to the shed. Be sure to check again that the shed is in square then lift the roof into place and fix with roof angle and screws as shown below. The holes on the roof sheets align with the channel on top of the front wall.

1



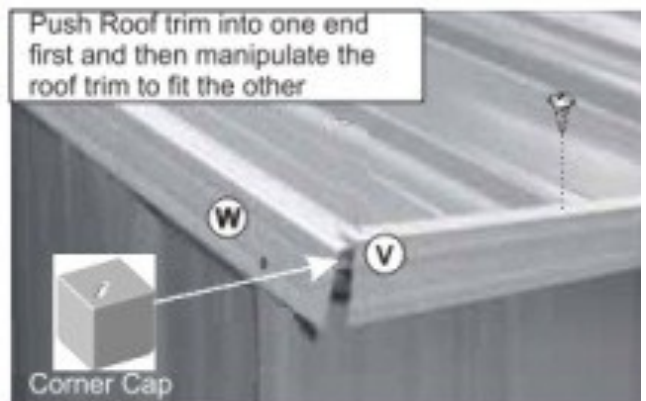
Place the roof onto the top frame. The two holes in the bottom of the roof sheet line up with the rear wall top frame of the shed as shown left.

Then use one screw at the front of the roof sheet. This attaches to the front top frame.

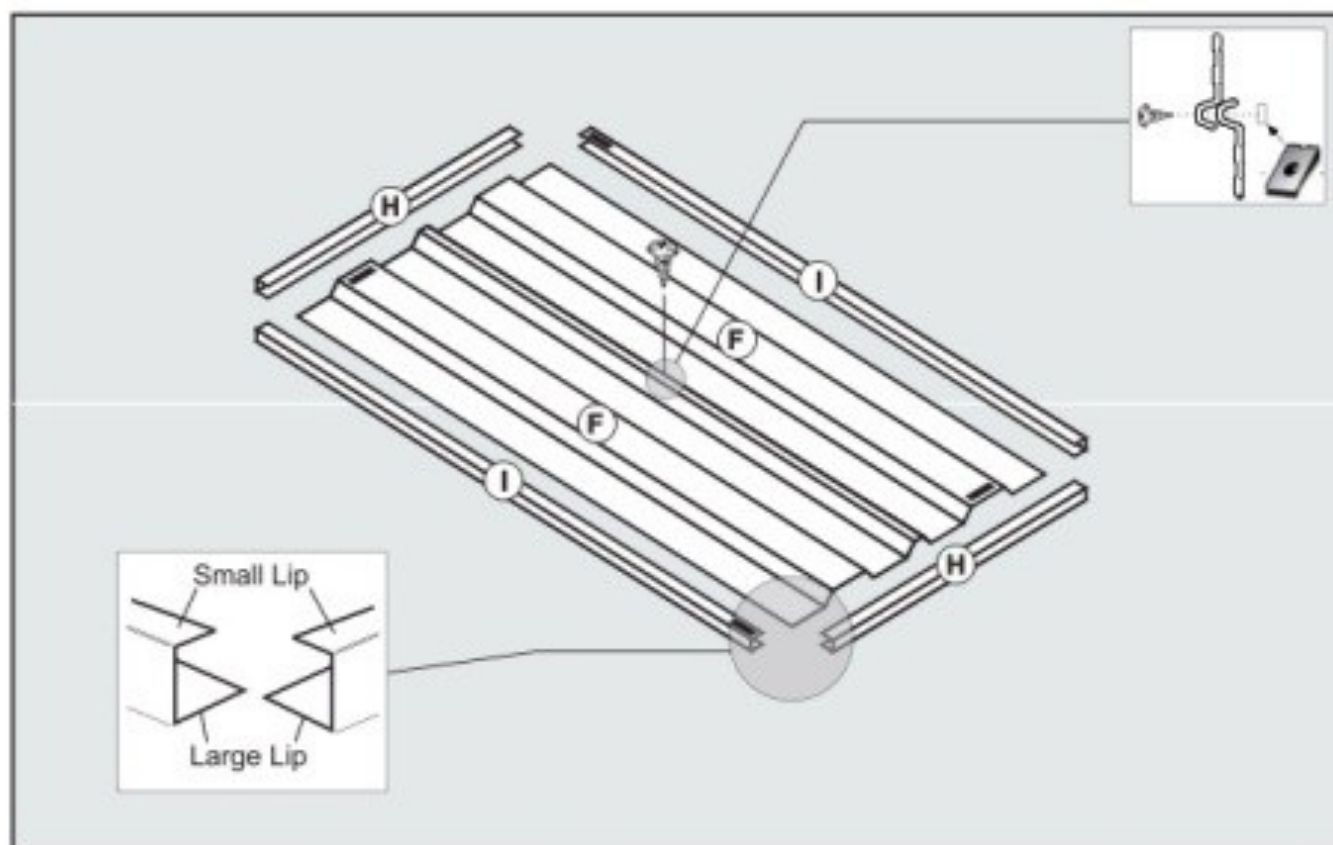
2



Push Roof trim into one end first and then manipulate the roof trim to fit the other



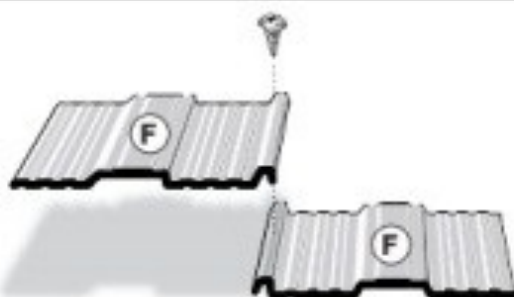
ASSEMBLE DOOR



1



Both of the door sheets come with one rib partially slit. Break them off and discard them.



Screw the sheets in the centre.

2

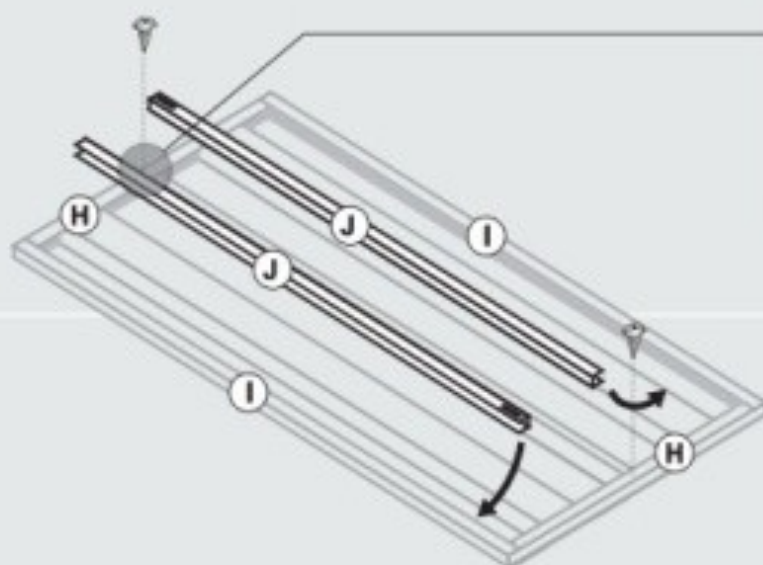
Frames slide under the sheet as shown. Ensure the small lip of the frame is to the top.



Fix door frames with a screw in each corner. Ensure that the big hole sits over the small.



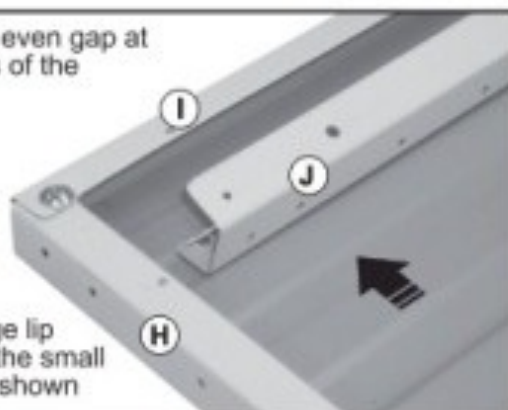
ASSEMBLE DOOR



Fix the frame H to the sheeting with screws through the small channel lips into the large sheeting ribs. Door boxing must be fitted to the door frame.

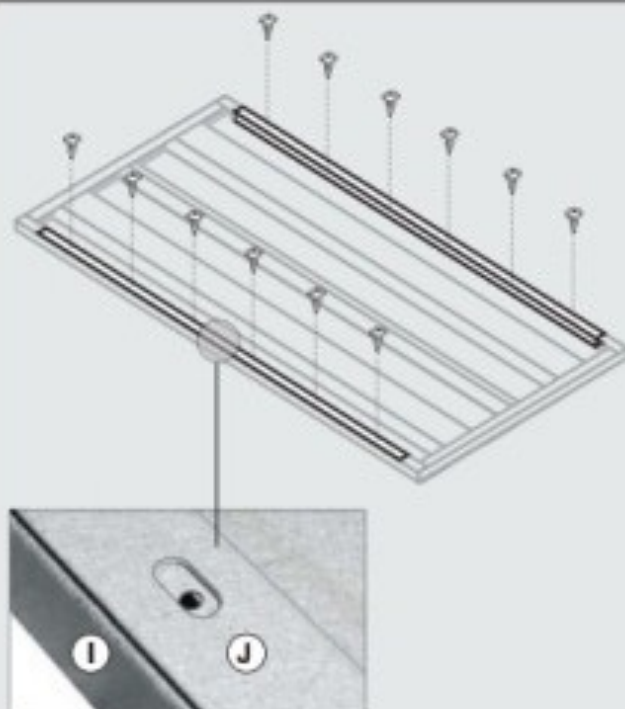
3

Leave an even gap at both ends of the boxing.



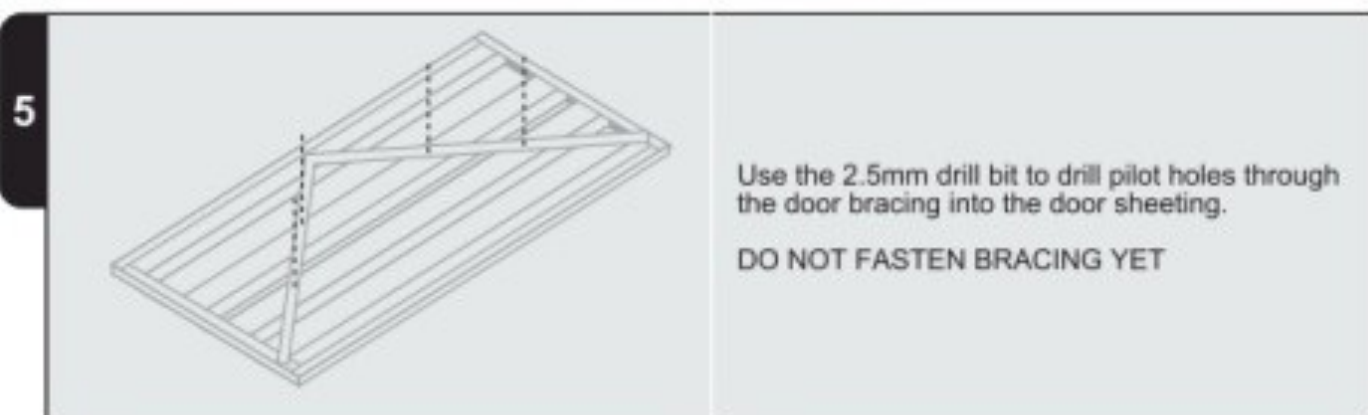
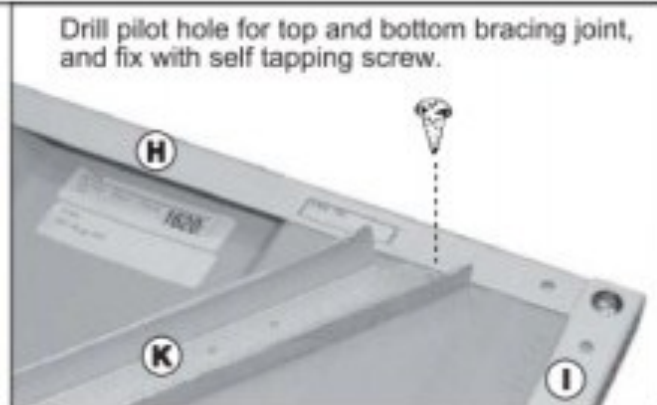
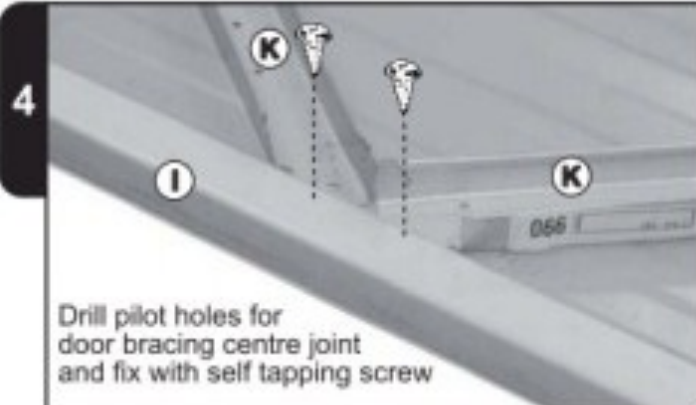
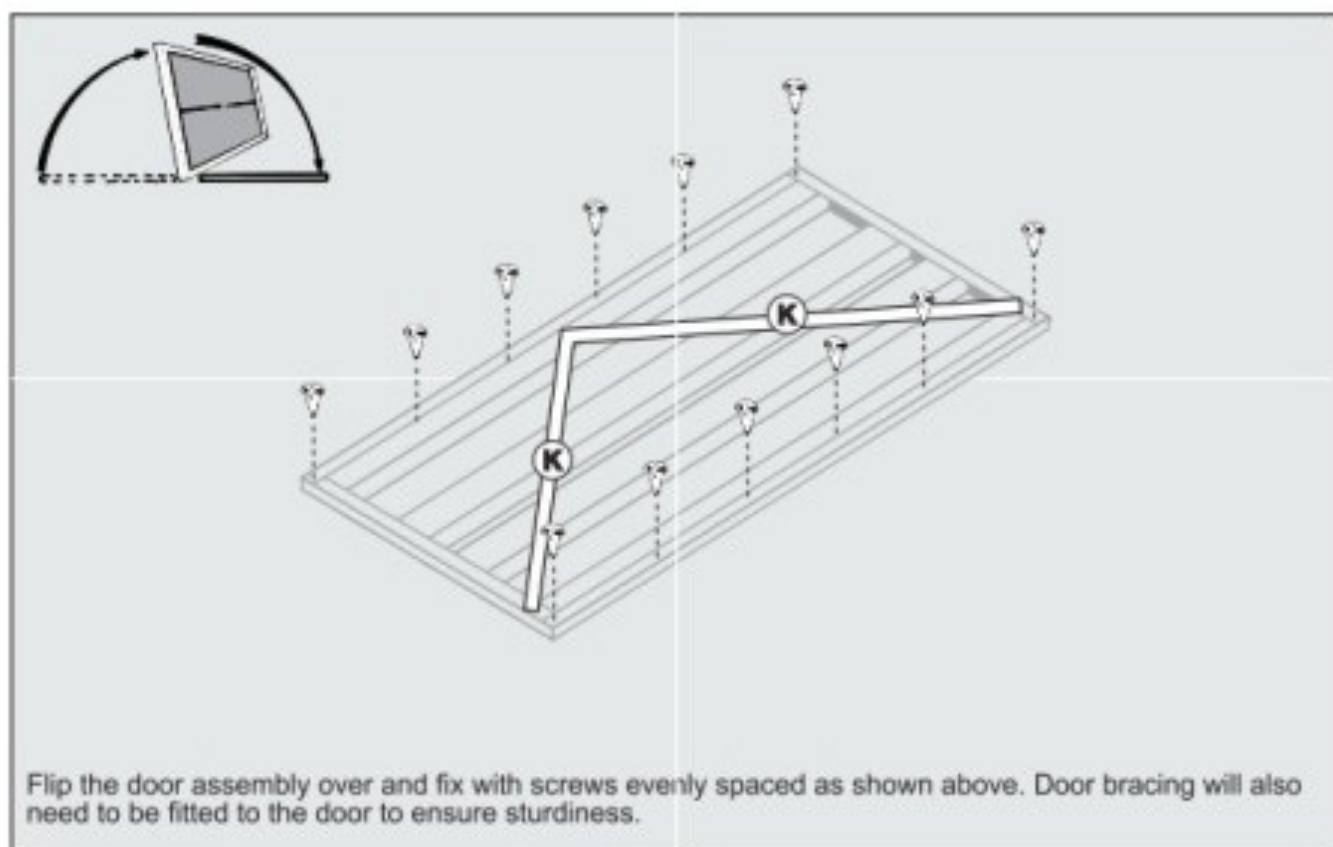
Place large lip of J over the small lip of I as shown

Screw the boxing to the frame as shown to the right

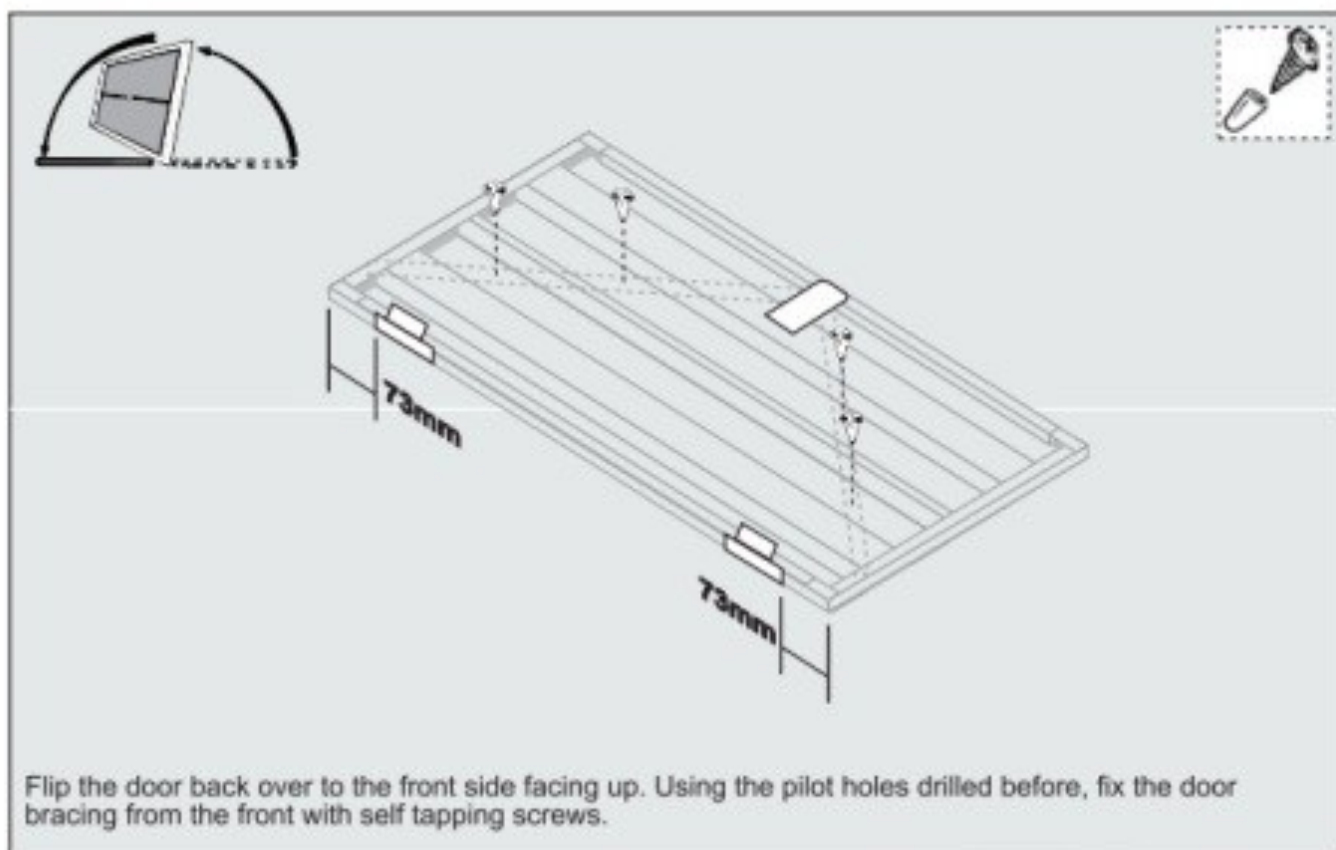


Fix both door boxing in place using six (6) screws.

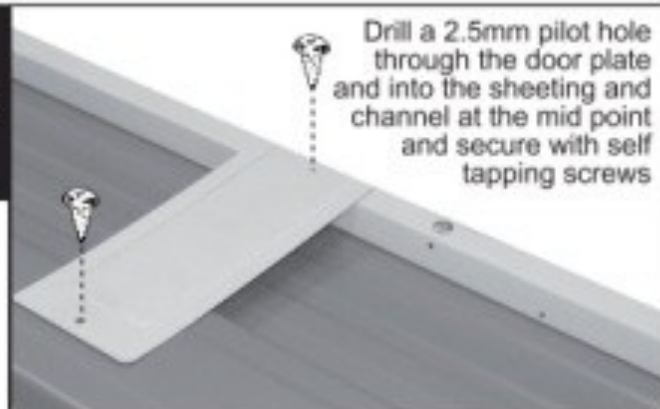
ASSEMBLE DOOR



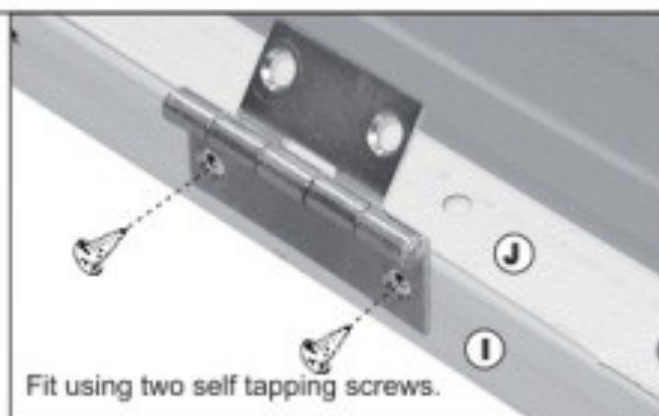
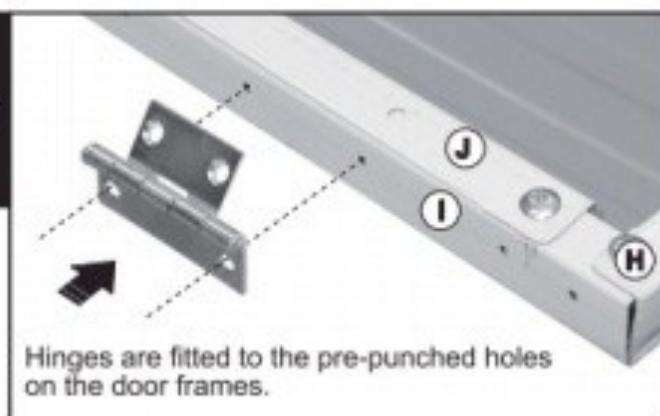
ASSEMBLE DOOR



6

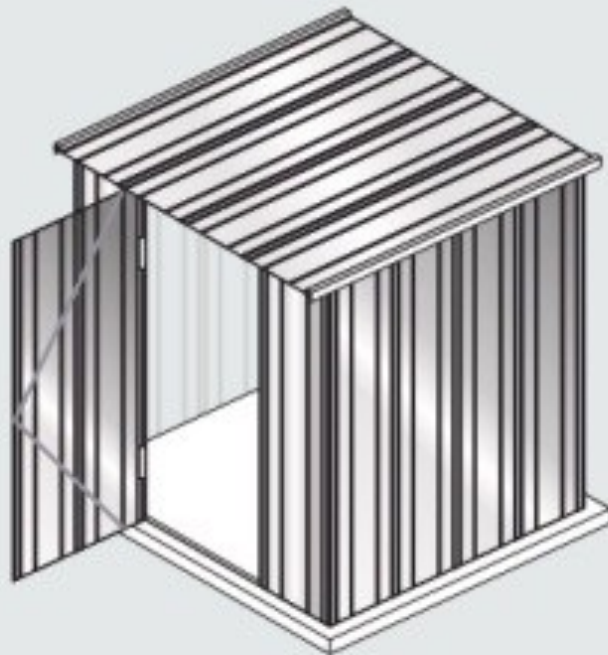


7



HANG DOOR

NOTE: The diagram below shows a 44 flat roof shed. The assembly process is the same for all sheds.



Fit the door to the left or right by fixing the hinges to the pre-drilled holes in the door jambs then fit the padbolt keeper.

1



2

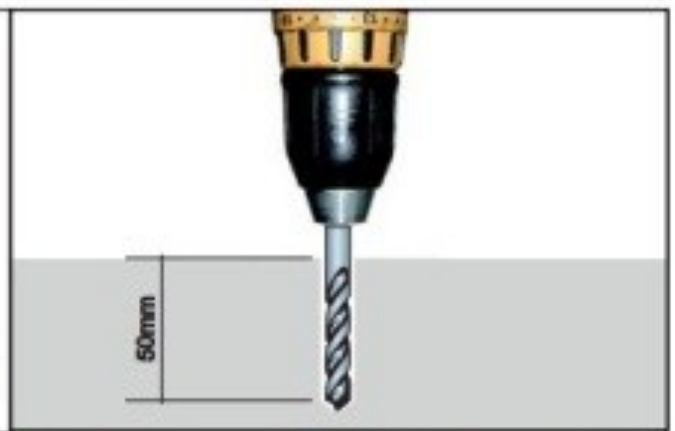
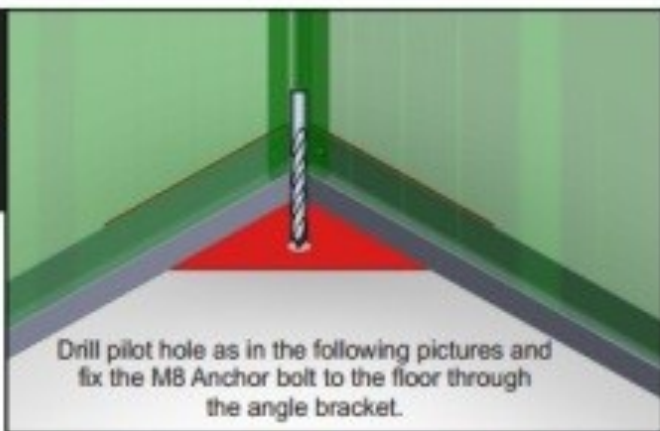


Drill pilot holes to accommodate the padbolt keeper and then fix with self tapping screws

BOLT DOWN



1



2

