

FASTTRAK

Simple, Strong,
Quick & Easy.

ASSEMBLY INSTRUCTIONS

G66



NOTES

BEFORE COMMENCING SHED ASSEMBLY, CHECK ALL PARTS. IF THERE IS A DISCREPANCY, PLEASE CALL YARDSAVER (SEE REAR OF INSTRUCTION BOOK)

DO NOT ASSEMBLE IN WINDY CONDITIONS



READ INSTRUCTIONS FIRST



2 PERSON ASSEMBLY



THE MANUFACTURERS CANNOT BE HELD RESPONSIBLE FOR ANY CONSEQUENCES DUE TO SHEDS THAT ARE NOT INSTALLED PER INSTRUCTIONS OR FOR DAMAGE DUE TO WEATHER CONDITIONS, ACTS OF GOD OR FOR SHEDS THAT ARE LEFT PARTIALLY ASSEMBLED OVERNIGHT. PARTS MAY CONTAIN SHARP EDGES & CORNERS. CARE MUST BE TAKEN WHEN HANDLING VARIOUS PIECES TO AVOID A MISHAP, FOR SAFETY SAKE, PLEASE USE A PAIR OF WORK GLOVES, EYE PROTECTION & PROTECTIVE CLOTHING WHEN ASSEMBLING OR PERFORMING ANY MAINTENANCE ON THE BUILDING.

TOOLS REQUIRED



Electric Drill



Cordless Drill



Measuring Tape



Screwdrivers



8mm Masonry Drill Bit



Shifting Spanner



Builders Pencil



Tin Snips
(some models only)



Rubber Mallet



Sturdy Ladder
(two if possible)



Gloves



Protective Eyewear

HANDY HINTS FOR CONSTRUCTION



Read instructions and check parts carefully before assembling the shed.



Please wear safety gloves and glasses at all times to protect against sharp metal edges.



Do not assemble in windy conditions as panels may be difficult to handle and damage may result.

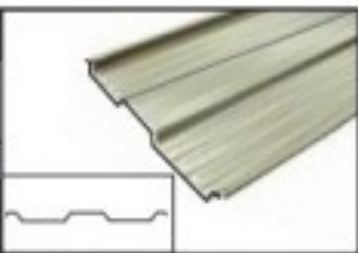

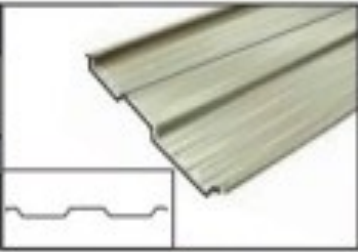

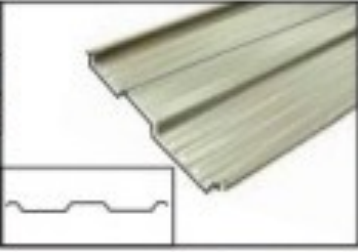






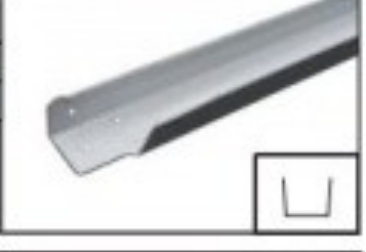




Do not back fill against the shed as this will result in corrosion. Allow drainage from the site.

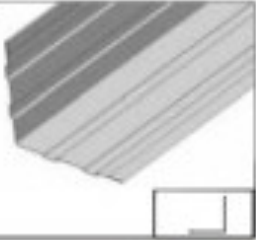
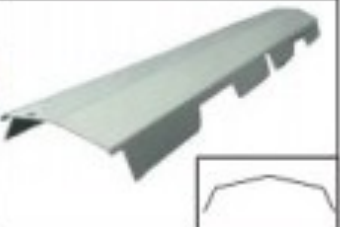


MOST PILOT HOLES ARE PRE-PUNCHED AND IN THIS CASE DRILLING HOLES IS NOT NECESSARY, HOWEVER SOME PILOT HOLES NEED TO BE DRILLED WITH THE INCLUDED 2.5MM DRILL BIT WHERE INDICATED

PARTS LIST

<table border="1"> <tr> <th colspan="3">PRODUCT NUMBERS</th> </tr> <tr> <td>A1</td> <td>A2</td> <td>A3</td> </tr> <tr> <td>A4</td> <td>A5</td> <td>A6</td> </tr> <tr> <td colspan="2">Quantity (total)</td> <td>6</td> </tr> <tr> <td colspan="3">Description: Gable Wall Panel</td> </tr> </table> 	PRODUCT NUMBERS			A1	A2	A3	A4	A5	A6	Quantity (total)		6	Description: Gable Wall Panel			<table border="1"> <tr> <th>PRODUCT ID</th> <td>H</td> </tr> <tr> <td>Length</td> <td>1008mm</td> </tr> <tr> <td>Quantity</td> <td>2</td> </tr> <tr> <td colspan="2">Description: Door Frame Top/Bottom</td> </tr> </table> 	PRODUCT ID	H	Length	1008mm	Quantity	2	Description: Door Frame Top/Bottom	
PRODUCT NUMBERS																								
A1	A2	A3																						
A4	A5	A6																						
Quantity (total)		6																						
Description: Gable Wall Panel																								
PRODUCT ID	H																							
Length	1008mm																							
Quantity	2																							
Description: Door Frame Top/Bottom																								
<table border="1"> <tr> <th colspan="3">PRODUCT NUMBERS</th> </tr> <tr> <td>B1</td> <td>B2</td> <td>B3</td> </tr> <tr> <td>B4</td> <td>B5</td> <td>B6</td> </tr> <tr> <td colspan="2">Quantity (total)</td> <td>6</td> </tr> <tr> <td colspan="3">Description: Gable Wall Panel</td> </tr> </table> 	PRODUCT NUMBERS			B1	B2	B3	B4	B5	B6	Quantity (total)		6	Description: Gable Wall Panel			<table border="1"> <tr> <th>PRODUCT ID</th> <td>I</td> </tr> <tr> <td>Length</td> <td>1742mm</td> </tr> <tr> <td>Quantity</td> <td>2</td> </tr> <tr> <td colspan="2">Description: Door Frame Side</td> </tr> </table> 	PRODUCT ID	I	Length	1742mm	Quantity	2	Description: Door Frame Side	
PRODUCT NUMBERS																								
B1	B2	B3																						
B4	B5	B6																						
Quantity (total)		6																						
Description: Gable Wall Panel																								
PRODUCT ID	I																							
Length	1742mm																							
Quantity	2																							
Description: Door Frame Side																								
<table border="1"> <tr> <th>PRODUCT ID</th> <td>C</td> </tr> <tr> <td>Length</td> <td>1800mm</td> </tr> <tr> <td>Quantity</td> <td>6</td> </tr> <tr> <td colspan="2">Description: Wall Panel</td> </tr> </table> 	PRODUCT ID	C	Length	1800mm	Quantity	6	Description: Wall Panel		<table border="1"> <tr> <th>PRODUCT ID</th> <td>J</td> </tr> <tr> <td>Length</td> <td>1706mm</td> </tr> <tr> <td>Quantity</td> <td>2</td> </tr> <tr> <td colspan="2">Description: Door Boxing</td> </tr> </table> 	PRODUCT ID	J	Length	1706mm	Quantity	2	Description: Door Boxing								
PRODUCT ID	C																							
Length	1800mm																							
Quantity	6																							
Description: Wall Panel																								
PRODUCT ID	J																							
Length	1706mm																							
Quantity	2																							
Description: Door Boxing																								
<table border="1"> <tr> <th>PRODUCT ID</th> <td>D</td> </tr> <tr> <td>Length</td> <td>1800mm</td> </tr> <tr> <td>Quantity</td> <td>3</td> </tr> <tr> <td colspan="2">Description: Wall Corner Panels</td> </tr> </table> 	PRODUCT ID	D	Length	1800mm	Quantity	3	Description: Wall Corner Panels		<table border="1"> <tr> <th>PRODUCT ID</th> <td>K</td> </tr> <tr> <td>Length</td> <td>1280mm</td> </tr> <tr> <td>Quantity</td> <td>2</td> </tr> <tr> <td colspan="2">Description: Door Bracing</td> </tr> </table> 	PRODUCT ID	K	Length	1280mm	Quantity	2	Description: Door Bracing								
PRODUCT ID	D																							
Length	1800mm																							
Quantity	3																							
Description: Wall Corner Panels																								
PRODUCT ID	K																							
Length	1280mm																							
Quantity	2																							
Description: Door Bracing																								
<table border="1"> <tr> <th>PRODUCT ID</th> <td>E</td> </tr> <tr> <td>Length</td> <td>1103mm</td> </tr> <tr> <td>Quantity</td> <td>12</td> </tr> <tr> <td colspan="2">Description: Roof Panels</td> </tr> </table> 	PRODUCT ID	E	Length	1103mm	Quantity	12	Description: Roof Panels		<table border="1"> <tr> <th>PRODUCT ID</th> <td>M</td> </tr> <tr> <td>Length</td> <td>2099mm</td> </tr> <tr> <td>Quantity</td> <td>4</td> </tr> <tr> <td colspan="2">Description: Top/Bottom Front/Rear Channel</td> </tr> </table> 	PRODUCT ID	M	Length	2099mm	Quantity	4	Description: Top/Bottom Front/Rear Channel								
PRODUCT ID	E																							
Length	1103mm																							
Quantity	12																							
Description: Roof Panels																								
PRODUCT ID	M																							
Length	2099mm																							
Quantity	4																							
Description: Top/Bottom Front/Rear Channel																								
<table border="1"> <tr> <th>PRODUCT ID</th> <td>F</td> </tr> <tr> <td>Length</td> <td>1738mm</td> </tr> <tr> <td>Quantity</td> <td>2</td> </tr> <tr> <td colspan="2">Description: Door Panel (Partially slit)</td> </tr> </table> 	PRODUCT ID	F	Length	1738mm	Quantity	2	Description: Door Panel (Partially slit)		<table border="1"> <tr> <th>PRODUCT ID</th> <td>N</td> </tr> <tr> <td>Length</td> <td>2099mm</td> </tr> <tr> <td>Quantity</td> <td>2</td> </tr> <tr> <td colspan="2">Description: Side Channel Gable Bottom</td> </tr> </table> 	PRODUCT ID	N	Length	2099mm	Quantity	2	Description: Side Channel Gable Bottom								
PRODUCT ID	F																							
Length	1738mm																							
Quantity	2																							
Description: Door Panel (Partially slit)																								
PRODUCT ID	N																							
Length	2099mm																							
Quantity	2																							
Description: Side Channel Gable Bottom																								
<table border="1"> <tr> <th>PRODUCT ID</th> <td>G</td> </tr> <tr> <td>Length</td> <td>1738mm</td> </tr> <tr> <td>Quantity</td> <td>1</td> </tr> <tr> <td colspan="2">Description: Door Panel Centre</td> </tr> </table> 	PRODUCT ID	G	Length	1738mm	Quantity	1	Description: Door Panel Centre		<table border="1"> <tr> <th>PRODUCT ID</th> <td>O</td> </tr> <tr> <td>Length</td> <td>1060mm</td> </tr> <tr> <td>Quantity</td> <td>2</td> </tr> <tr> <td colspan="2">Description: Side Channel Gable Top</td> </tr> </table> 	PRODUCT ID	O	Length	1060mm	Quantity	2	Description: Side Channel Gable Top								
PRODUCT ID	G																							
Length	1738mm																							
Quantity	1																							
Description: Door Panel Centre																								
PRODUCT ID	O																							
Length	1060mm																							
Quantity	2																							
Description: Side Channel Gable Top																								

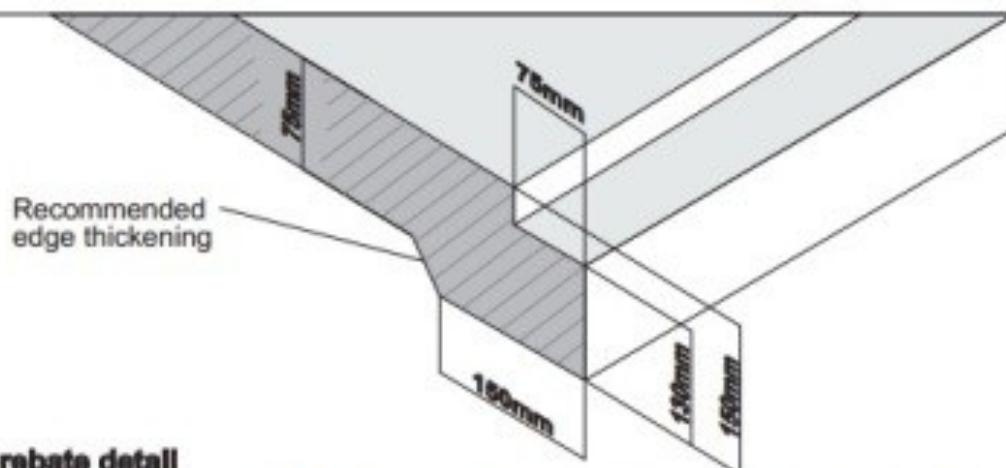
PARTS LIST

<table border="1"> <tr><td>PRODUCT ID</td><td>P</td></tr> <tr><td>Length</td><td>1064mm</td></tr> <tr><td>Quantity</td><td>2</td></tr> <tr><td>Description:</td><td>Side Channel Gable Top</td></tr> </table>	PRODUCT ID	P	Length	1064mm	Quantity	2	Description:	Side Channel Gable Top		<table border="1"> <tr><td>PRODUCT ID</td><td>V</td></tr> <tr><td>Length (spliced)</td><td>2096mm</td></tr> <tr><td>Quantity</td><td>2</td></tr> <tr><td>Description:</td><td>Gutter Trim</td></tr> </table>	PRODUCT ID	V	Length (spliced)	2096mm	Quantity	2	Description:	Gutter Trim	
PRODUCT ID	P																		
Length	1064mm																		
Quantity	2																		
Description:	Side Channel Gable Top																		
PRODUCT ID	V																		
Length (spliced)	2096mm																		
Quantity	2																		
Description:	Gutter Trim																		
<table border="1"> <tr><td>PRODUCT ID</td><td>Q</td></tr> <tr><td>Length</td><td>1800mm</td></tr> <tr><td>Quantity</td><td>2</td></tr> <tr><td>Description:</td><td>Door Jamb</td></tr> </table>	PRODUCT ID	Q	Length	1800mm	Quantity	2	Description:	Door Jamb		<table border="1"> <tr><td>PRODUCT ID</td><td>W</td></tr> <tr><td>Length</td><td>1095mm</td></tr> <tr><td>Quantity</td><td>2</td></tr> <tr><td>Description:</td><td>Roof Angle Trim</td></tr> </table>	PRODUCT ID	W	Length	1095mm	Quantity	2	Description:	Roof Angle Trim	
PRODUCT ID	Q																		
Length	1800mm																		
Quantity	2																		
Description:	Door Jamb																		
PRODUCT ID	W																		
Length	1095mm																		
Quantity	2																		
Description:	Roof Angle Trim																		
<table border="1"> <tr><td>PRODUCT ID</td><td>R</td></tr> <tr><td>Length</td><td>1021mm</td></tr> <tr><td>Quantity</td><td>1</td></tr> <tr><td>Description:</td><td>Bottom Door Spacer</td></tr> </table>	PRODUCT ID	R	Length	1021mm	Quantity	1	Description:	Bottom Door Spacer		<table border="1"> <tr><td>PRODUCT ID</td><td>W</td></tr> <tr><td>Length</td><td>1092mm</td></tr> <tr><td>Quantity</td><td>2</td></tr> <tr><td>Description:</td><td>Roof Angle Trim</td></tr> </table>	PRODUCT ID	W	Length	1092mm	Quantity	2	Description:	Roof Angle Trim	
PRODUCT ID	R																		
Length	1021mm																		
Quantity	1																		
Description:	Bottom Door Spacer																		
PRODUCT ID	W																		
Length	1092mm																		
Quantity	2																		
Description:	Roof Angle Trim																		
<table border="1"> <tr><td>PRODUCT ID</td><td>S</td></tr> <tr><td>Length</td><td>1021mm</td></tr> <tr><td>Quantity</td><td>1</td></tr> <tr><td>Description:</td><td>Top Door Spacer</td></tr> </table>	PRODUCT ID	S	Length	1021mm	Quantity	1	Description:	Top Door Spacer		<table border="1"> <tr><td>Quantity</td><td>400</td></tr> <tr><td>Description:</td><td>Self Tapping Screws - Silver</td></tr> </table>	Quantity	400	Description:	Self Tapping Screws - Silver					
PRODUCT ID	S																		
Length	1021mm																		
Quantity	1																		
Description:	Top Door Spacer																		
Quantity	400																		
Description:	Self Tapping Screws - Silver																		
<table border="1"> <tr><td>PRODUCT ID</td><td>T</td></tr> <tr><td>Length</td><td>1364mm</td></tr> <tr><td>Quantity</td><td>2</td></tr> <tr><td>Description:</td><td>Ridge Beam</td></tr> </table>	PRODUCT ID	T	Length	1364mm	Quantity	2	Description:	Ridge Beam		<table border="1"> <tr><td>Quantity</td><td>1</td></tr> <tr><td>Description:</td><td>2.5mm Drill Bit</td></tr> </table>	Quantity	1	Description:	2.5mm Drill Bit					
PRODUCT ID	T																		
Length	1364mm																		
Quantity	2																		
Description:	Ridge Beam																		
Quantity	1																		
Description:	2.5mm Drill Bit																		
<table border="1"> <tr><td>PRODUCT ID</td><td>T</td></tr> <tr><td>Length</td><td>1018mm</td></tr> <tr><td>Quantity</td><td>2</td></tr> <tr><td>Description:</td><td>Ridge Beam</td></tr> </table>	PRODUCT ID	T	Length	1018mm	Quantity	2	Description:	Ridge Beam		<table border="1"> <tr><td>Quantity</td><td>2</td></tr> <tr><td>Description:</td><td>Hinges (offset)</td></tr> </table>	Quantity	2	Description:	Hinges (offset)					
PRODUCT ID	T																		
Length	1018mm																		
Quantity	2																		
Description:	Ridge Beam																		
Quantity	2																		
Description:	Hinges (offset)																		
<table border="1"> <tr><td>PRODUCT ID</td><td>U</td></tr> <tr><td>Length</td><td>708mm</td></tr> <tr><td>Quantity</td><td>3</td></tr> <tr><td>Description:</td><td>Ridge Cap</td></tr> </table>	PRODUCT ID	U	Length	708mm	Quantity	3	Description:	Ridge Cap		<table border="1"> <tr><td>Quantity</td><td>1</td></tr> <tr><td>Description:</td><td>Padbolt</td></tr> </table>	Quantity	1	Description:	Padbolt					
PRODUCT ID	U																		
Length	708mm																		
Quantity	3																		
Description:	Ridge Cap																		
Quantity	1																		
Description:	Padbolt																		

PARTS LIST

Quantity 1 Description: Keeper		Quantity 10 Description: Nut & Bolt 3/16"	
Quantity 2 Description: Plastic Washer and Screw Cap Sheet		Quantity 2 Description: Ridge Beam Bracket	
Quantity 4 Description: Plastic Corner Cap		Quantity 9 Description: Masonry Anchor	
Quantity 2 Description: Plastic Ridge End Cap		Quantity 1 Description: Door Plate	
Quantity 4 Description: Corner Bracket		Quantity 2 Description: Clip Nut	
Quantity 5 Description: 55mm Bracket		Quantity 1 Description: Phillips Head Bit	

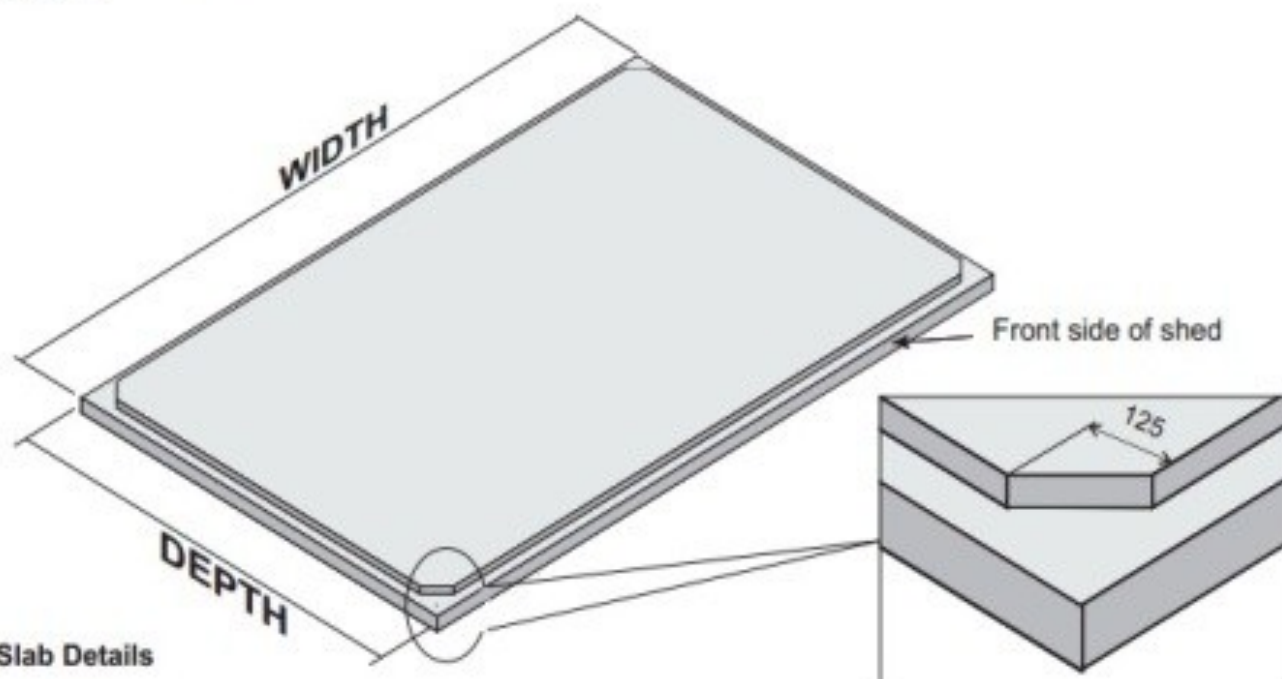
FOUNDATION



Recommended slab rebate detail

Although *not required*, it is strongly recommended that, to avoid water leakage around the base of your shed, a rebate be cast into the slab. This will allow the shed to sit below the slab level and prevent water from reaching the upper level of the slab.

If you planning a rebated slab make sure to cut the 4 corners at $125 \times 45^\circ$ as shown in detail below.



Slab Details

Your garden shed must be erected on a solid, level and square foundation. We strongly recommend you pour a concrete slab 75mm thick, reinforced with SL62 mesh (minimum) using dimensions from the table below.

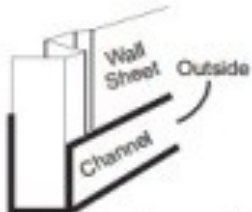
Masonry anchors are supplied

SHED CODE	OUTER SLAB SIZE width x depth	ANCHORS M8 x 40mm
66	2205mm x 2205mm	9

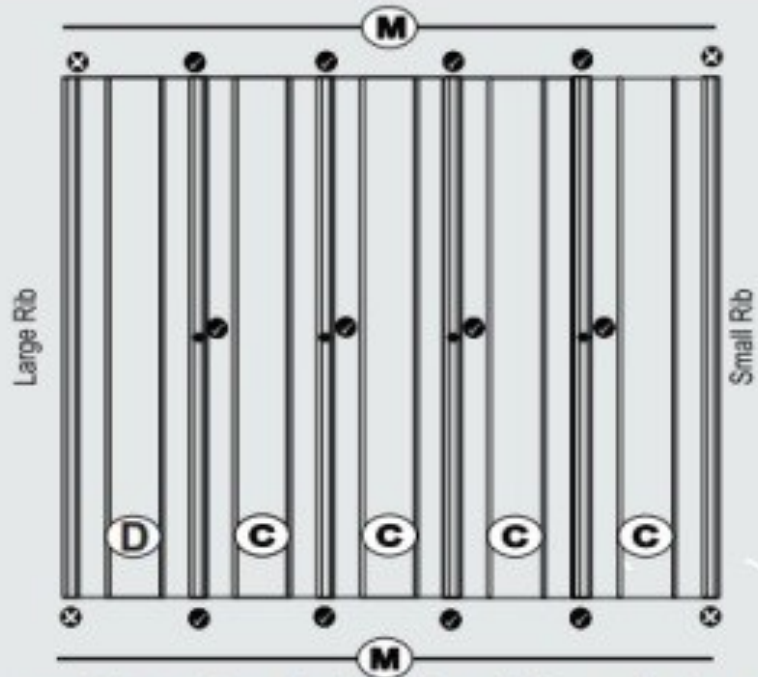
REAR WALL PANEL



If you are having trouble screwing the channel to the sheets, chock behind the hole.

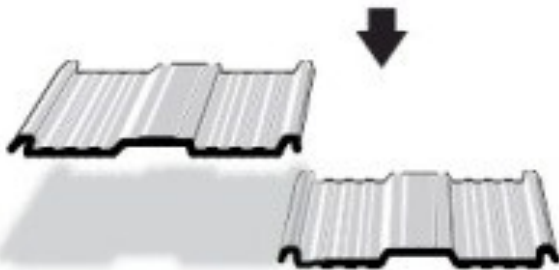


Ensure that the small lip of the channel is to the outside of the shed.



Fit the top and bottom channel to the wall panels. Ensure the channel is flush with the edge of the sheets. Do not screw the ends of the channel to the sheets at this point.

1



Lay the wall panels out with the large rib overlapping the small.



Screw the wall panels in the centre of the rib as shown.

2

Notched ends are orientated to the outer edges of the panel



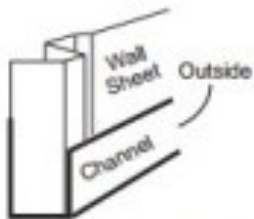
Do not screw here yet



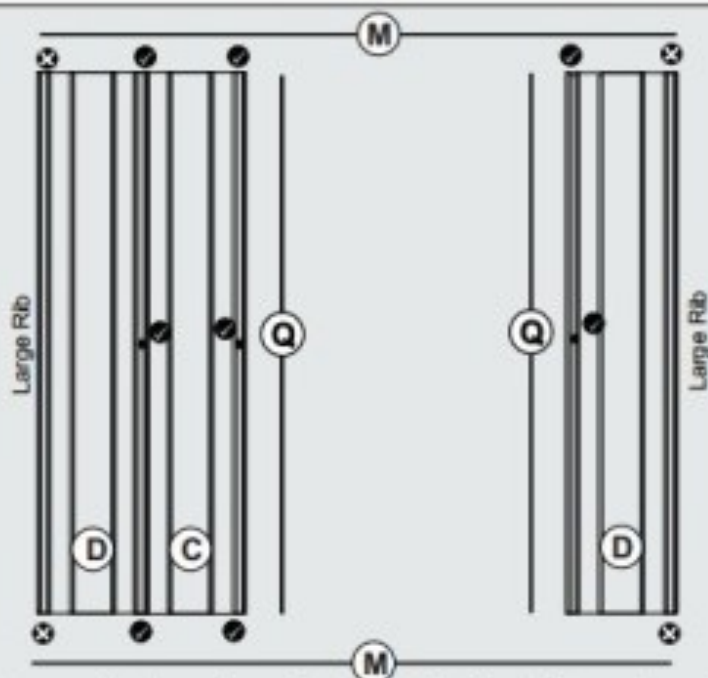
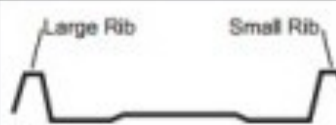
FRONT WALL PANEL



If you are having trouble screwing the channel to the sheets, chock behind the hole .



Ensure that the small lip of the channel is to the outside of the shed.



Fit the top and bottom channel and door jambs to the wall panels. Ensure the large rib on the sheets is to the left on the left side of the door and to the right on the right side of the door. Also ensure the channel is flush with the edge of the sheets. Do not screw the ends of the channel to the sheets at this point.

1 Notched ends are orientated to the outer edges of the panel

1



Large Lip overlaps Small Lip when fastening sheet to sheet

Do not screw here yet

X

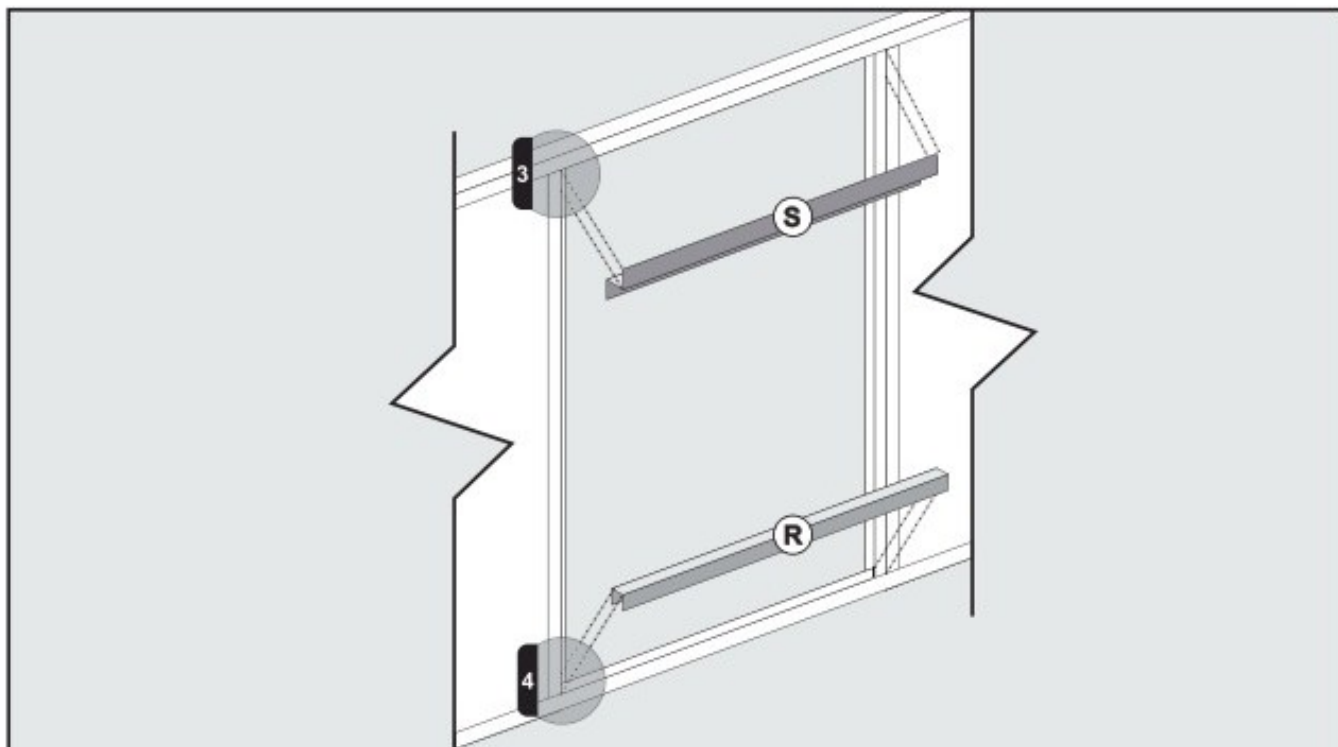


2 Top and bottom door jamb connection.

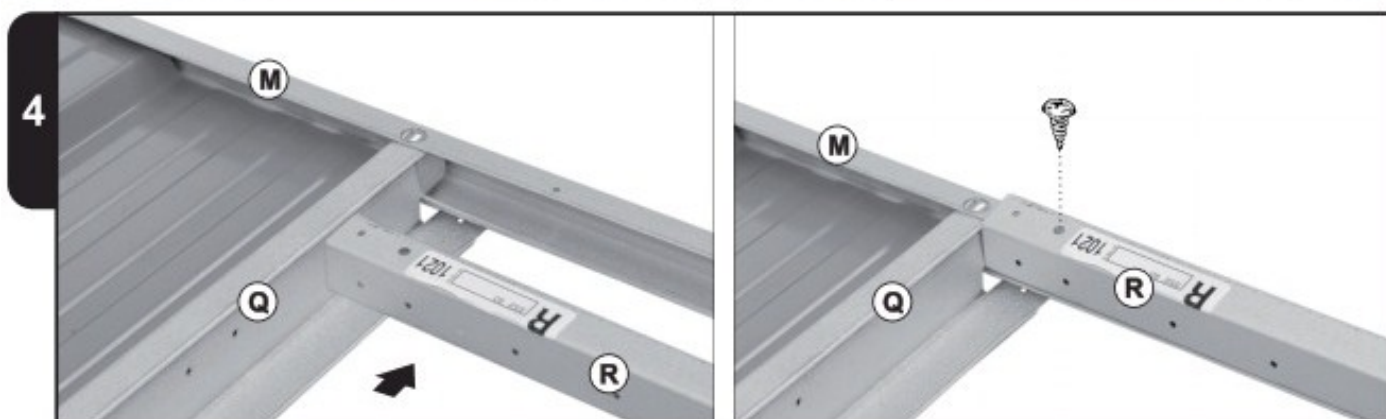
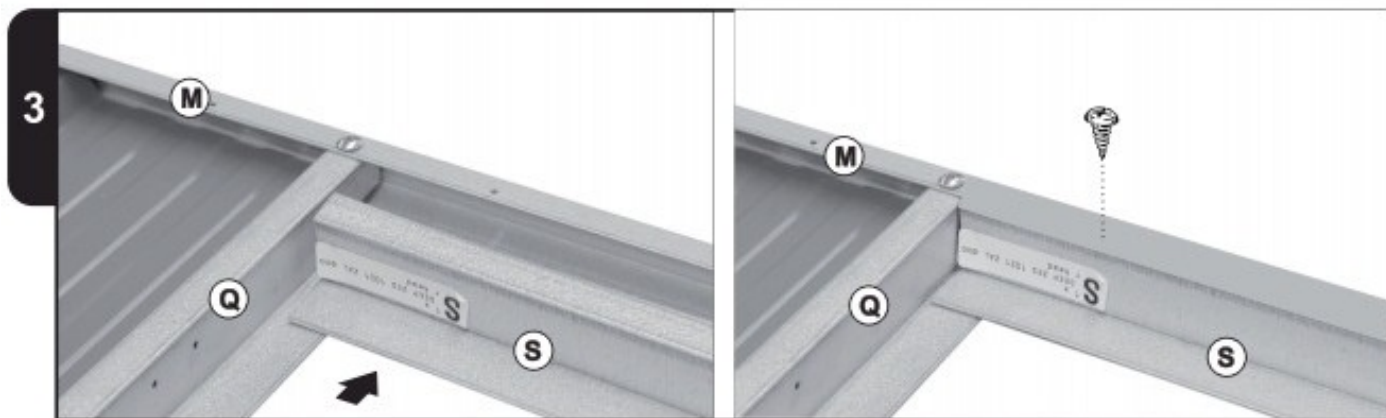
2



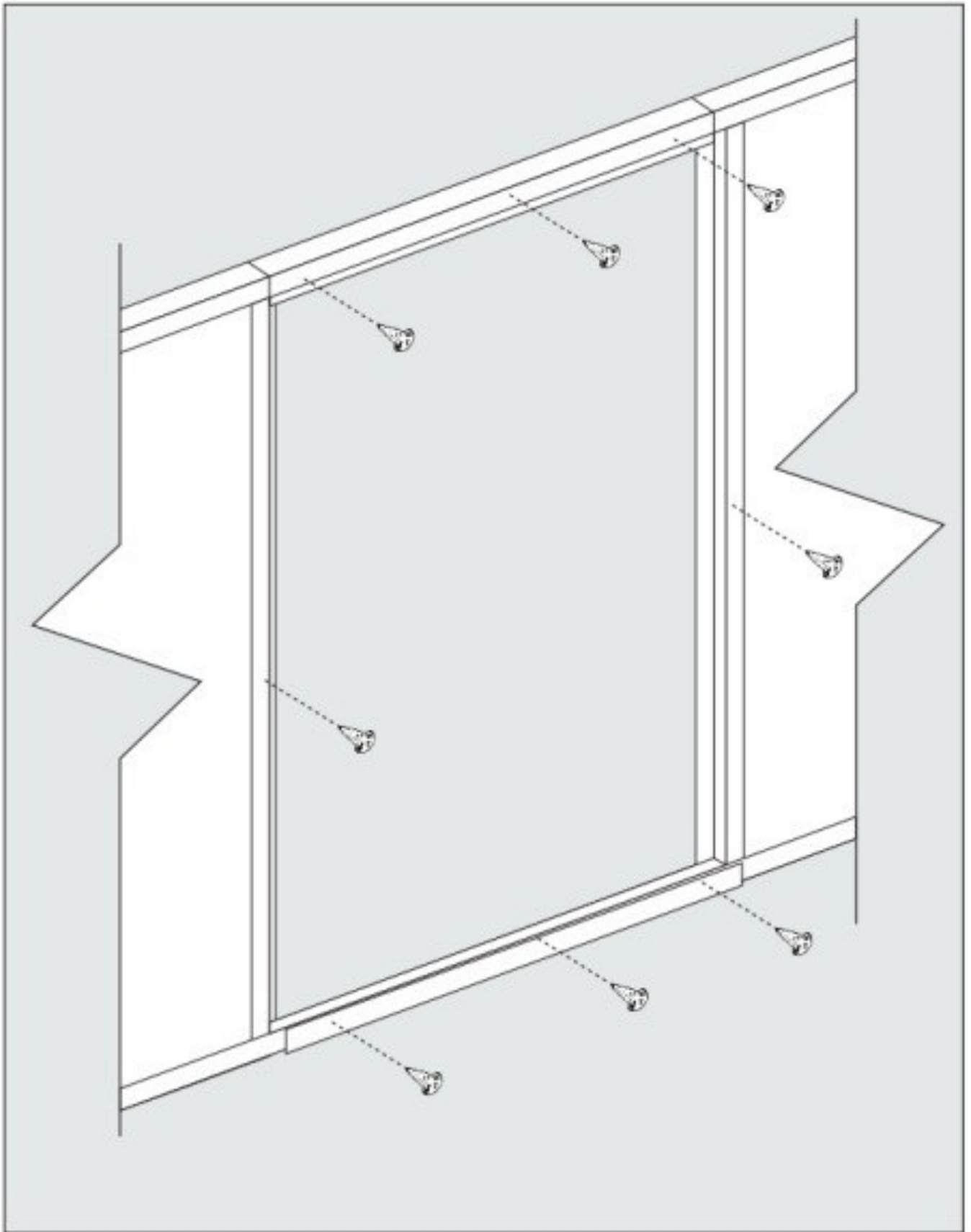
FRONT WALL PANEL



Fit the top door spacer and the bottom door spacer to the front wall panel as shown. Some pilot holes may need to be drilled with the included 2.5mm drill bit



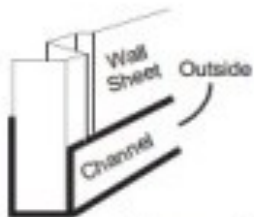
FRONT WALL PANEL



GABLE WALL PANELS



If you are having trouble screwing the channel to the sheets, chock behind the hole .



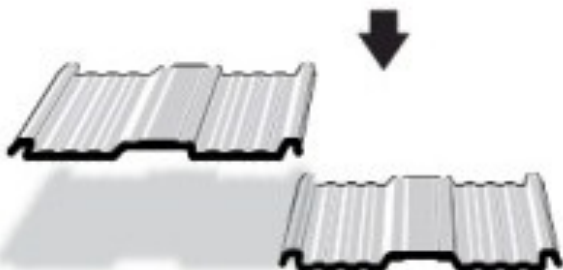
Ensure that the small lip of the channel is to the outside of the shed.



(A) Left Gable Panel Labels, (B) Right Gable Panel Labels

Fit the top and bottom channel to the wall panels. Ensure the channel is flush with the edge of the sheets. Do not screw the ends of the channel to the sheets at this point.

1



Lay the wall panels out with the large rib overlapping the small.



Screw the wall panels in the centre of the rib as shown.

2

Notched ends are orientated to the outer edges of the panel

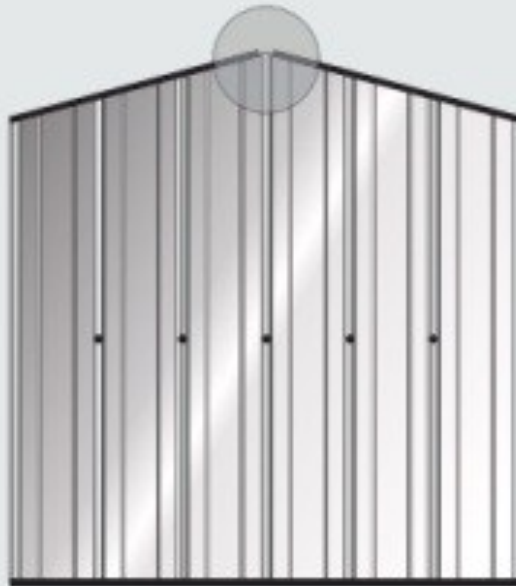


Do not screw here yet



FIT RIDGE BEAM BRACKETS

NOTE: The diagram below shows a 66 gable wall. The assembly process is the same for all gable sizes.

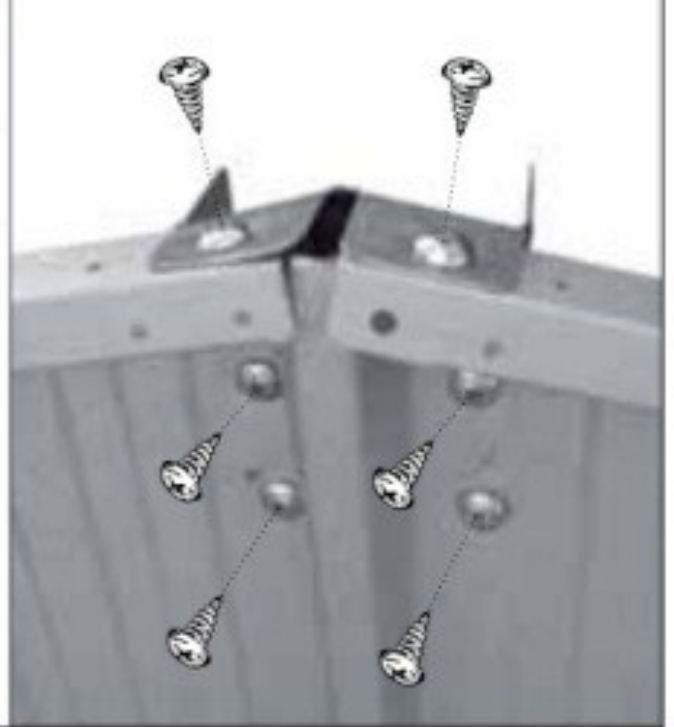


Fix the ridge beam brackets to the top of the gables using six (6) screws as shown below.

1 Pre Drill holes from inside the gable wall, Then fix from outside with 4 screws.

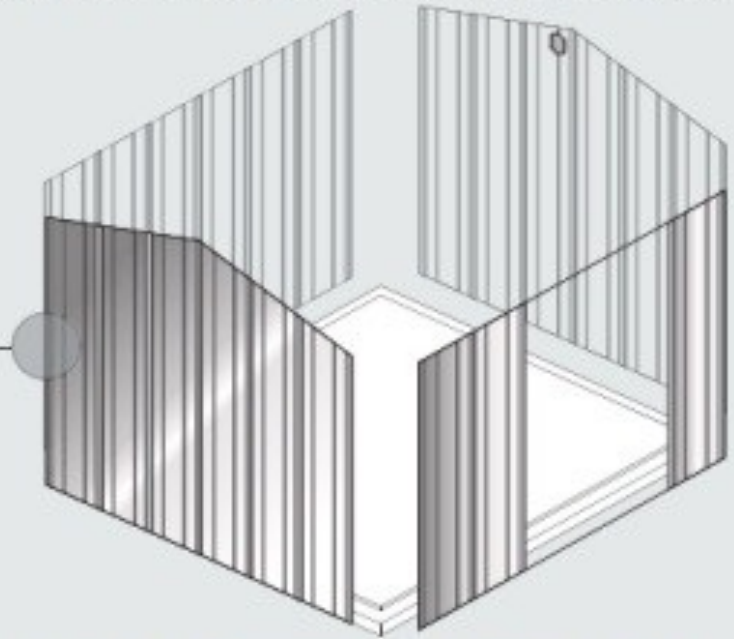
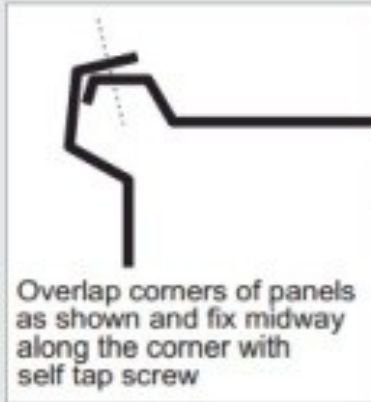


Secure brackets with six (6) screws as shown on both gable walls.

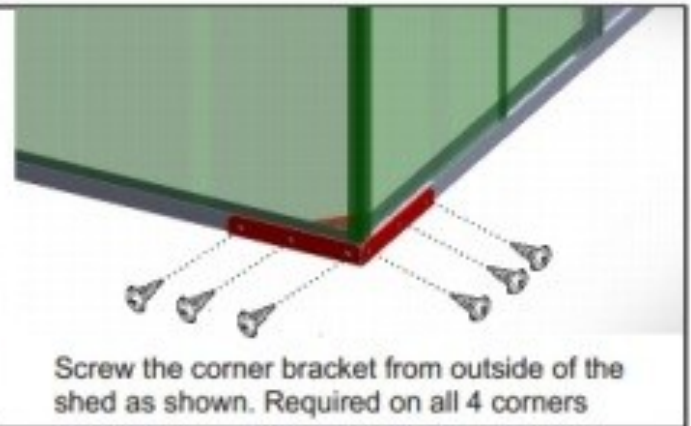
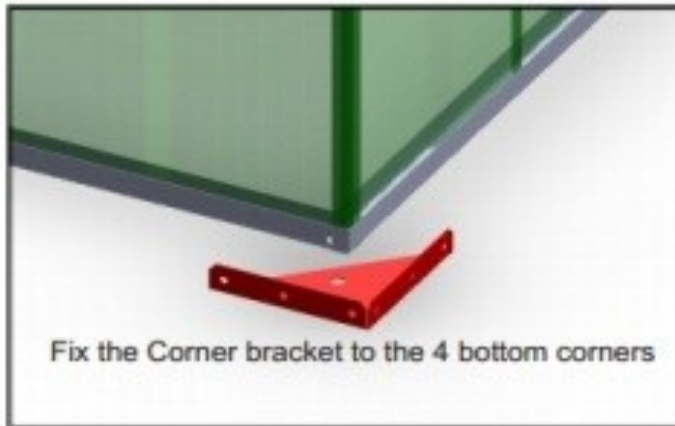


STAND AND JOIN WALL PANELS

NOTE: The diagram below shows a 66 gable roof shed. The assembly process is the same for all gable roof sizes.

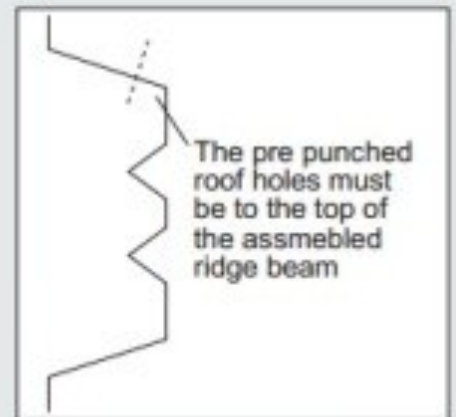
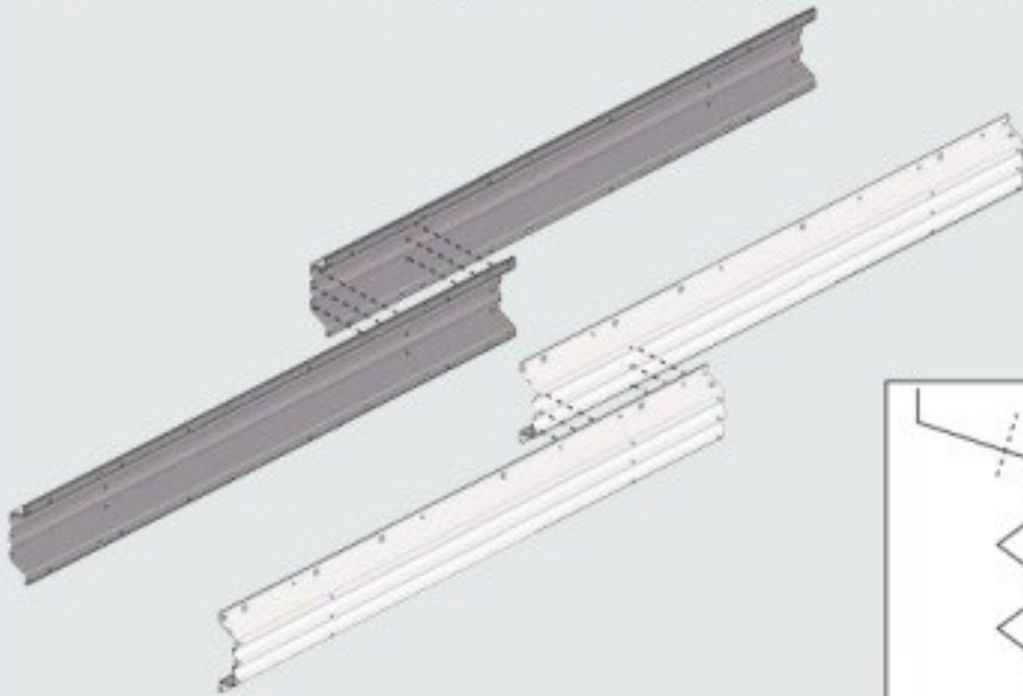


Once the four wall panels are assembled, they can now be stood and fixed together. Fix using the corner brackets and screws as shown below. Fix the front panel last. N.B when assembling large wall models, eg. 7 panels width and above, extra care should be taken, with person two providing adequate support to stop the wall from distorting.



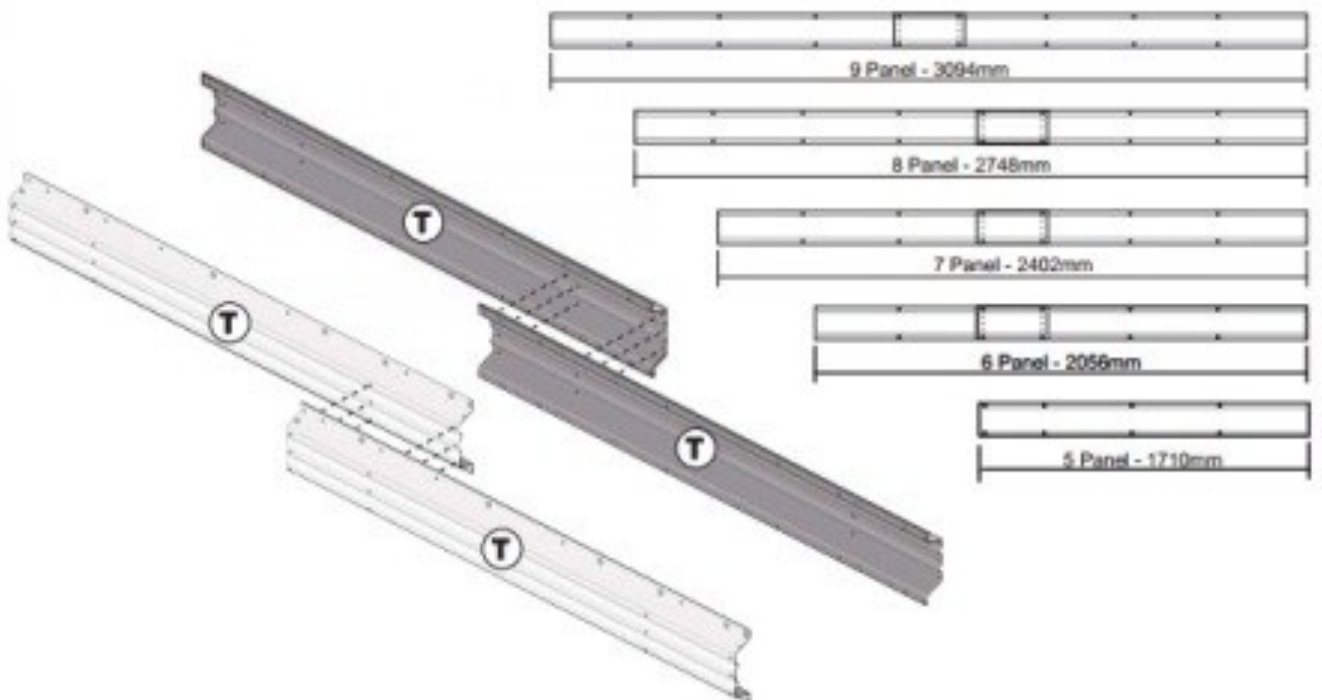
ASSEMBLE AND FIT RIDGE BEAM

NOTE: The diagram below shows a 66 gable roof shed. The assembly process is the same for all gable roof sizes.



Assemble the ridge beam on the ground as shown below.

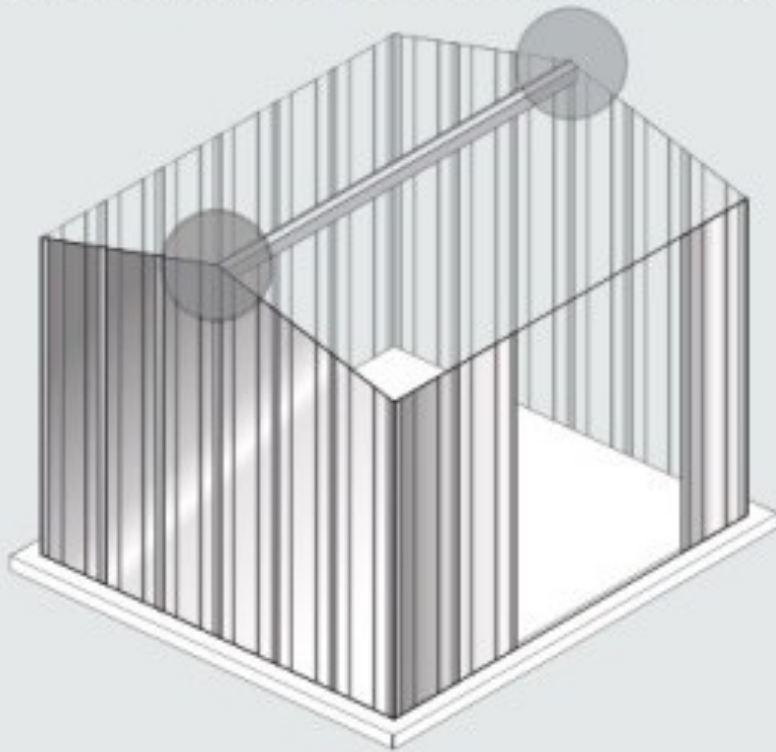
1



Overlap the two sides of the ridge beam securing them with six (6) screws per side. Ensure the pre-drilled roof panel holes are to the top. Screw the two sides together using the diagram top right as a guide. **Note:** The two halves of the ridge beam should be fixed at 346mm intervals.

ASSEMBLE AND FIT RIDGE BEAM

NOTE: The diagram below shows a 66 gable roof shed. The assembly process is the same for all gable roof sizes.



Fit the ridge beam to the two brackets as shown below.

2

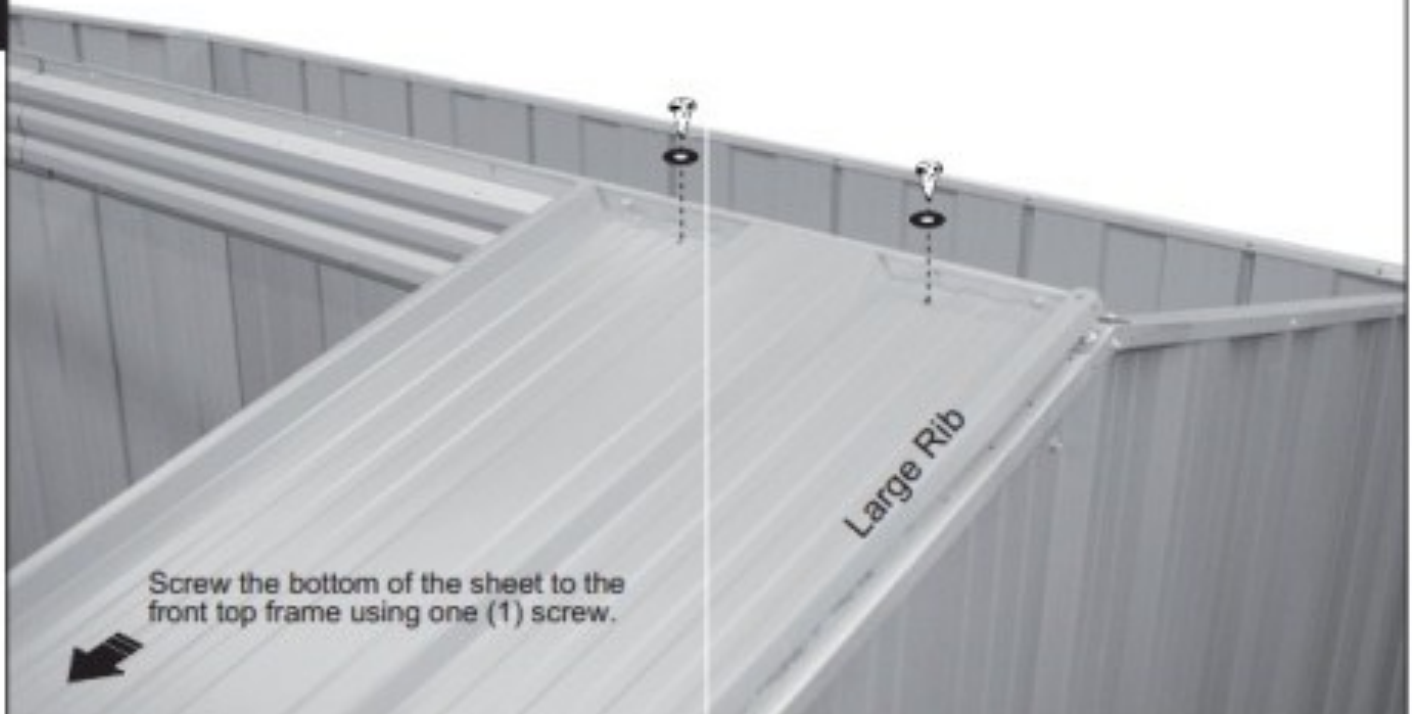


Fit the ridge beam to the two brackets using three (3) screws on either side of the bracket.

FIT ROOF AND TRIMS

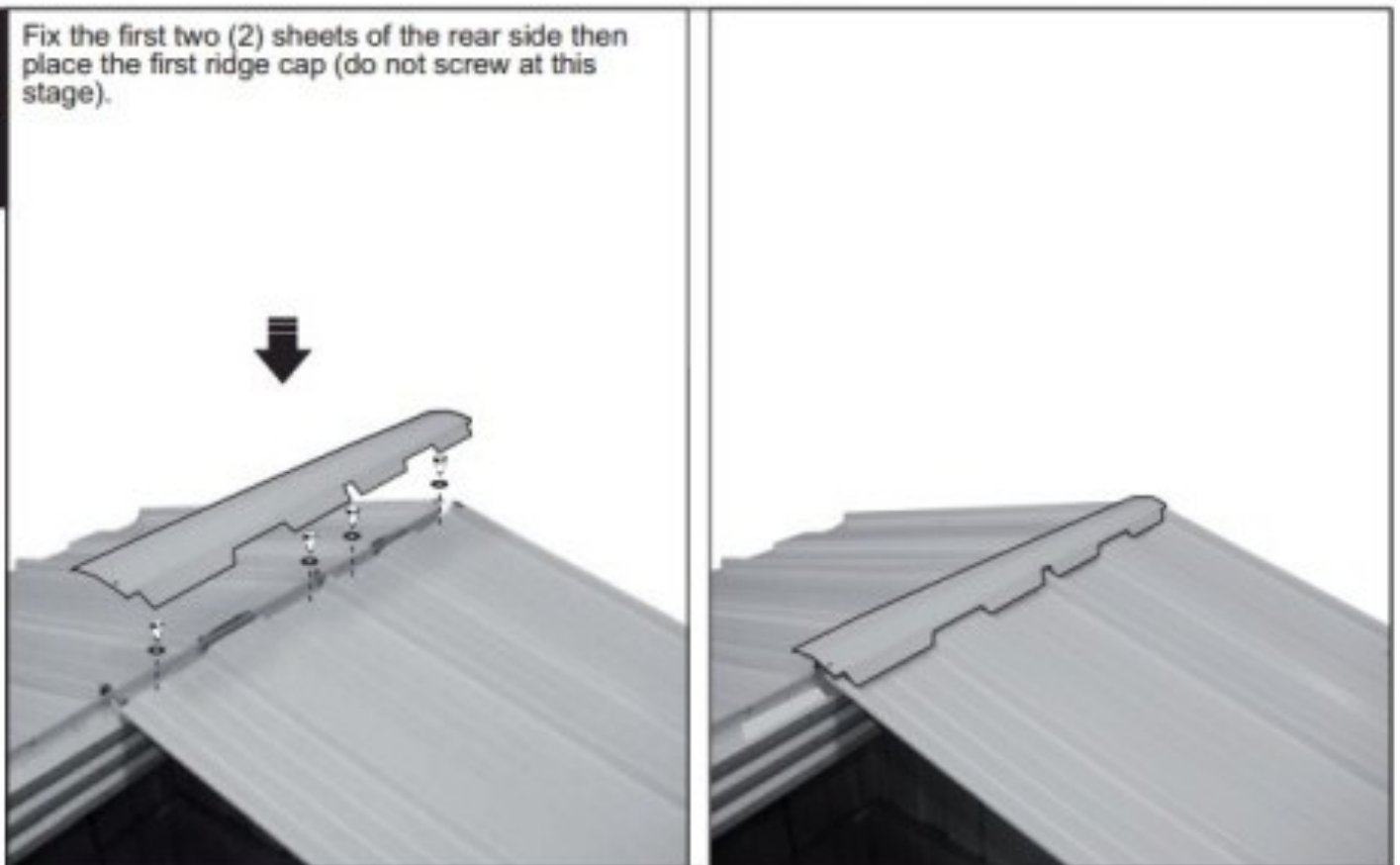
1

Screw the door side of the roof on first (do not start the rear side yet). Work from right to left ensuring the large rib is over the small rib. (If you are installing a skylight, please refer to the instructions at the end of this booklet)



2

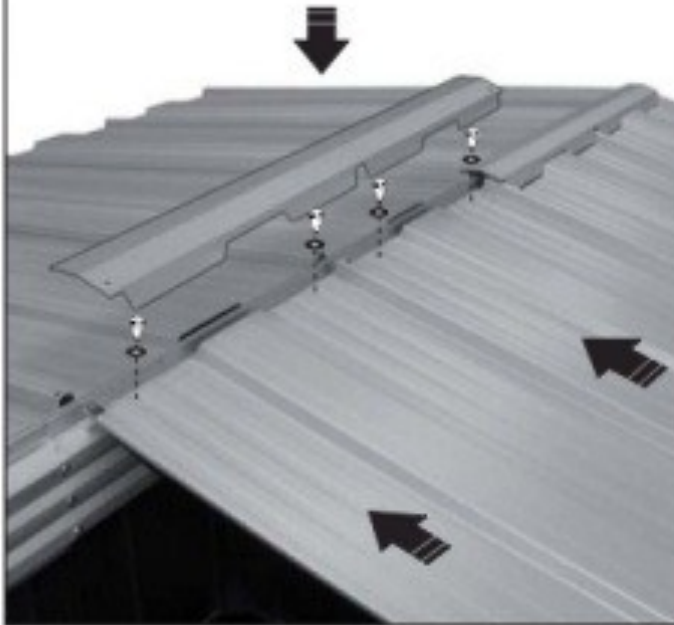
Fix the first two (2) sheets of the rear side then place the first ridge cap (do not screw at this stage).



FIT ROOF AND TRIMS

3

Fix the next two (2) sheets then fit the second ridge cap. Fix this as shown to the right.



Finish the roof in the same manner.



4

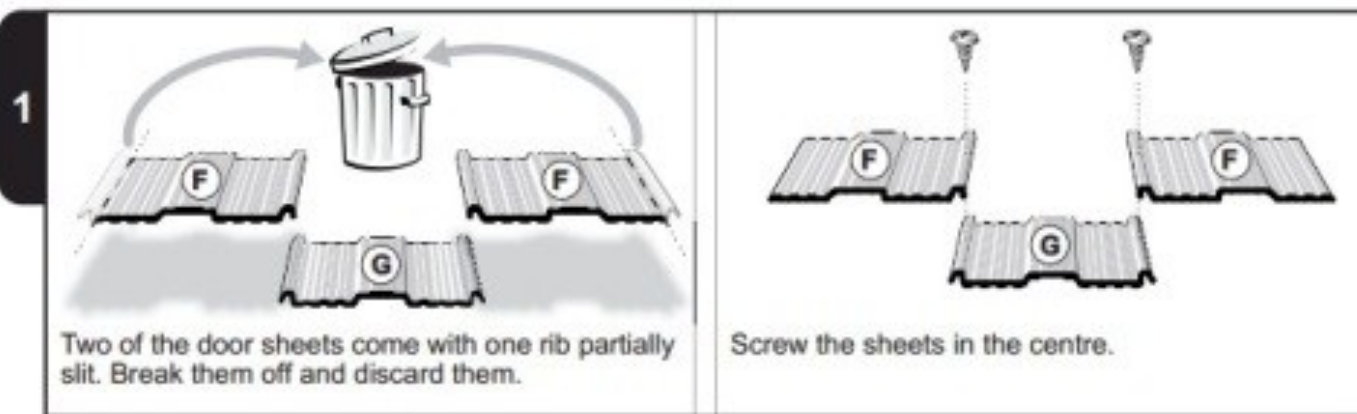
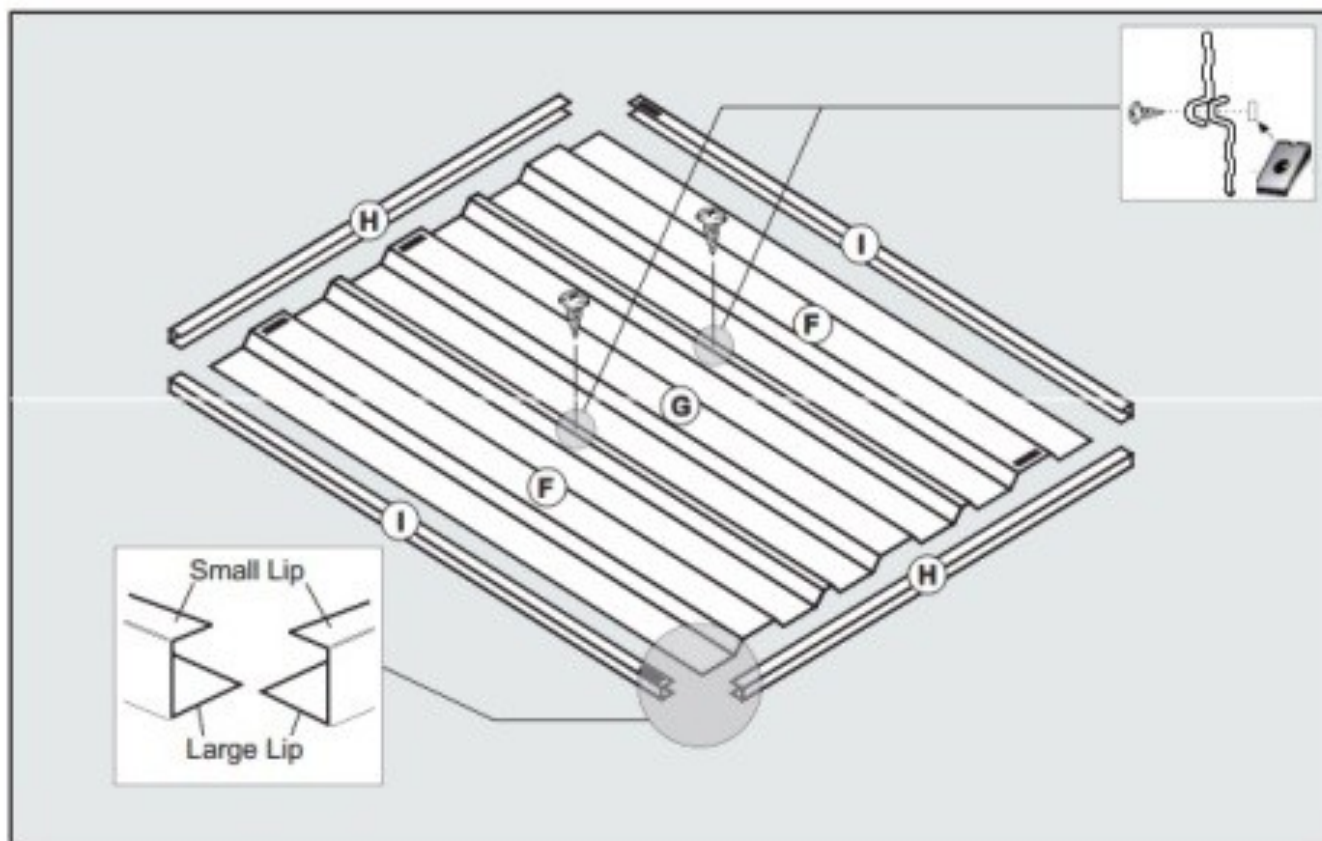
Remove Channel Screw and attach the Trim W and screw it back.



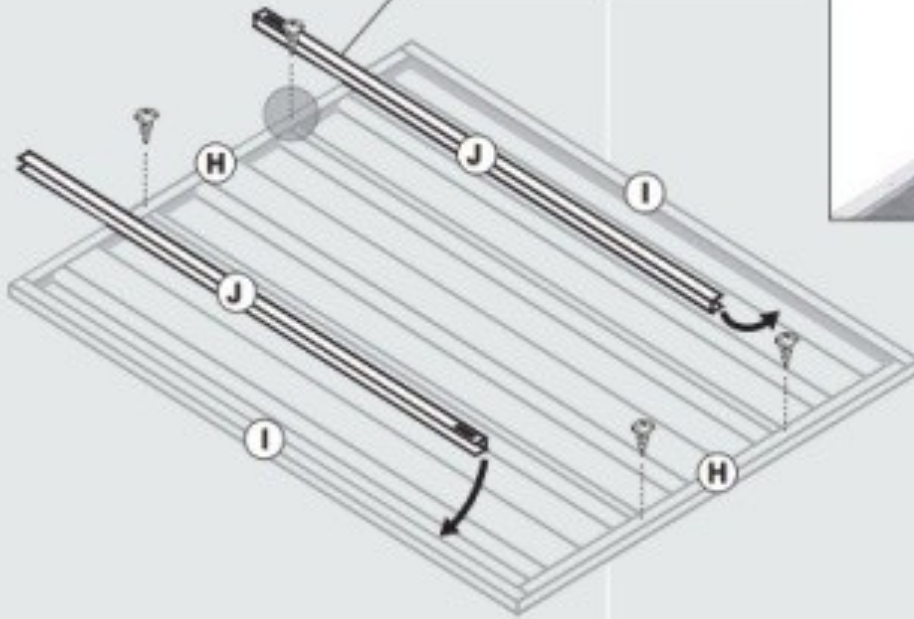
Push Roof trim into one end first and then manipulate the roof trim to fit the other



ASSEMBLE DOOR



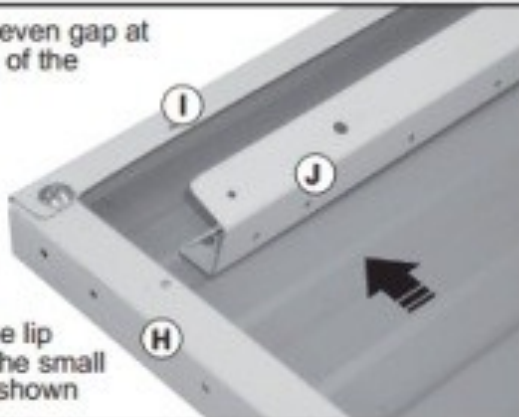
ASSEMBLE DOOR



Fix the frame H to the sheeting with screws through the small channel lips into the large sheeting ribs. Door boxing must be fitted to the door frame.

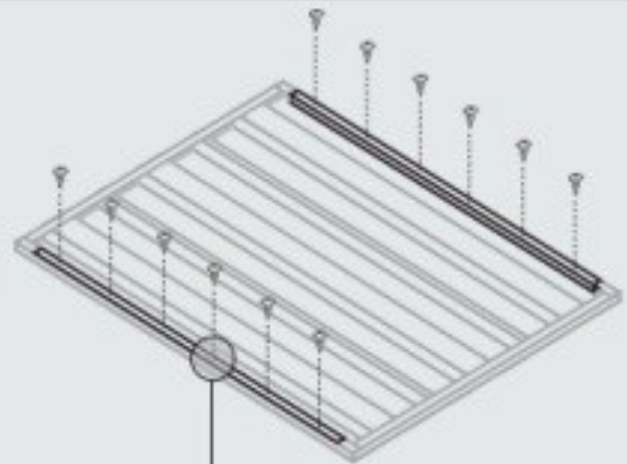
3

Leave an even gap at both ends of the boxing.



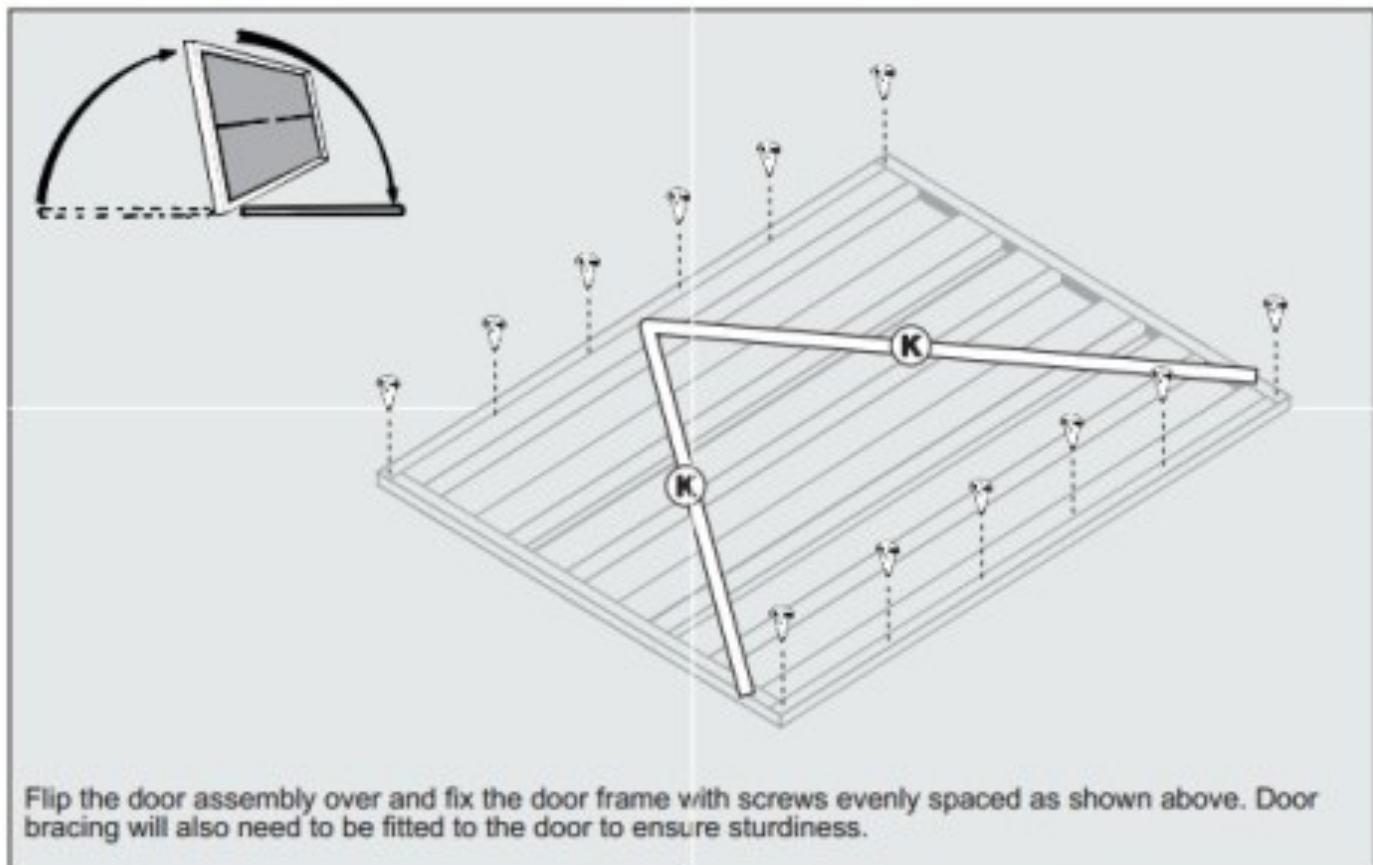
Place large lip of J over the small lip of I as shown

Screw the boxing to the frame as shown to the right

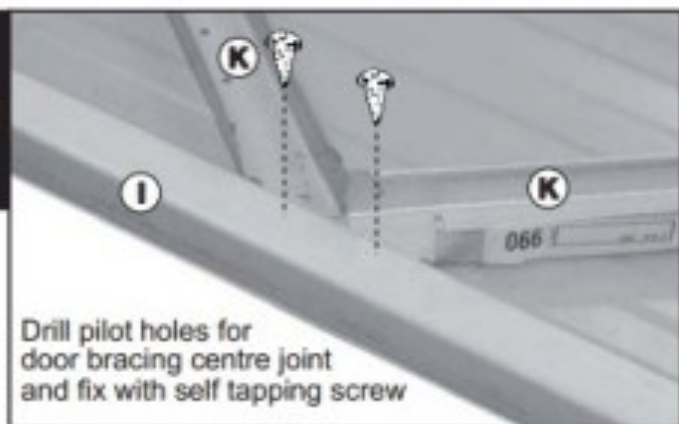


Fix both door boxing in place using six (6) screws.

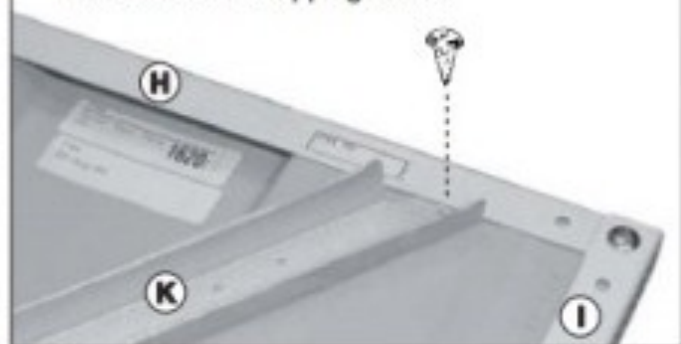
ASSEMBLE DOOR



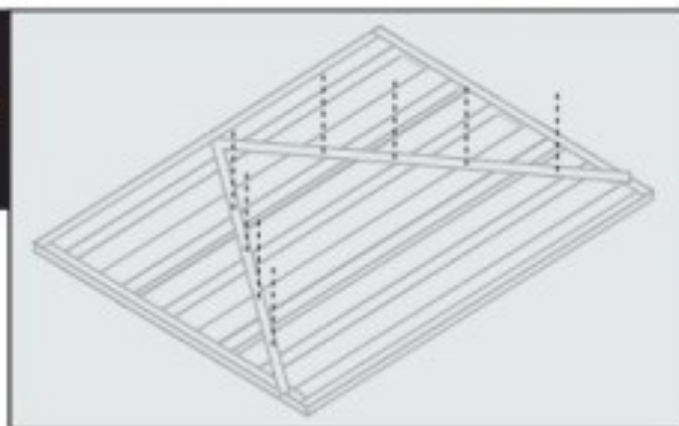
4



Drill pilot hole for top and bottom bracing joint, and fix with self tapping screw.



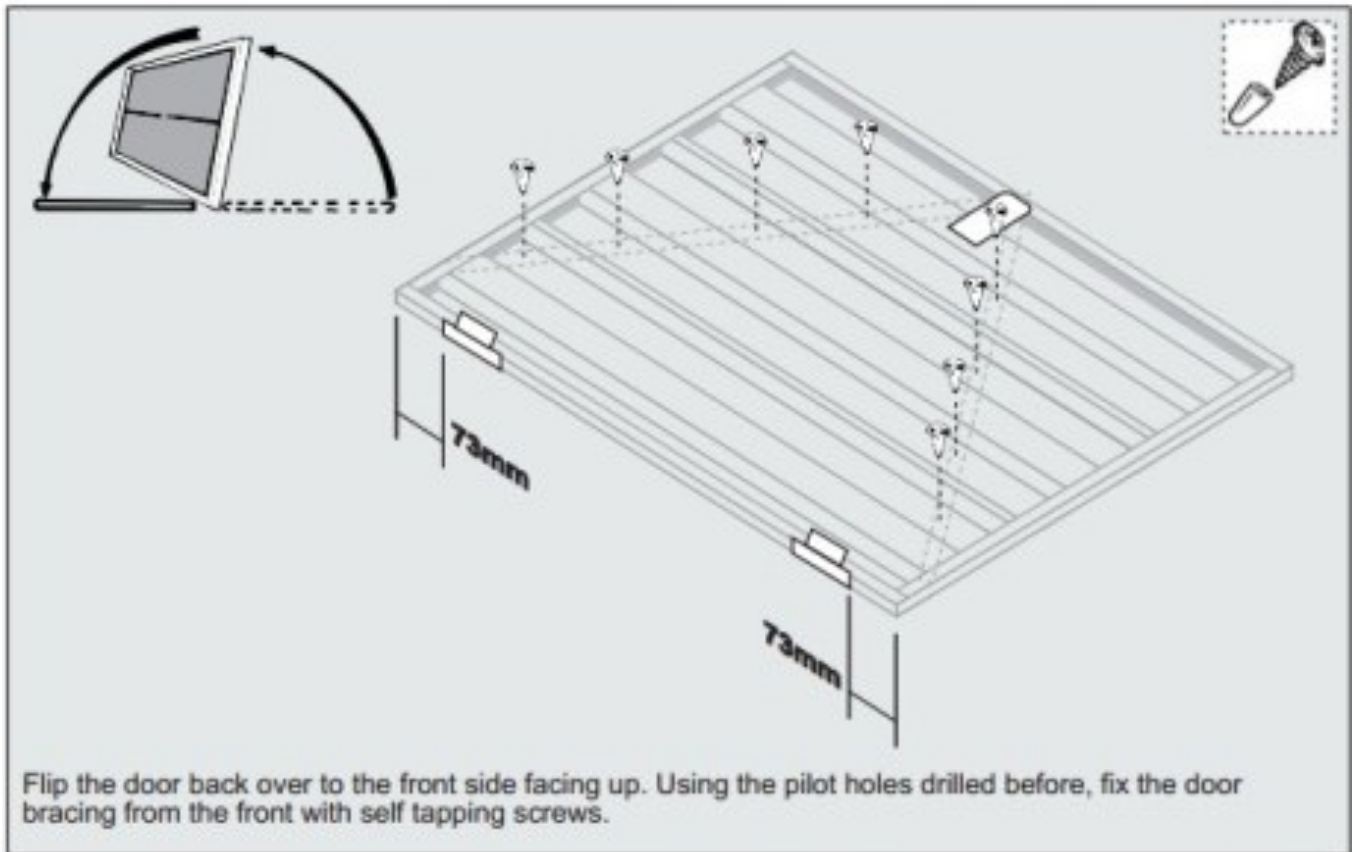
5



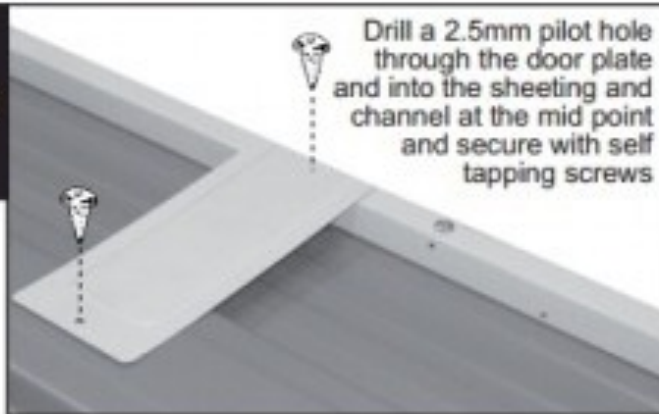
Use the 2.5mm drill bit to drill pilot holes through the door bracing into the door sheeting.

DO NOT FASTEN BRACING YET

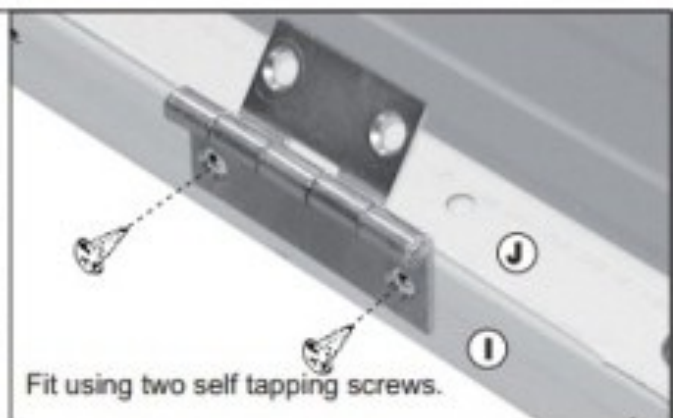
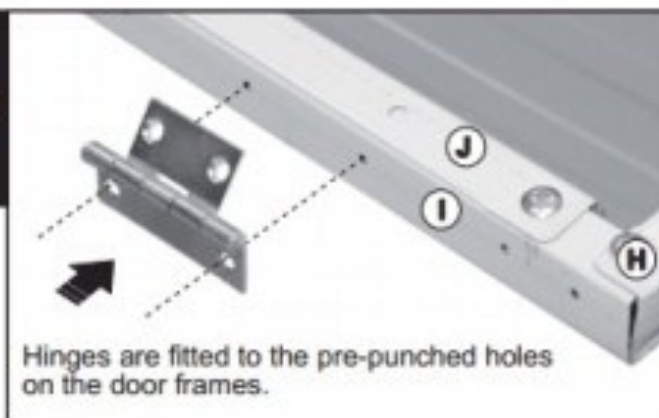
ASSEMBLE DOOR



6

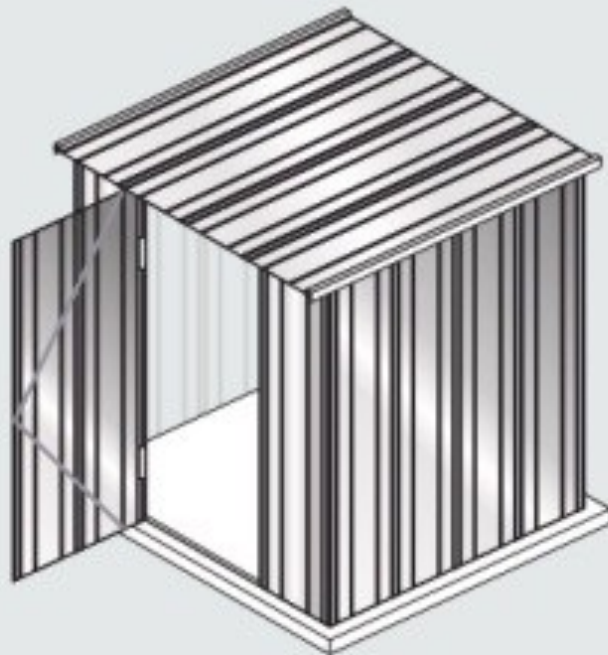


7



HANG DOOR

NOTE: The diagram below shows a 44 flat roof shed. The assembly process is the same for all sheds.



Fit the door to the left or right by fixing the hinges to the pre-drilled holes in the door jambs then fit the padbolt keeper.

1



2

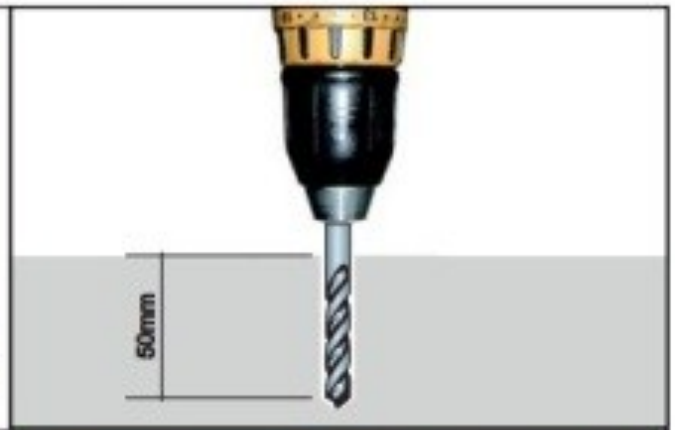
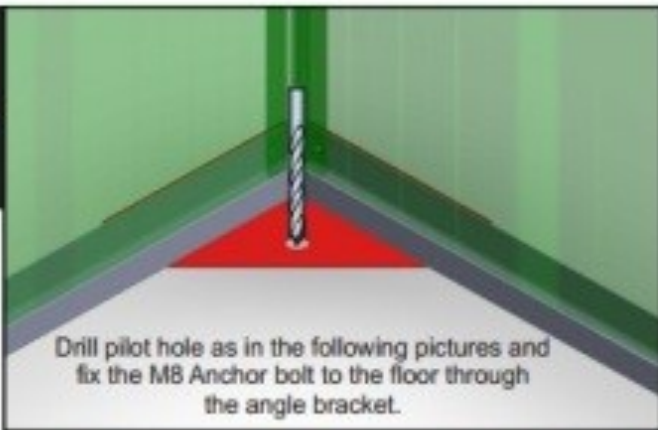


Drill pilot holes to accommodate the padbolt keeper and then fix with self tapping screws

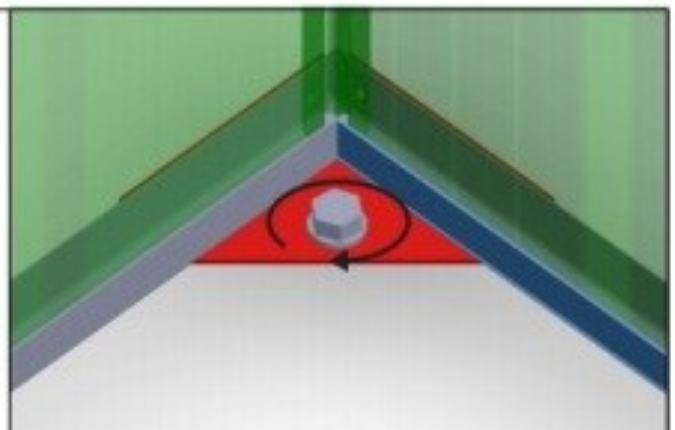
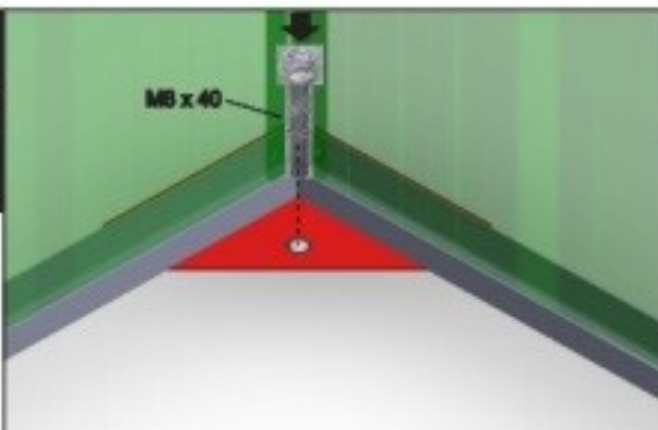
BOLT DOWN



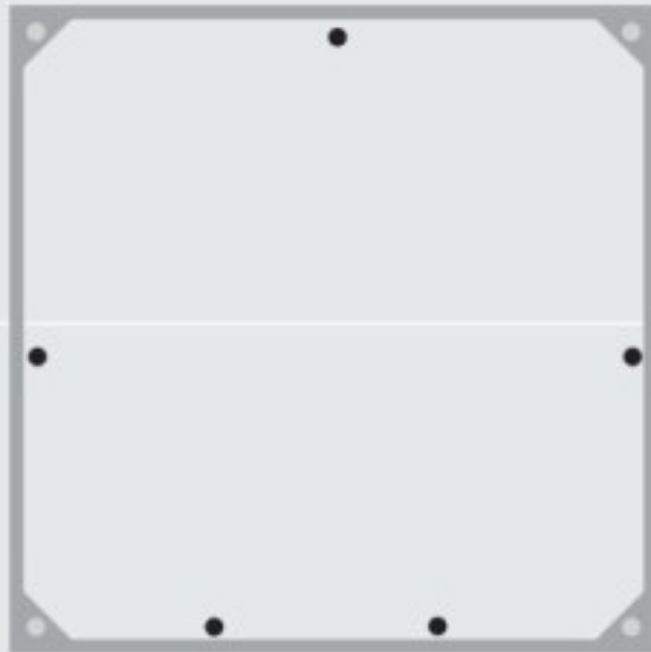
1



2



BOLT DOWN



Bolt the shed down through the angle brackets as shown.

1

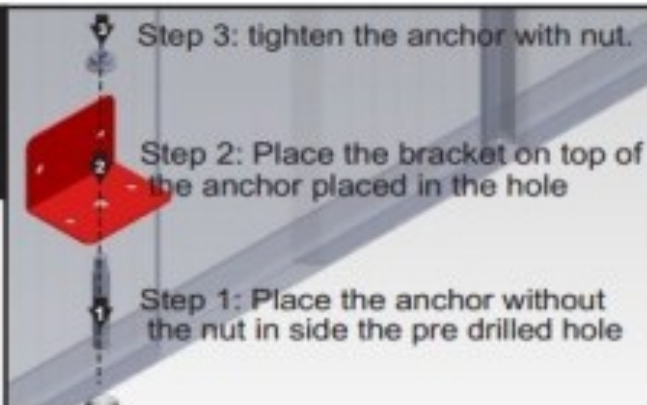


Drill the hole for the anchor to 50mm depth and then using a 5mm drill bit, drill the holes through the sheeting to attach the bracket to the shed.



50mm

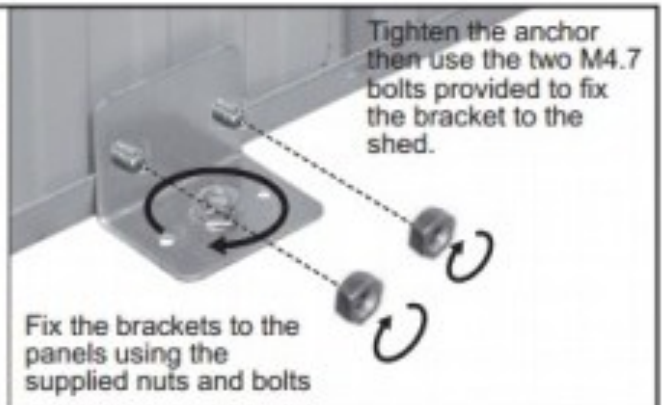
2



Step 3: tighten the anchor with nut.

Step 2: Place the bracket on top of the anchor placed in the hole

Step 1: Place the anchor without the nut in side the pre drilled hole



Tighten the anchor then use the two M4.7 bolts provided to fix the bracket to the shed.

Fix the brackets to the panels using the supplied nuts and bolts

FIT SKYLIGHT (OPTIONAL)

The skylight must be fitted on top of the two adjacent sheets. Fit the steel roof sheets first then fit the skylight as shown below.

1



The skylight is fixed using two (2) screws at the top and bottom of the sheet. The inset shows a closeup of the overlap. Pilot holes will need to be drilled

2

