

FASTTRAK

Simple, Strong, Quick & Easy.

ASSEMBLY INSTRUCTIONS

F83

REVISION 02/19



How to build Video



W2800mm x D1070mm x H1800mm

NOTES

BEFORE COMMENCING SHED ASSEMBLY, CHECK ALL PARTS.

DO NOT ASSEMBLE IN WINDY CONDITIONS



READ INSTRUCTIONS FIRST



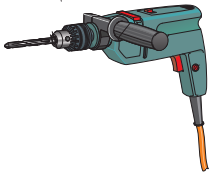
2 PERSON ASSEMBLY



THE MANUFACTURERS CANNOT BE HELD RESPONSIBLE FOR ANY CONSEQUENCES DUE TO SHEDS THAT ARE NOT INSTALLED PER INSTRUCTIONS OR FOR DAMAGE DUE TO WEATHER CONDITIONS, ACTS OF GOD OR FOR SHEDS THAT ARE LEFT PARTIALLY ASSEMBLED OVERNIGHT. PARTS MAY CONTAIN SHARP EDGES & CORNERS. CARE MUST BE TAKEN WHEN HANDLING VARIOUS PIECES TO AVOID A MISHAP, FOR SAFETY SAKE, PLEASE USE A PAIR OF WORK GLOVES, EYE PROTECTION & PROTECTIVE CLOTHING WHEN ASSEMBLING OR PERFORMING ANY MAINTENANCE ON THE BUILDING.

Subject to changes © STEEL SHEDS AUSTRALIA PTY LIMITED

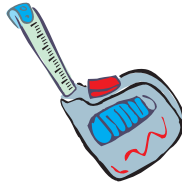
TOOLS REQUIRED



Electric Drill



Cordless Drill



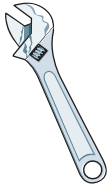
Measuring Tape



Screwdrivers



8mm Masonry Drill Bit



Shifting Spanner



Builders Pencil



Tin Snips
(some models only)



Rubber Mallet



Sturdy Ladder
(two if possible)

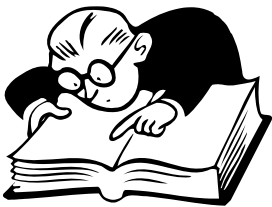


Gloves

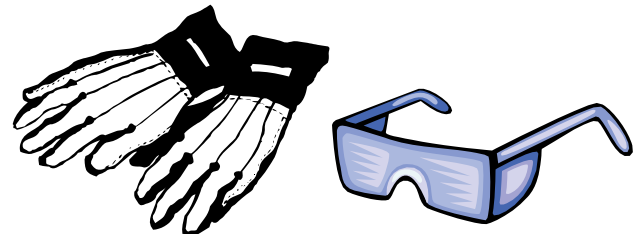
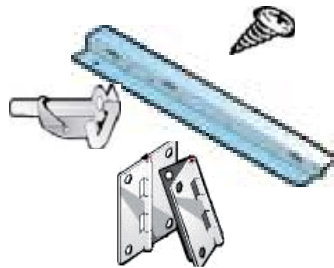


Protective Eyewear

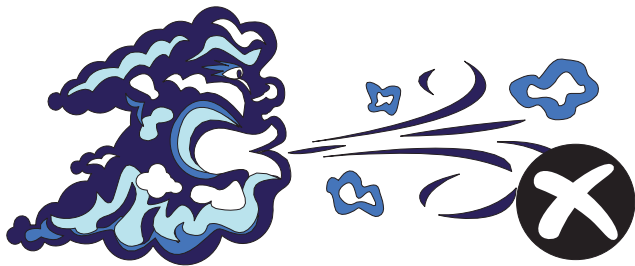
HANDY HINTS FOR CONSTRUCTION



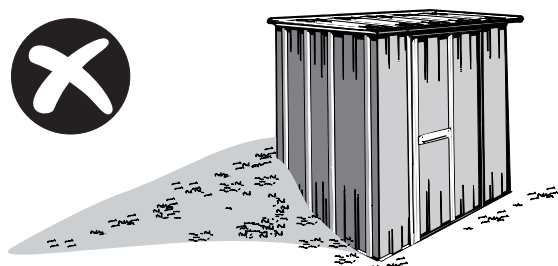
Read instructions and check parts carefully before assembling the shed.



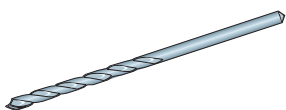
Please wear safety gloves and glasses at all times to protect against sharp metal edges.



Do not assemble in windy conditions as panels may be difficult to handle and damage may result.

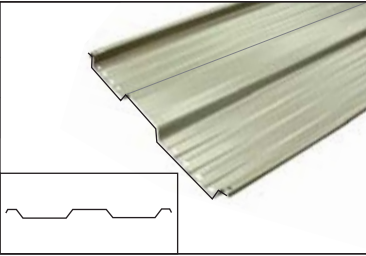
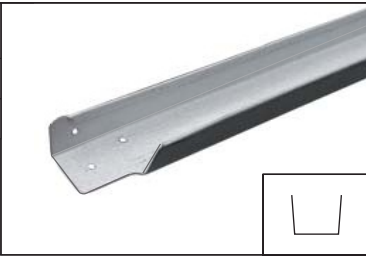
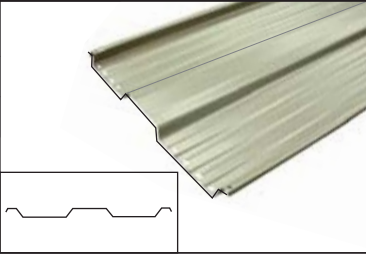
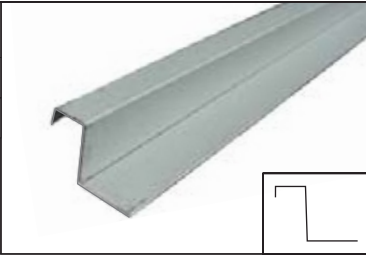
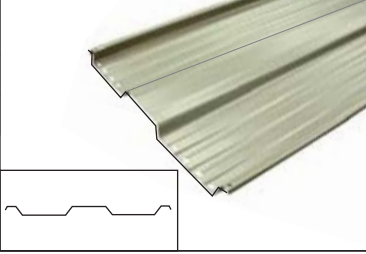
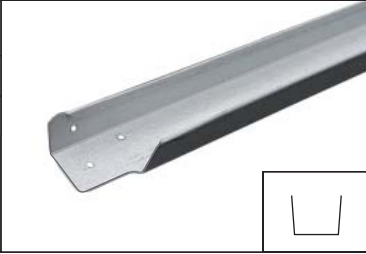
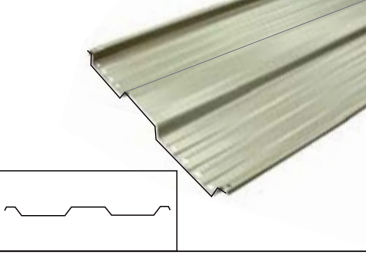
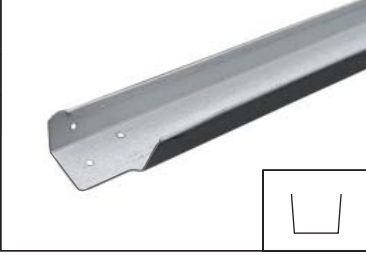
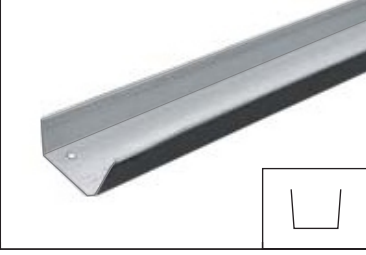
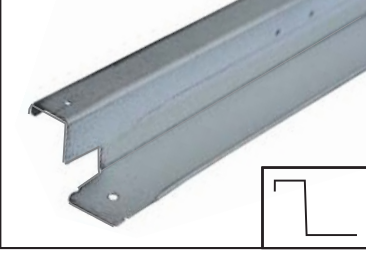

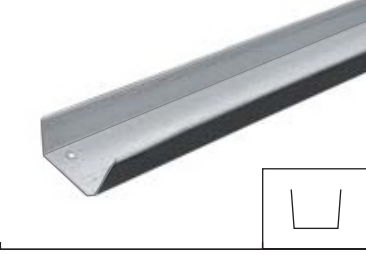




Do not back fill against the shed as this will result in corrosion. Allow drainage from the site.

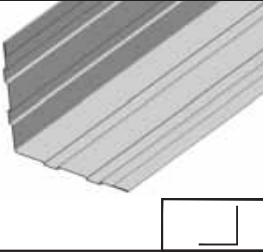



MOST PILOT HOLES ARE PRE-PUNCHED AND IN THIS CASE DRILLING HOLES IS NOT NECESSARY, HOWEVER SOME PILOT HOLES NEED TO BE DRILLED WITH THE INCLUDED 2.5MM DRILL BIT WHERE INDICATED

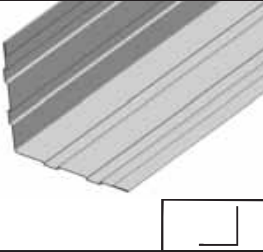
PARTS LIST

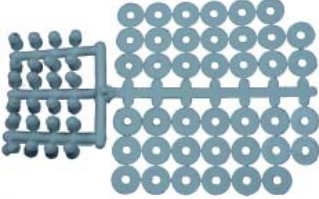
<table border="1"> <tr><td>PRODUCT ID</td><td>C</td></tr> <tr><td>Length</td><td>1800mm</td></tr> <tr><td>Quantity</td><td>14</td></tr> <tr><td>Description:</td><td>Wall Panel</td></tr> </table> 	PRODUCT ID	C	Length	1800mm	Quantity	14	Description:	Wall Panel	<table border="1"> <tr><td>PRODUCT ID</td><td>K</td></tr> <tr><td>Length</td><td>1040mm</td></tr> <tr><td>Quantity</td><td>4</td></tr> <tr><td>Description:</td><td>Door Bracing</td></tr> </table> 	PRODUCT ID	K	Length	1040mm	Quantity	4	Description:	Door Bracing
PRODUCT ID	C																
Length	1800mm																
Quantity	14																
Description:	Wall Panel																
PRODUCT ID	K																
Length	1040mm																
Quantity	4																
Description:	Door Bracing																
<table border="1"> <tr><td>PRODUCT ID</td><td>D</td></tr> <tr><td>Length</td><td>1800mm</td></tr> <tr><td>Quantity</td><td>4</td></tr> <tr><td>Description:</td><td>Wall Corner Panels</td></tr> </table> 	PRODUCT ID	D	Length	1800mm	Quantity	4	Description:	Wall Corner Panels	<table border="1"> <tr><td>PRODUCT ID</td><td>L</td></tr> <tr><td>Length</td><td>1706mm</td></tr> <tr><td>Quantity</td><td>1</td></tr> <tr><td>Description:</td><td>Door Seal</td></tr> </table> 	PRODUCT ID	L	Length	1706mm	Quantity	1	Description:	Door Seal
PRODUCT ID	D																
Length	1800mm																
Quantity	4																
Description:	Wall Corner Panels																
PRODUCT ID	L																
Length	1706mm																
Quantity	1																
Description:	Door Seal																
<table border="1"> <tr><td>PRODUCT ID</td><td>E</td></tr> <tr><td>Length</td><td>1149mm</td></tr> <tr><td>Quantity</td><td>8</td></tr> <tr><td>Description:</td><td>Roof Panels</td></tr> </table> 	PRODUCT ID	E	Length	1149mm	Quantity	8	Description:	Roof Panels	<table border="1"> <tr><td>PRODUCT ID</td><td>M</td></tr> <tr><td>Length (spliced)</td><td>2791mm =(1461 + 1460)</td></tr> <tr><td>Quantity</td><td>4</td></tr> <tr><td>Description:</td><td>Top/Bottom Front/Rear Channel</td></tr> </table> 	PRODUCT ID	M	Length (spliced)	2791mm =(1461 + 1460)	Quantity	4	Description:	Top/Bottom Front/Rear Channel
PRODUCT ID	E																
Length	1149mm																
Quantity	8																
Description:	Roof Panels																
PRODUCT ID	M																
Length (spliced)	2791mm =(1461 + 1460)																
Quantity	4																
Description:	Top/Bottom Front/Rear Channel																
<table border="1"> <tr><td>PRODUCT ID</td><td>F</td></tr> <tr><td>Length</td><td>1738mm</td></tr> <tr><td>Quantity</td><td>4</td></tr> <tr><td>Description:</td><td>Door Panel (partially slit)</td></tr> </table> 	PRODUCT ID	F	Length	1738mm	Quantity	4	Description:	Door Panel (partially slit)	<table border="1"> <tr><td>PRODUCT ID</td><td>N</td></tr> <tr><td>Length (spliced)</td><td>1061mm</td></tr> <tr><td>Quantity</td><td>4</td></tr> <tr><td>Description:</td><td>Side Channel Top/Bottom</td></tr> </table> 	PRODUCT ID	N	Length (spliced)	1061mm	Quantity	4	Description:	Side Channel Top/Bottom
PRODUCT ID	F																
Length	1738mm																
Quantity	4																
Description:	Door Panel (partially slit)																
PRODUCT ID	N																
Length (spliced)	1061mm																
Quantity	4																
Description:	Side Channel Top/Bottom																
<table border="1"> <tr><td>PRODUCT ID</td><td>H</td></tr> <tr><td>Length</td><td>674mm</td></tr> <tr><td>Quantity</td><td>4</td></tr> <tr><td>Description:</td><td>Door Frame Top/Bottom</td></tr> </table> 	PRODUCT ID	H	Length	674mm	Quantity	4	Description:	Door Frame Top/Bottom	<table border="1"> <tr><td>PRODUCT ID</td><td>Q</td></tr> <tr><td>Length</td><td>1800mm</td></tr> <tr><td>Quantity</td><td>2</td></tr> <tr><td>Description:</td><td>Door Jamb</td></tr> </table> 	PRODUCT ID	Q	Length	1800mm	Quantity	2	Description:	Door Jamb
PRODUCT ID	H																
Length	674mm																
Quantity	4																
Description:	Door Frame Top/Bottom																
PRODUCT ID	Q																
Length	1800mm																
Quantity	2																
Description:	Door Jamb																
<table border="1"> <tr><td>PRODUCT ID</td><td>I</td></tr> <tr><td>Length</td><td>1742mm</td></tr> <tr><td>Quantity</td><td>4</td></tr> <tr><td>Description:</td><td>Door Frame Side</td></tr> </table> 	PRODUCT ID	I	Length	1742mm	Quantity	4	Description:	Door Frame Side	<table border="1"> <tr><td>PRODUCT ID</td><td>R</td></tr> <tr><td>Length</td><td>1367mm</td></tr> <tr><td>Quantity</td><td>1</td></tr> <tr><td>Description:</td><td>Bottom Door Spacer</td></tr> </table> 	PRODUCT ID	R	Length	1367mm	Quantity	1	Description:	Bottom Door Spacer
PRODUCT ID	I																
Length	1742mm																
Quantity	4																
Description:	Door Frame Side																
PRODUCT ID	R																
Length	1367mm																
Quantity	1																
Description:	Bottom Door Spacer																
<table border="1"> <tr><td>PRODUCT ID</td><td>J</td></tr> <tr><td>Length</td><td>1706mm</td></tr> <tr><td>Quantity</td><td>4</td></tr> <tr><td>Description:</td><td>Door Boxing</td></tr> </table> 	PRODUCT ID	J	Length	1706mm	Quantity	4	Description:	Door Boxing	<table border="1"> <tr><td>PRODUCT ID</td><td>S</td></tr> <tr><td>Length</td><td>1367mm</td></tr> <tr><td>Quantity</td><td>1</td></tr> <tr><td>Description:</td><td>Top Door Spacer</td></tr> </table> 	PRODUCT ID	S	Length	1367mm	Quantity	1	Description:	Top Door Spacer
PRODUCT ID	J																
Length	1706mm																
Quantity	4																
Description:	Door Boxing																
PRODUCT ID	S																
Length	1367mm																
Quantity	1																
Description:	Top Door Spacer																

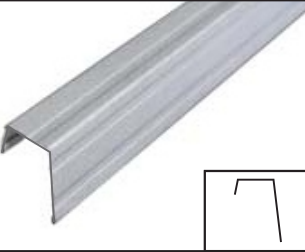
PARTS LIST

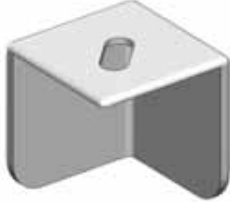
PRODUCT ID	V	
Length	1404	
Quantity	2	
Description:	Gutter Trim	


Quantity	2	
Description:	Keeper	

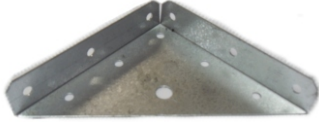
PRODUCT ID	V	
Length	1750	
Quantity	2	
Description:	Gutter Trim	


Quantity	1	
Description:	Plastic Washer and Screw Cap Sheet	


PRODUCT ID	W	
Length	1141mm	
Quantity	2	
Description:	Roof Angle Trim	


Quantity	4	
Description:	Plastic Corner Cap	


Quantity	250	
Description:	Self Tapping Screws - Silver	


Quantity	4	
Description:	Corner Bracket	


Quantity	1	
Description:	2.5mm Drill Bit	

Quantity	4	
Description:	55mm Bracket	


Quantity	4	
Description:	Hinges (offset)	


Quantity	8	
Description:	Nut & Bolt 3/16"	


Quantity	3	
Description:	Padbolt	

Quantity	8	
Description:	Masonry Anchor	

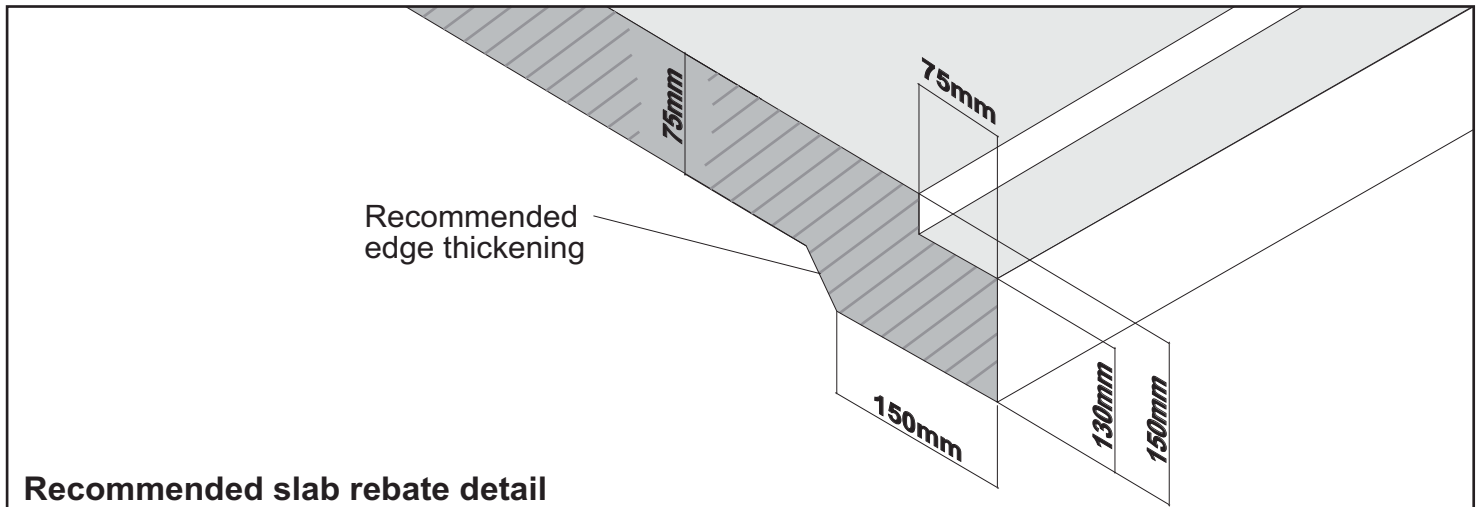
PARTS LIST

Quantity	3	
Clip Nut		

Quantity	1	
Phillips Head Bit		

Quantity	1	
Description: Door Plate		

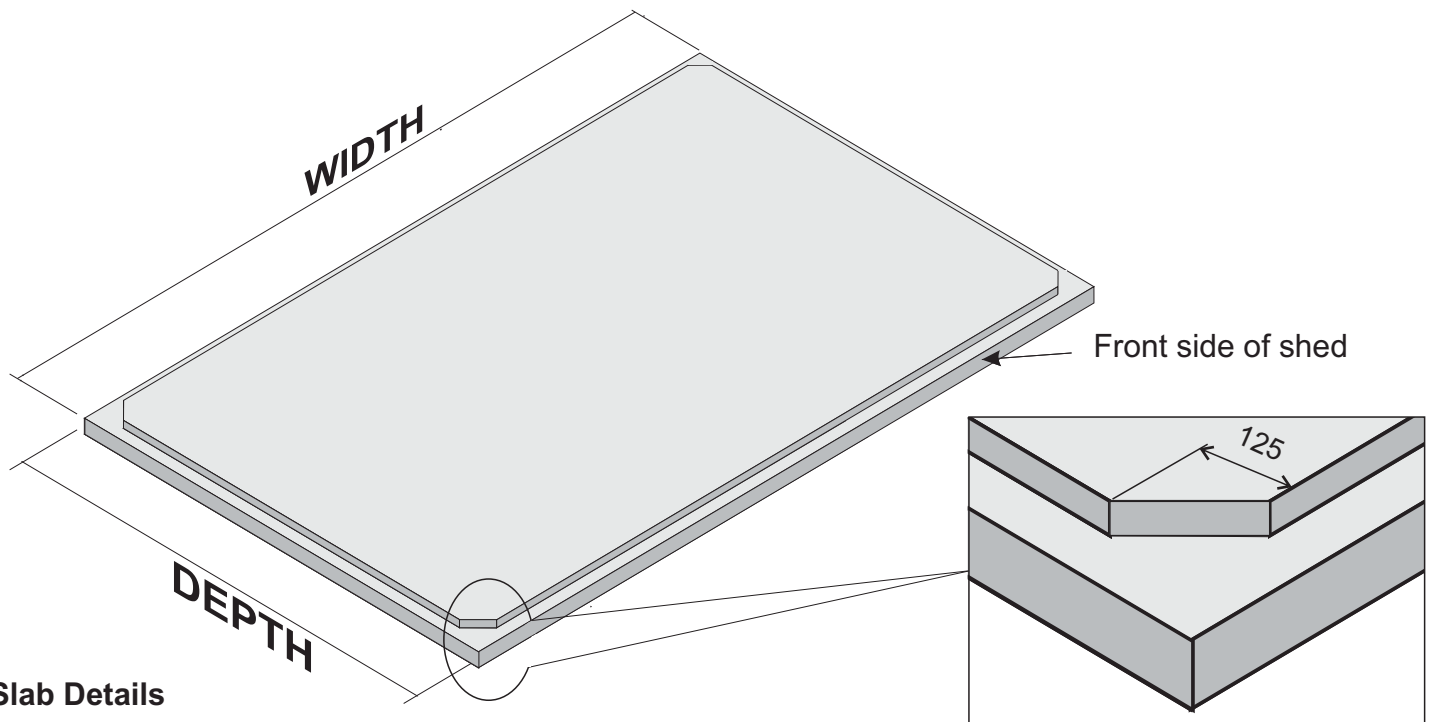
FOUNDATION



Recommended slab rebate detail

Although *not required*, it is strongly recommended that, to avoid water leakage around the base of your shed, a rebate be cast into the slab. This will allow the shed to sit below the slab level and prevent water from reaching the upper level of the slab.

If you planning a rebated slab make sure to cut the 4 corners at $125 \times 45^\circ$ as shown in detail below.



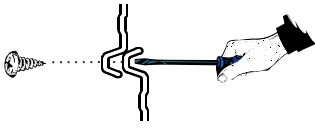
Slab Details

Your garden shed must be erected on a solid, level and square foundation. We strongly recommend you pour a concrete slab 75mm thick, reinforced with SL62 mesh (minimum) using dimensions from the table below.

Masonry anchors are supplied

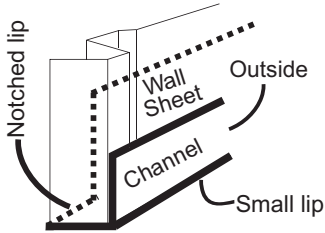
SHED CODE	OUTER SLAB SIZE width x depth	ANCHORS M8 x 40mm
F83	2900mm x 1170mm	8

REAR WALL PANEL

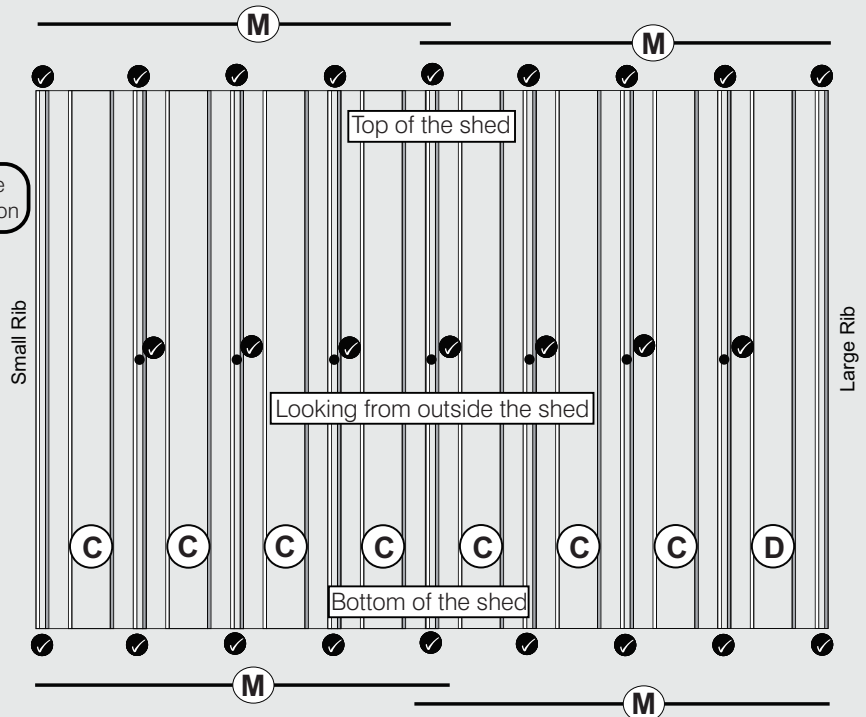


If you are having trouble screwing the channel to the sheets, chock behind the hole .

✔ This sign indicate the tek screw position

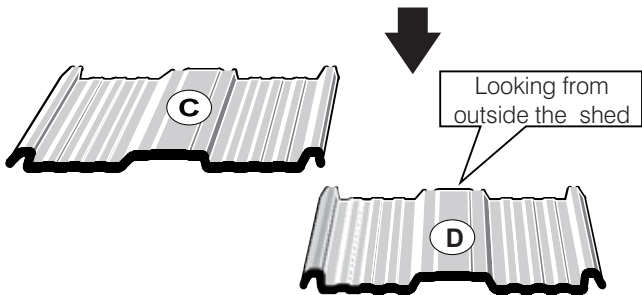


Ensure that the small lip of the channel is to the outside of the shed. Notched big lip is to inside

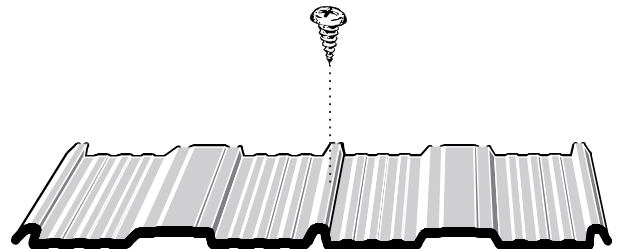


Fit the top and bottom channel to the wall panels. Ensure the channel is flush with the edge of the sheets. NB: Some channel holes may not align perfectly when the sheets are laid out. They can be easily manipulated into position and screw to the channel.

1



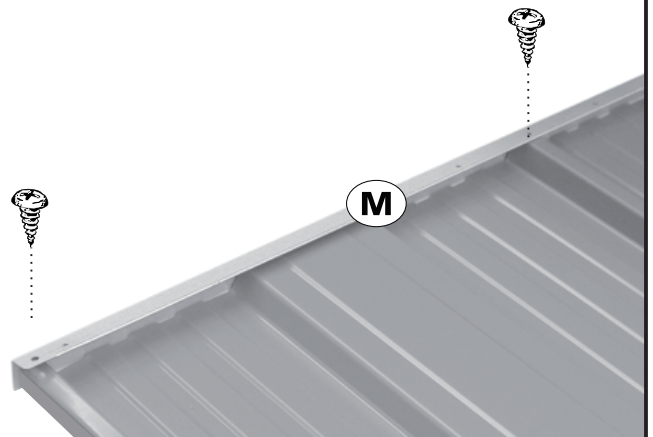
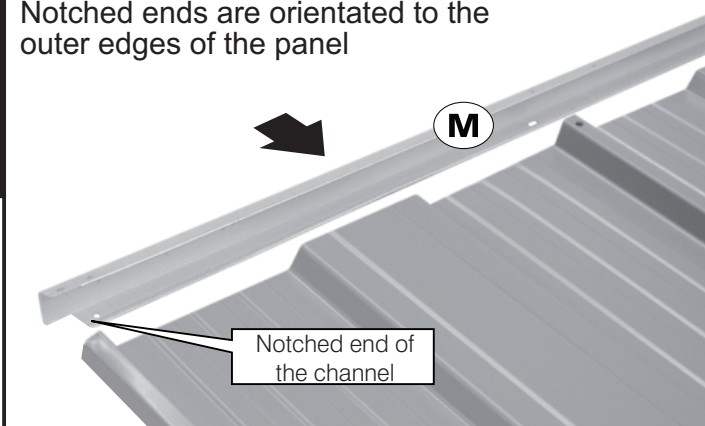
Lay the wall panels out with the large rib overlapping the small.



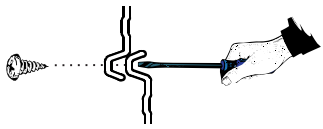
Screw the wall panels in the centre of the rib as shown.

2

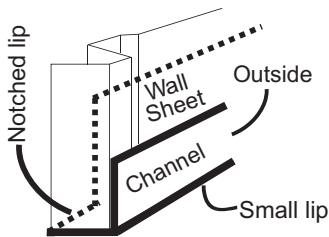
Notched ends are orientated to the outer edges of the panel



FRONT WALL PANEL



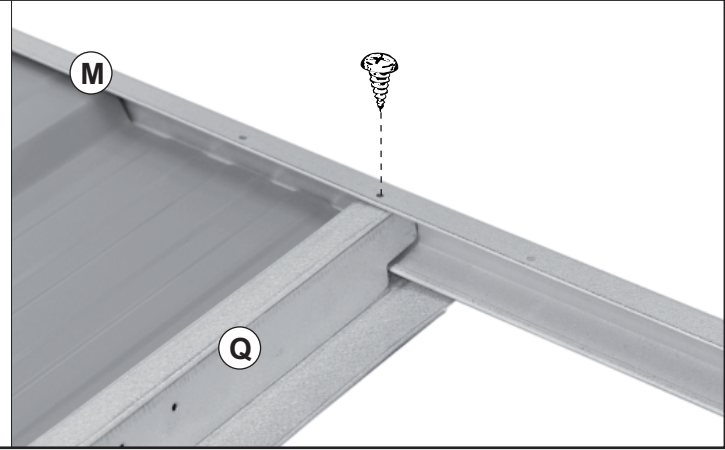
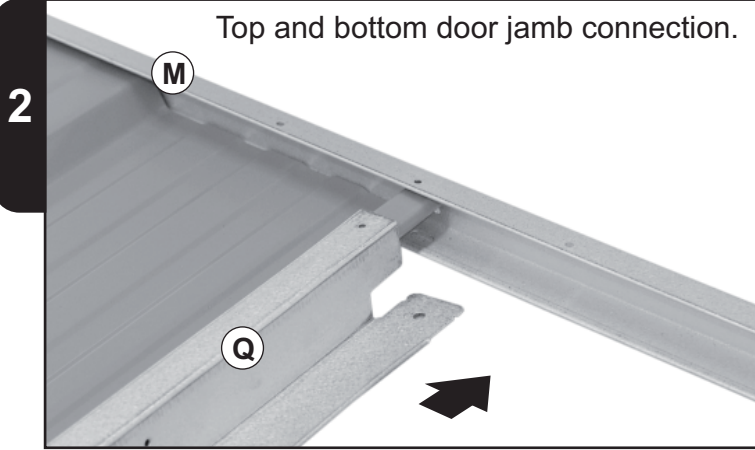
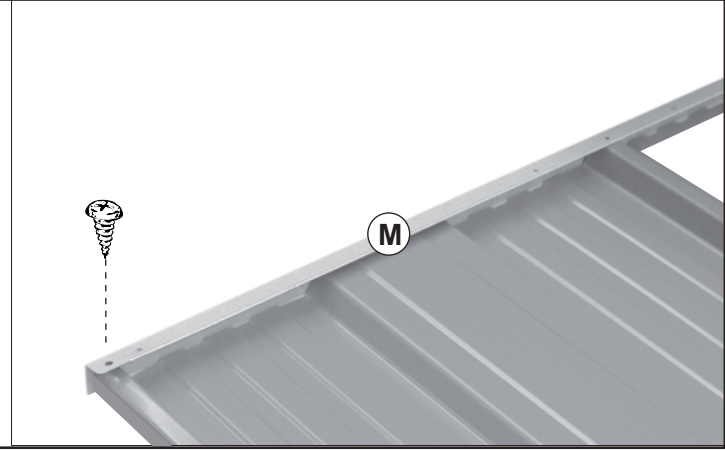
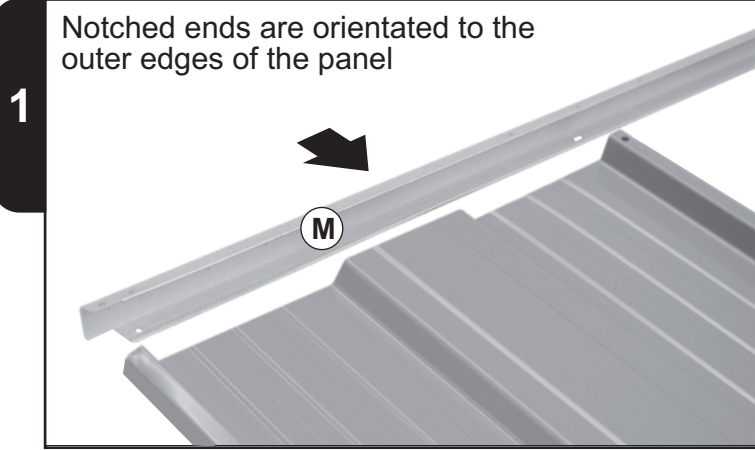
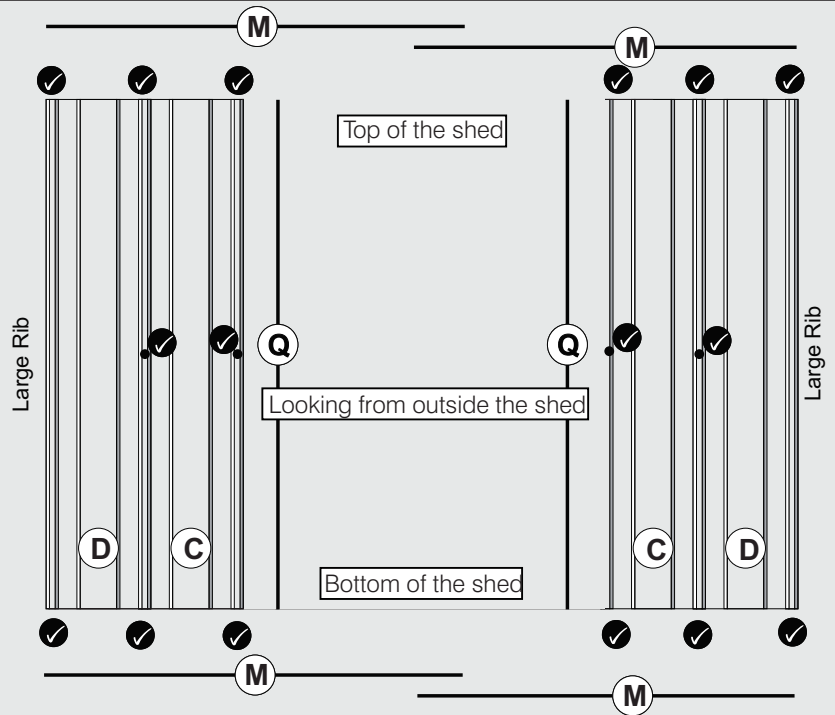
If you are having trouble screwing the channel to the sheets, chock behind the hole .



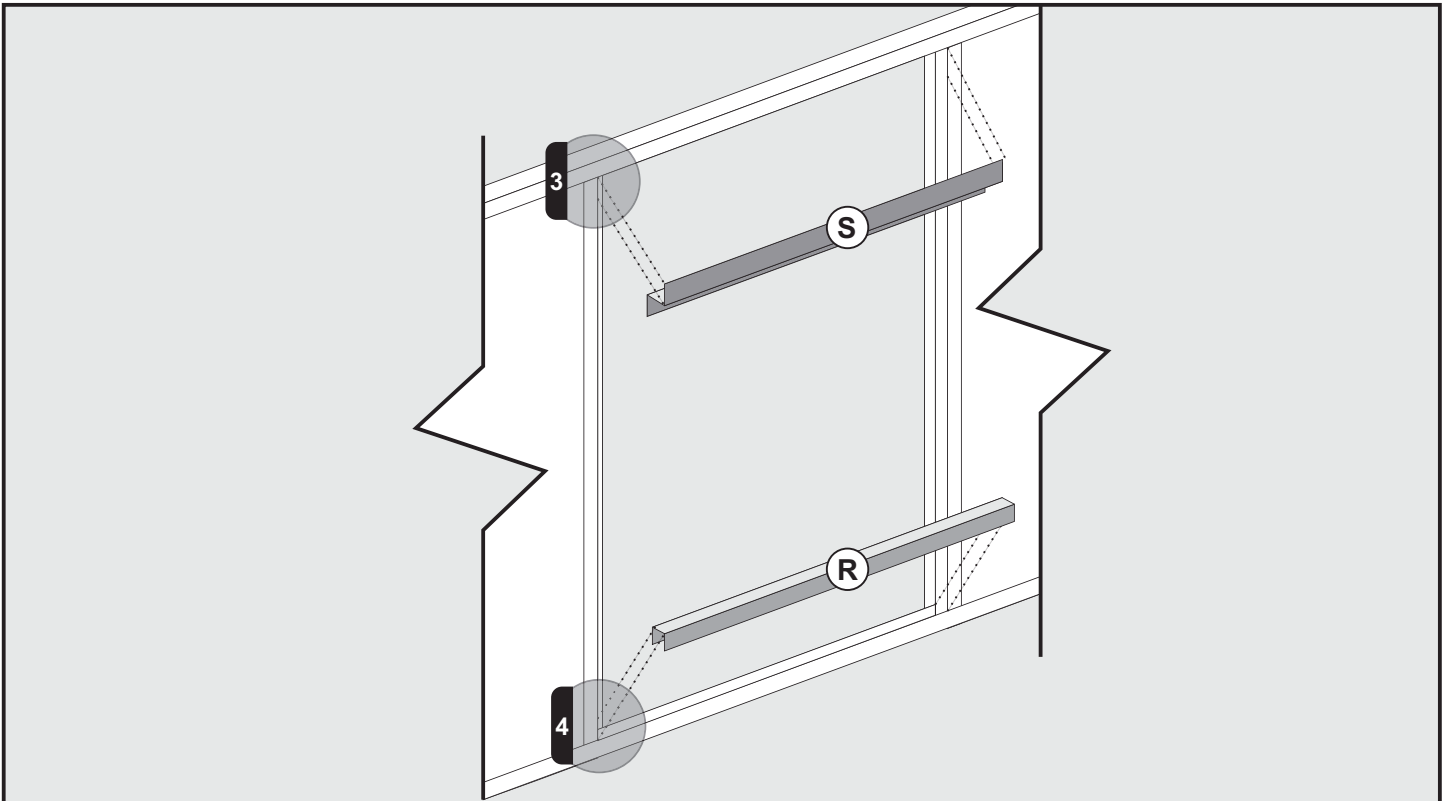
Ensure that the small lip of the channel is to the outside of the shed.
Notched big lip is to inside



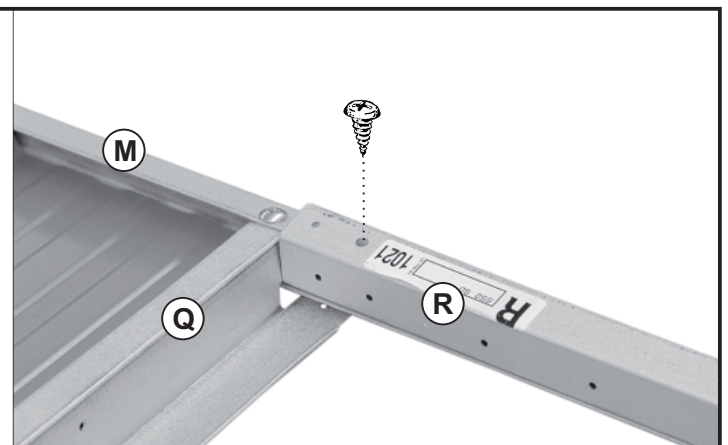
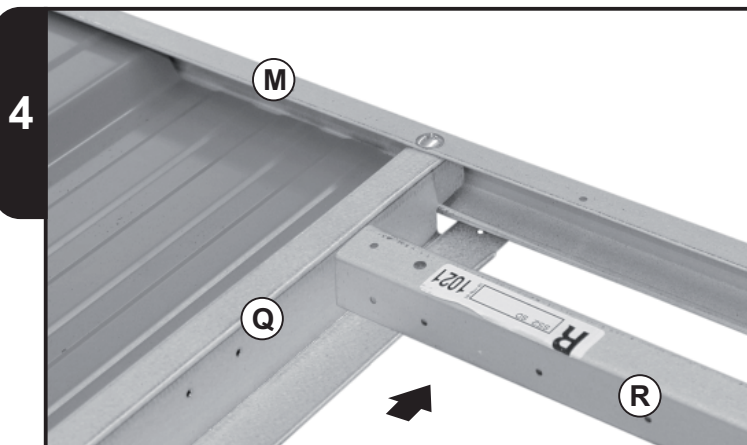
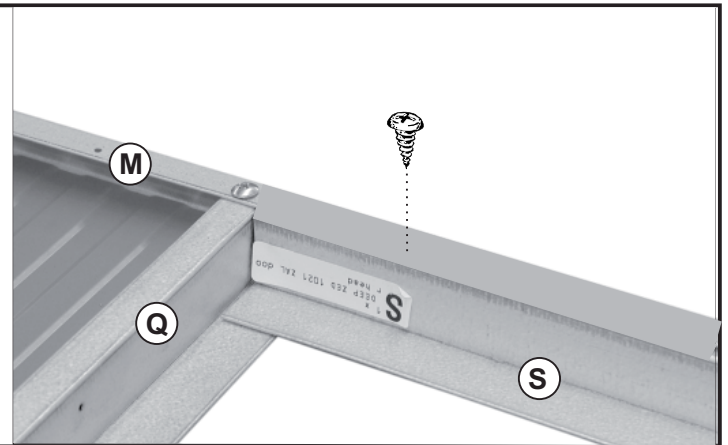
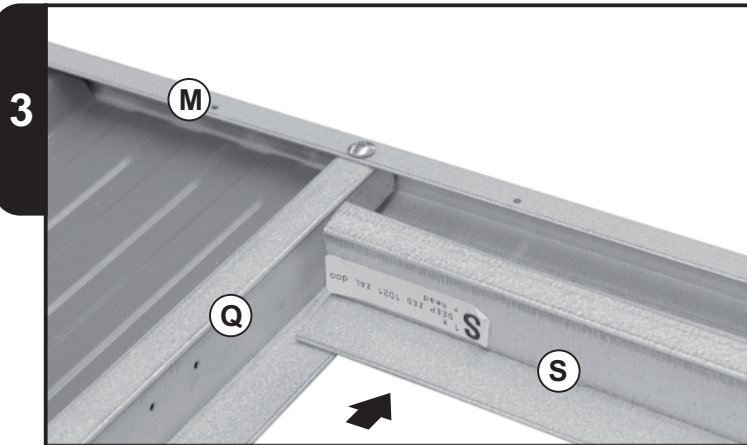
Overlap the top and bottom M channels by 130mm. Fit the top and bottom channel and door jambs to the wall panels. Ensure the large rib on the sheets is to the left on the left side of the door and to the right on the right side of the door. Also ensure the channel is flush with the edge of the sheets.



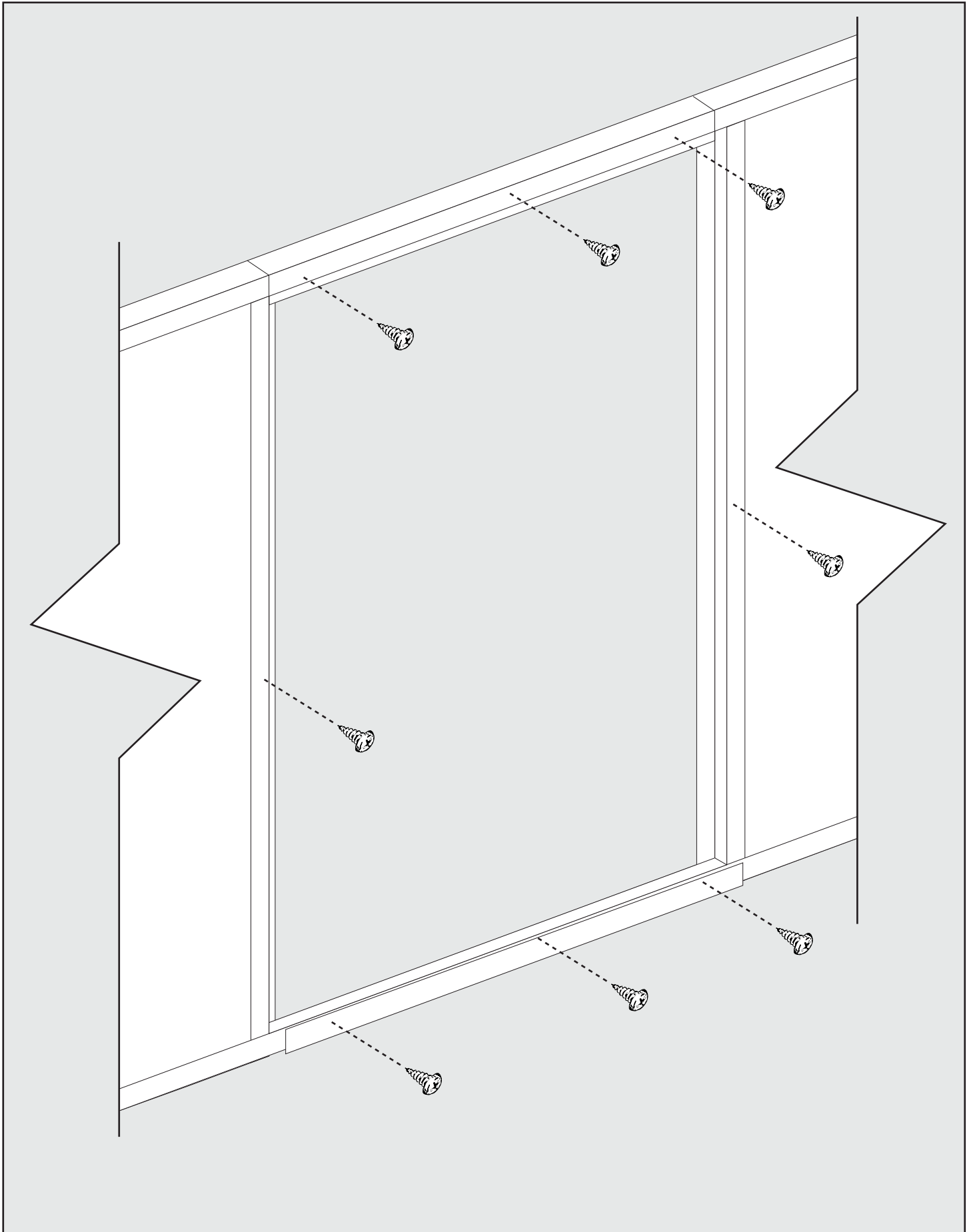
FRONT WALL PANEL



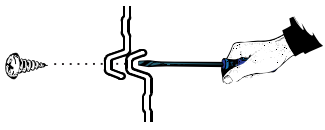
Fit the top door spacer and the bottom door spacer to the front wall panel as shown. Some pilot holes may need to be drilled with the included 2.5mm drill bit



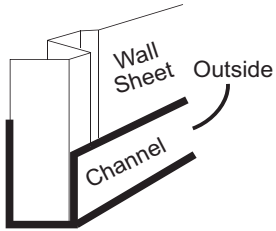
FRONT WALL PANEL



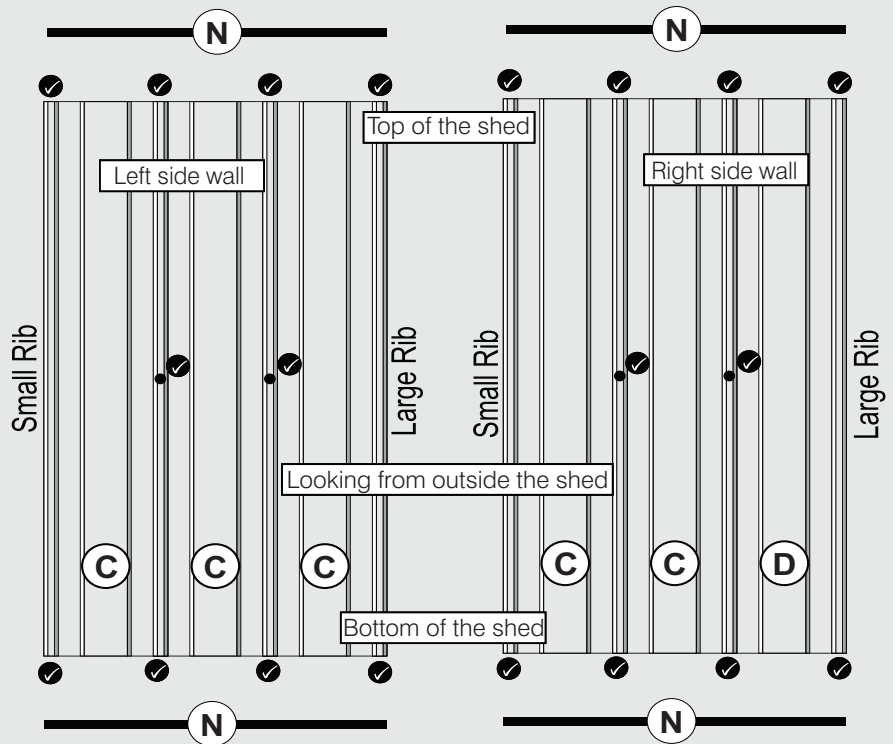
SIDE WALL PANELS (2 REQUIRED)



If you are having trouble screwing the channel to the sheets, chock behind the hole .

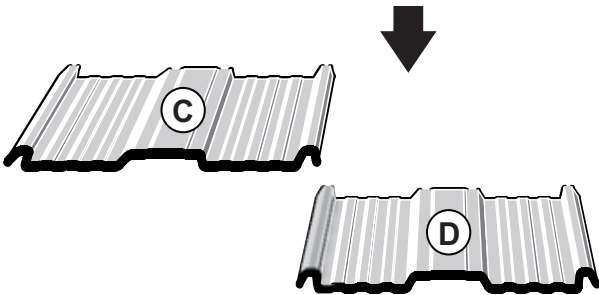


Ensure that the small lip of the channel is to the outside of the shed.

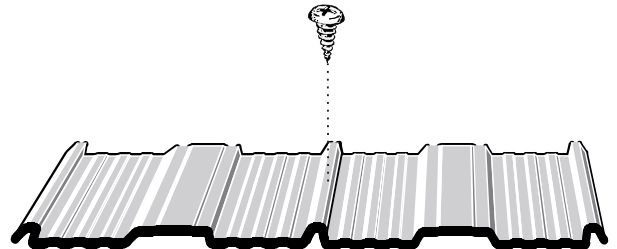


Fit the top and bottom channel to the wall panels. Ensure the channel flush with the edge of the sheets.

1



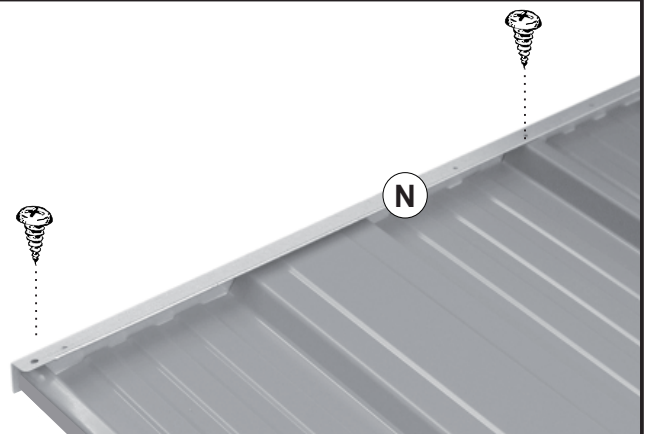
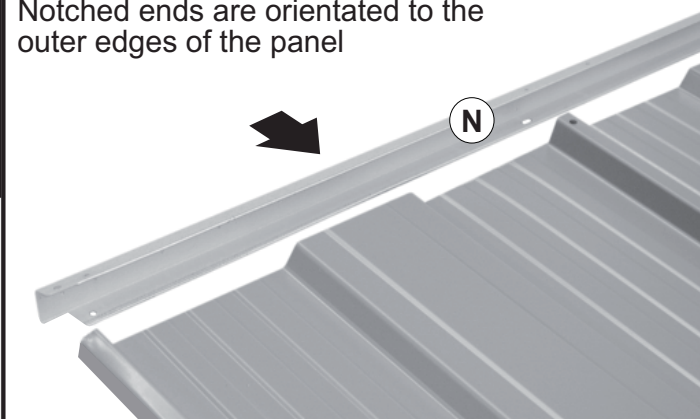
Lay the wall panels out with the large rib overlapping the small.



Screw the wall panels in the centre of the rib as shown.

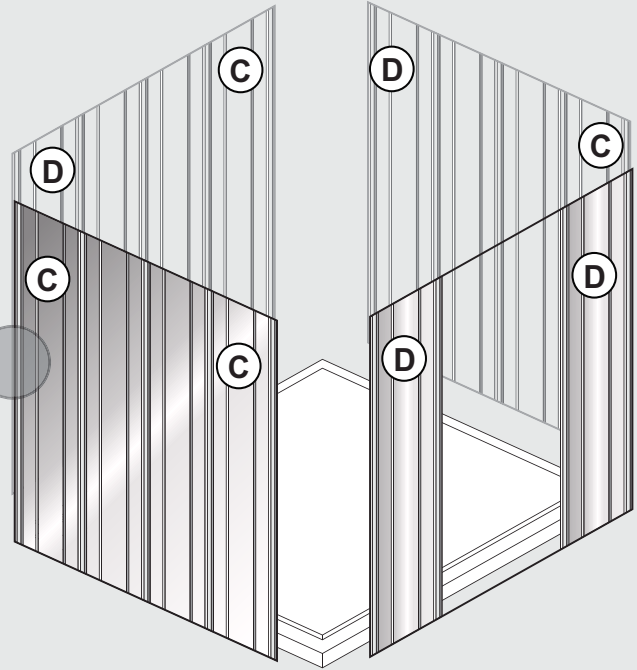
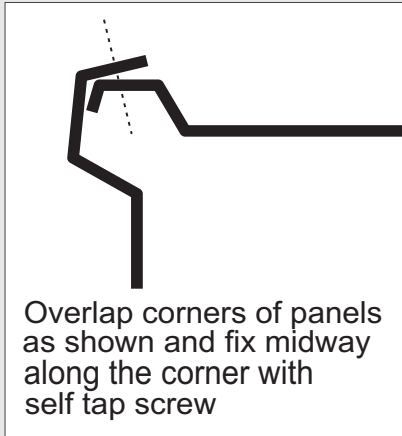
2

Notched ends are orientated to the outer edges of the panel

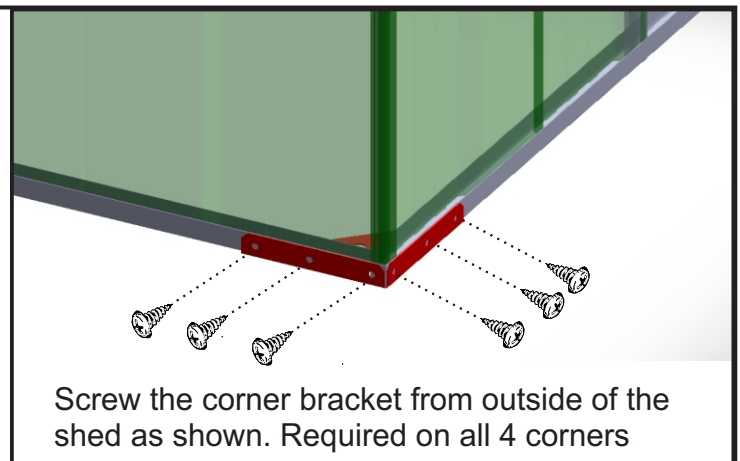
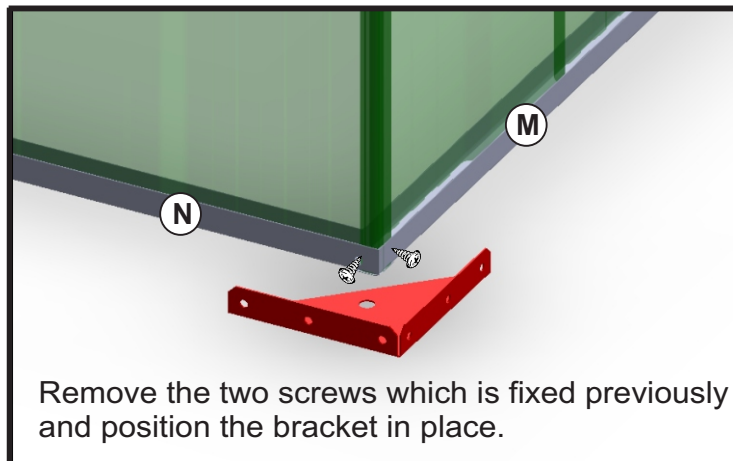
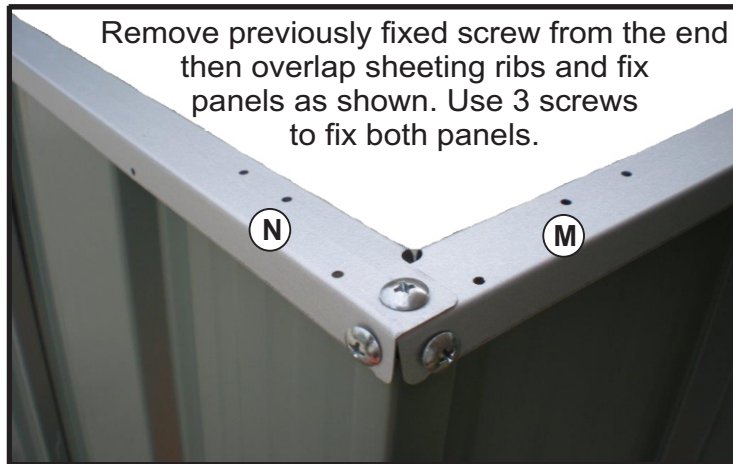


STAND AND JOIN WALL PANELS

NOTE: The diagram below shows a 44 flat roof shed. The assembly process is the same for all flat roof sizes.



Once the four wall panels are assembled, they can now be stood and fixed together. Fix using the corner brackets and screws as shown below. Fix the front panel last. N.B when assembling large wall models, eg. 7 panels width and above, extra care should be taken, with person two providing adequate support to stop the wall from distorting.

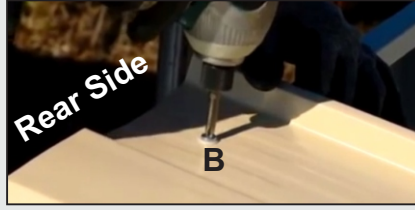


FIT ROOF

1



Step 1: Place roof sheet on top, start from the left, big rib should flush with channel "N". Place all sheets as shown.



Step 2: Start from rear side. Screw all holes "B". Do not screw the hole "A" yet.



Step 3: Screw the front side through all holes "C". one screw per sheet.

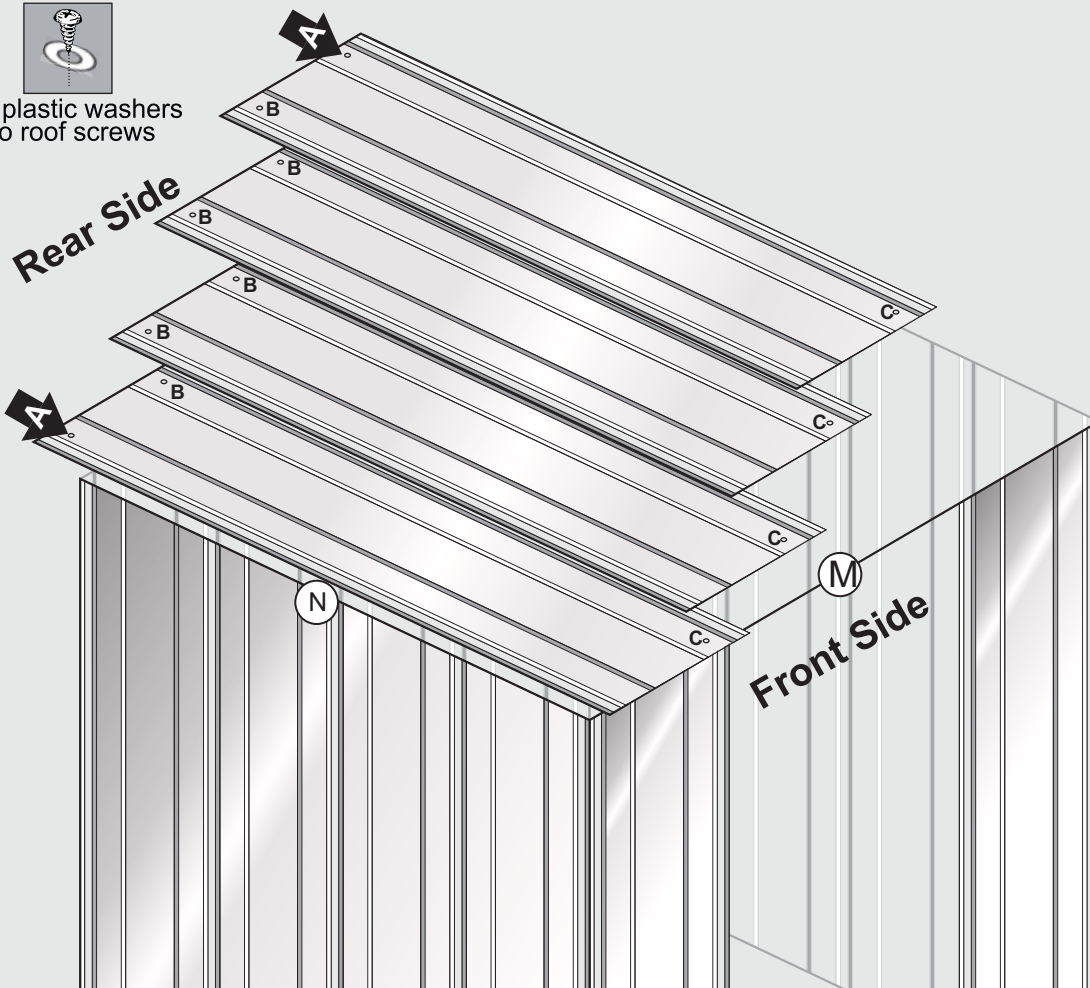


Step 4: Screw the Rear side holes "A". You may either pre drill or use self drilling tek screw to fix this.

Two screw holes should be positioned on the rear side of the shed

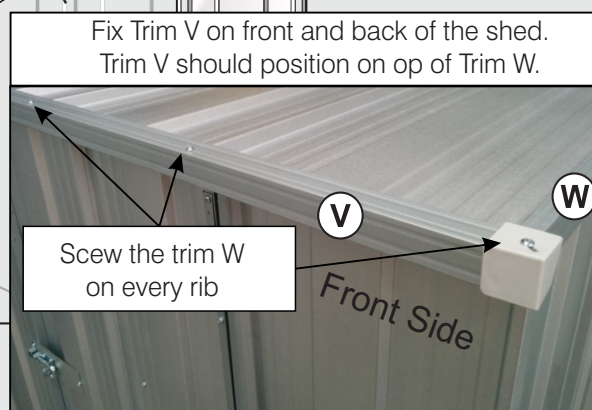
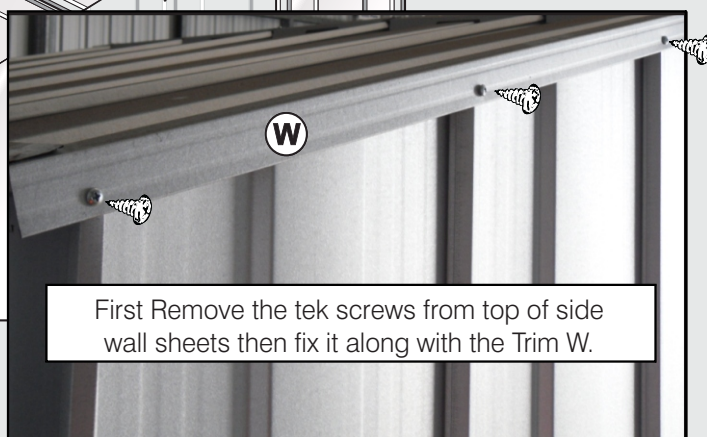
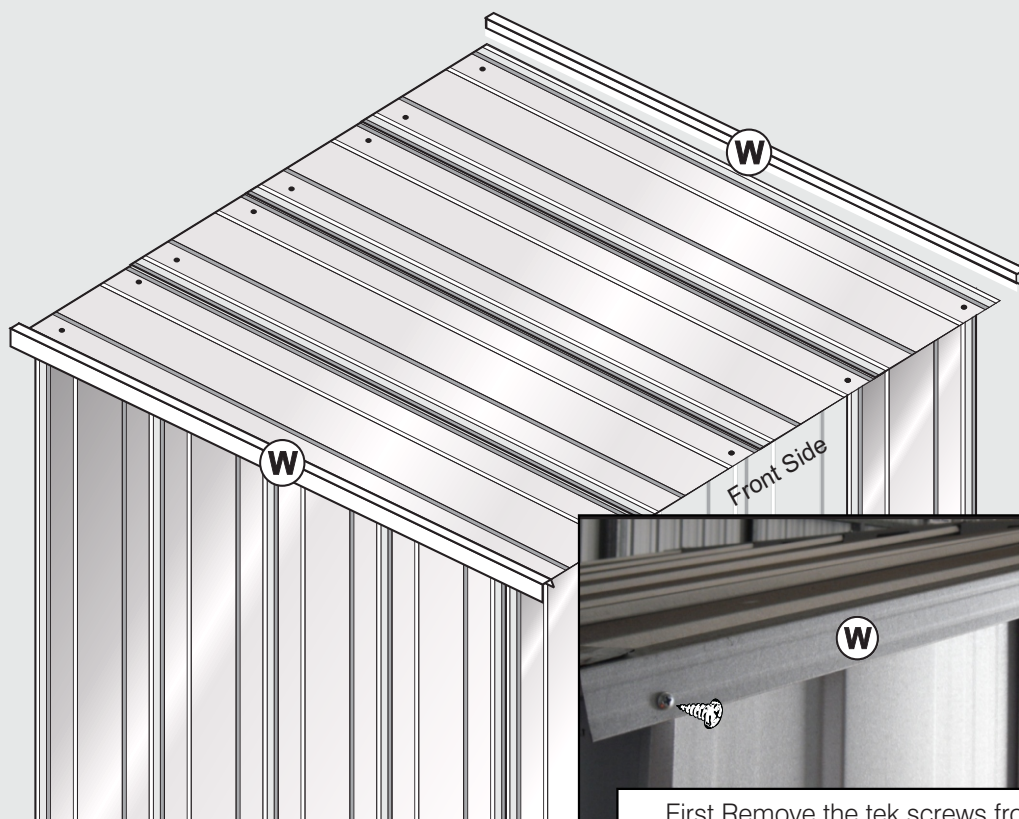


Fit plastic washers to roof screws

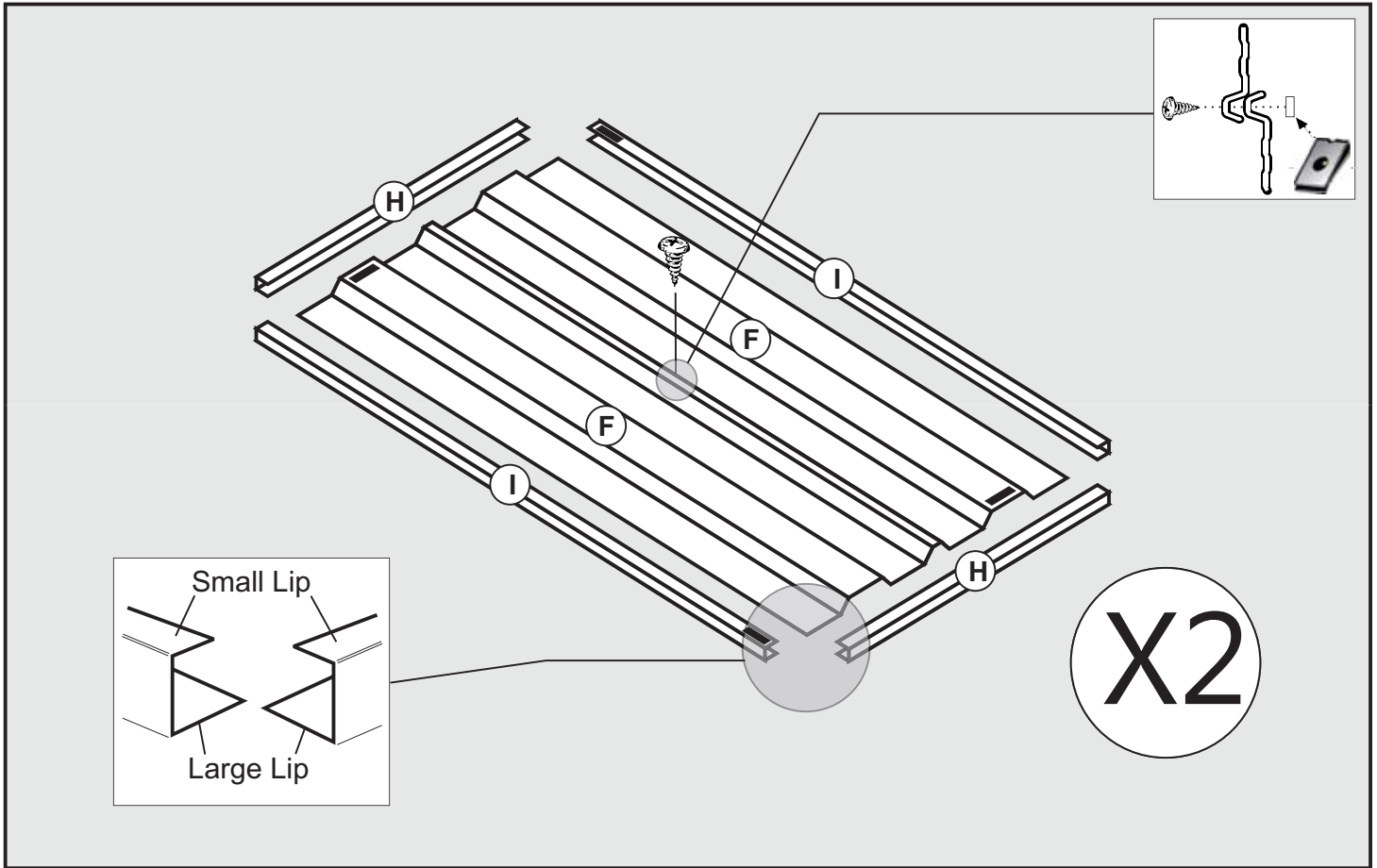


FIT ROOF TRIMS

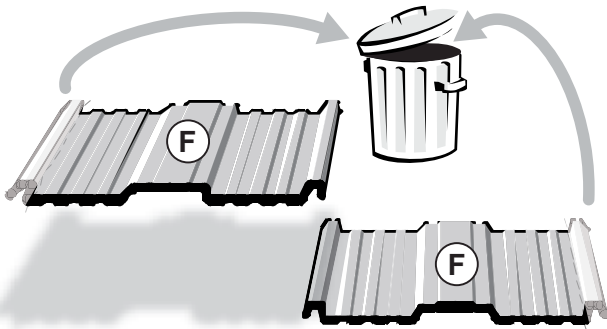
2



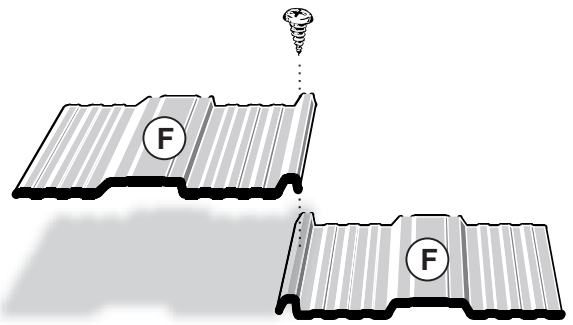
ASSEMBLE DOOR



1



Both of the door sheets come with one rib partially slit. Break them off and discard them.



Screw the sheets in the centre.

2

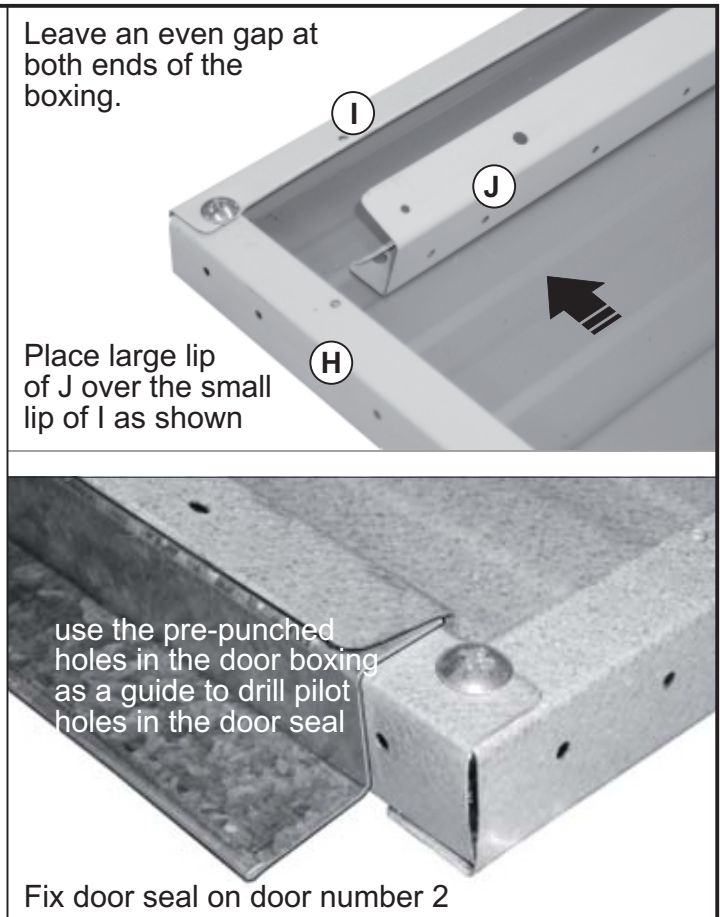
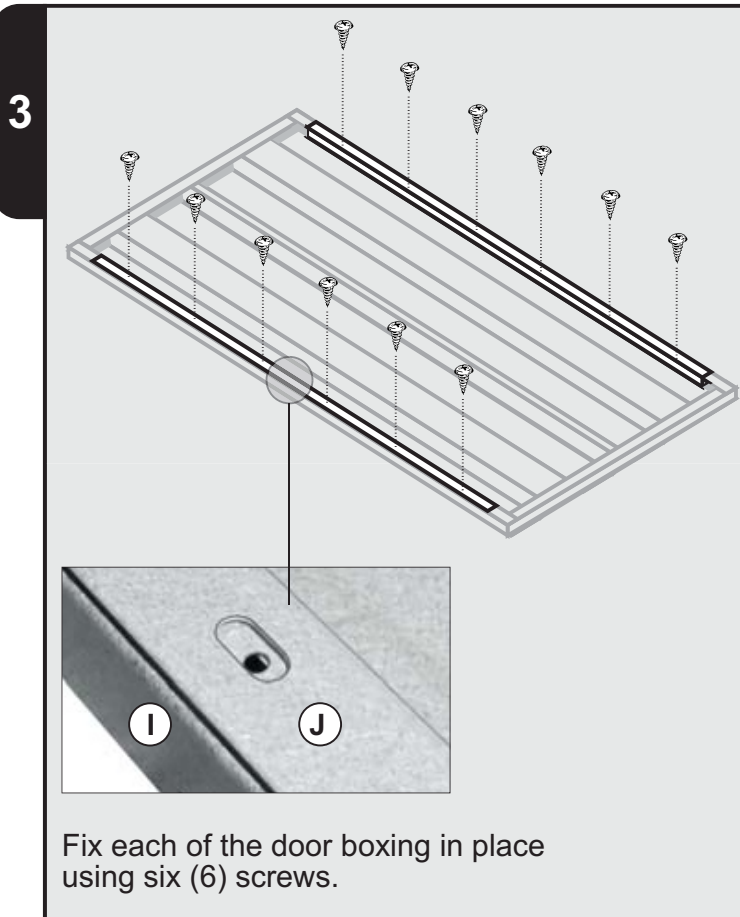
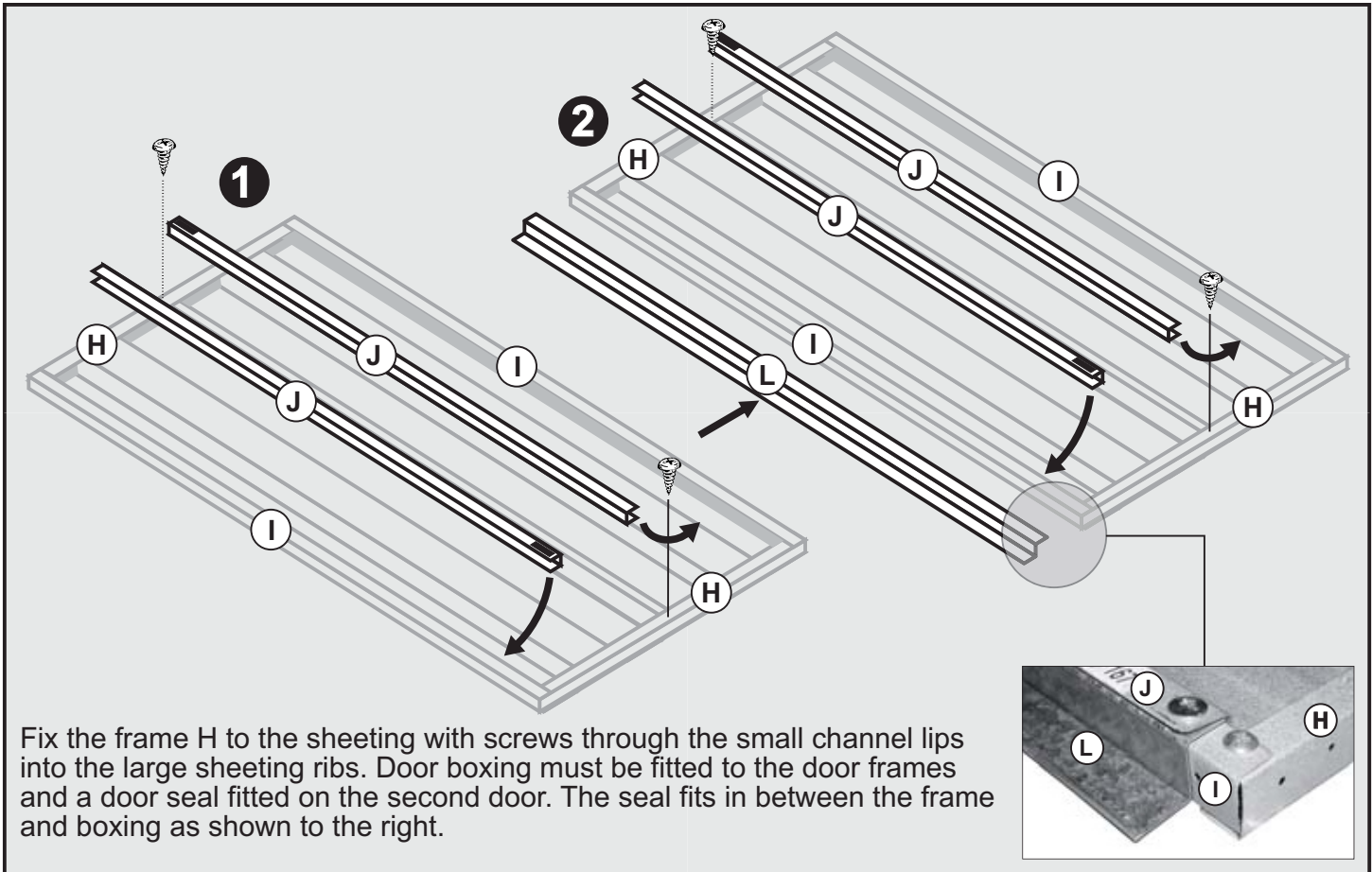
Frames slide under the sheet as shown. Ensure the small lip of the frame is to the top.



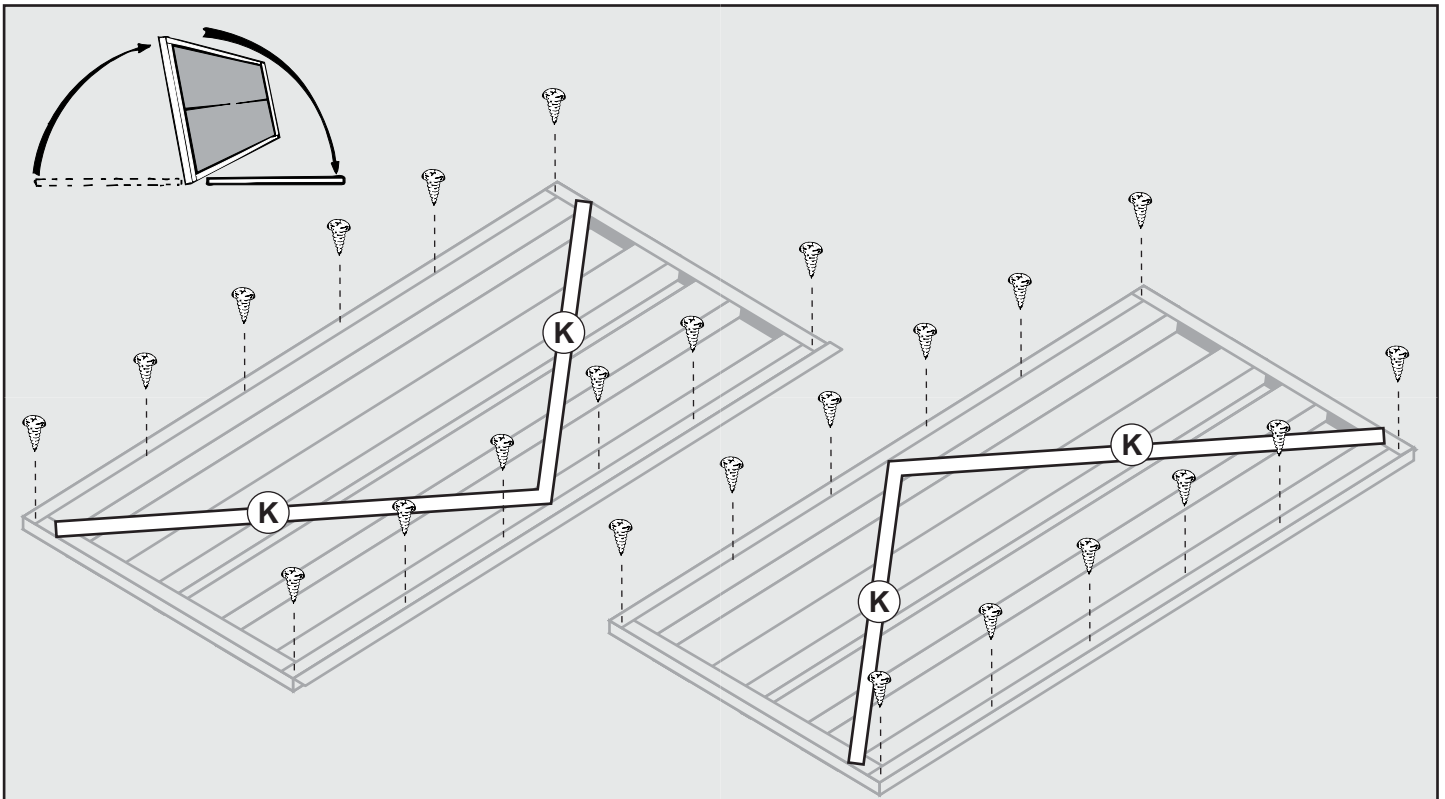
Fix door frames with a screw in each corner. Ensure that the big hole sits over the small.



ASSEMBLE DOOR

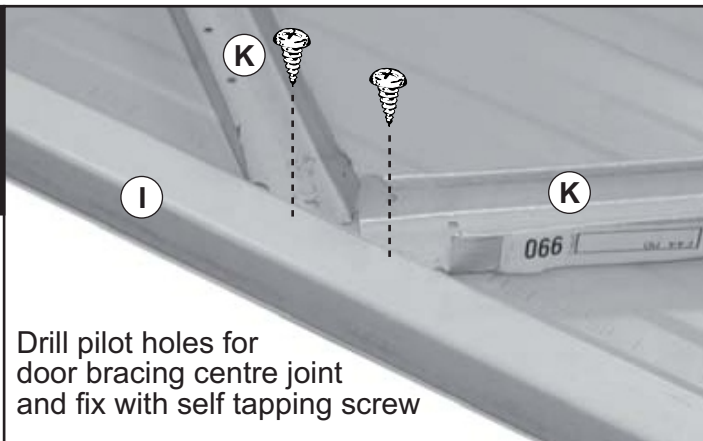


ASSEMBLE DOOR



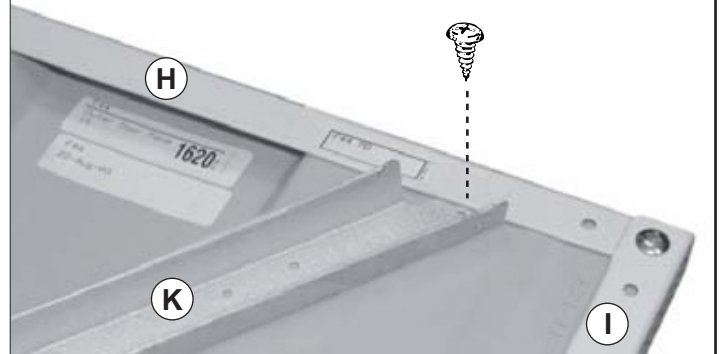
Flip the door assembly's over and fix the door frames with screws evenly spaced as shown above. Door bracing will also need to be fitted to the doors to ensure sturdiness.

4

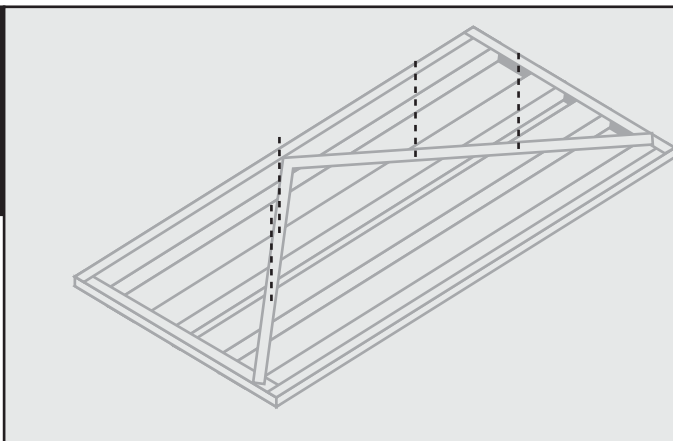


Drill pilot holes for door bracing centre joint and fix with self tapping screw

Drill pilot hole for top and bottom bracing joint, and fix with self tapping screw.



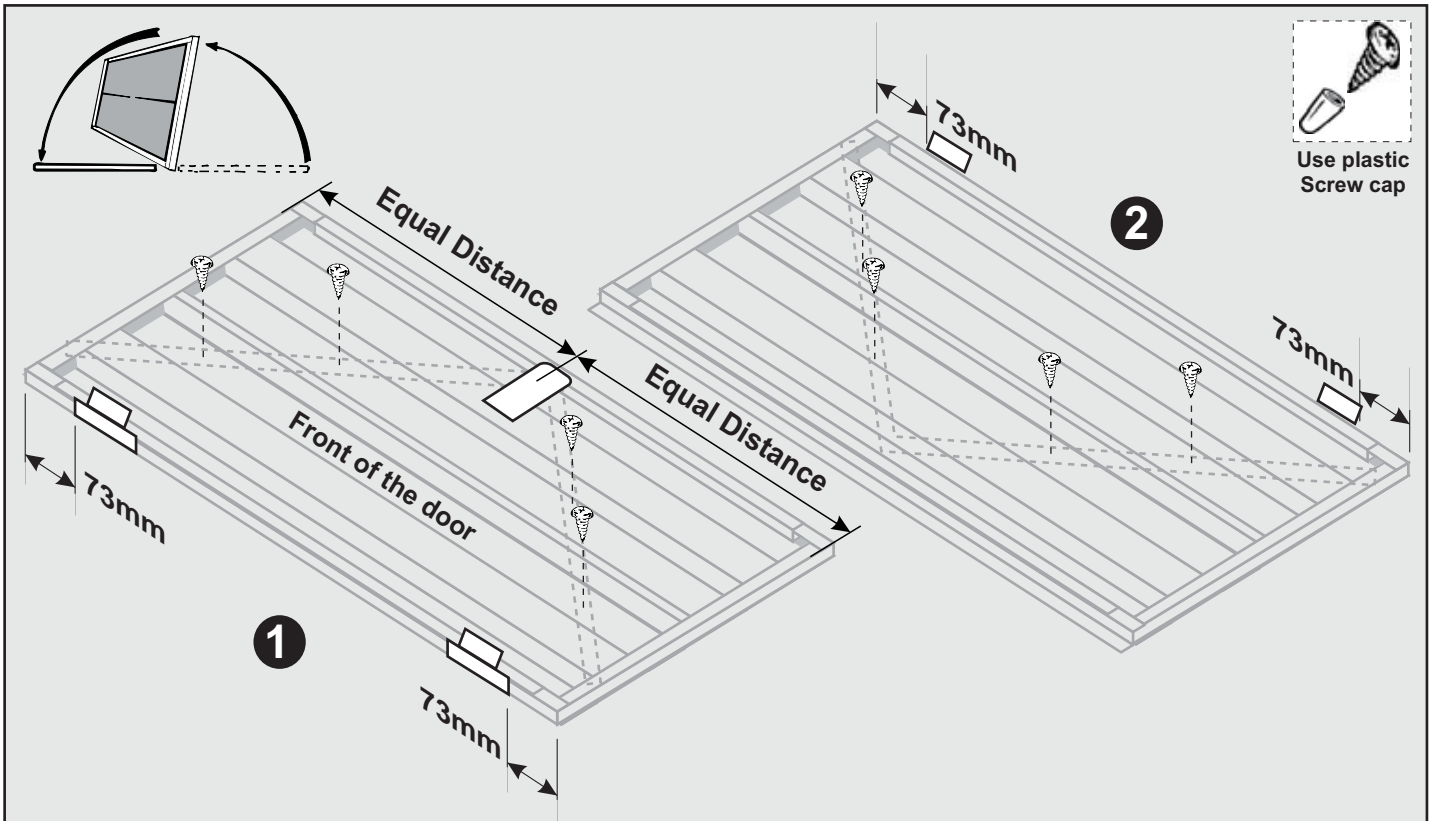
5



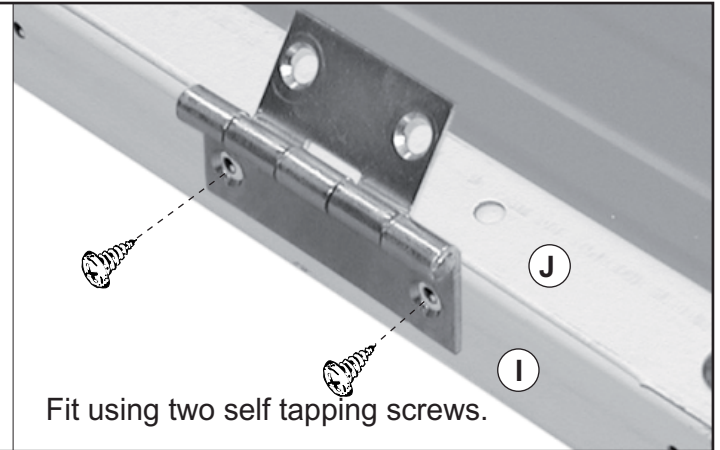
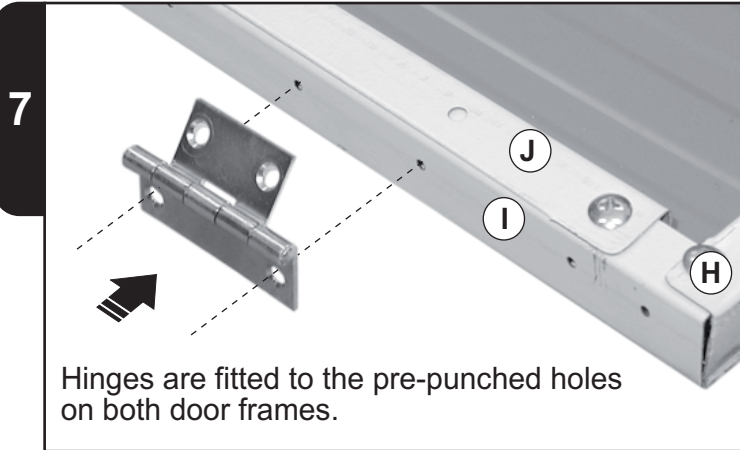
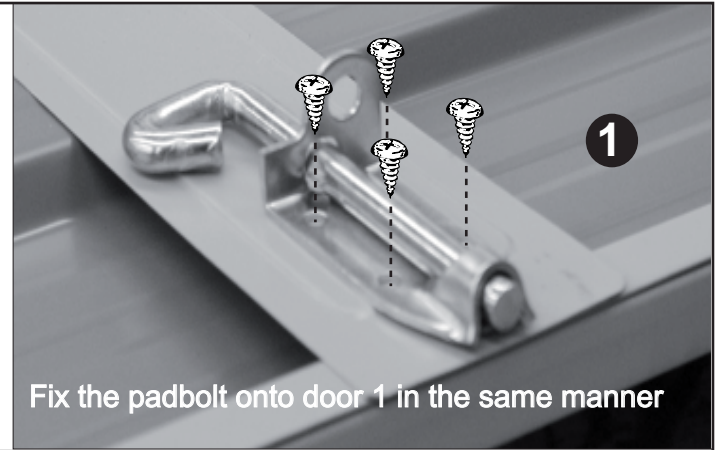
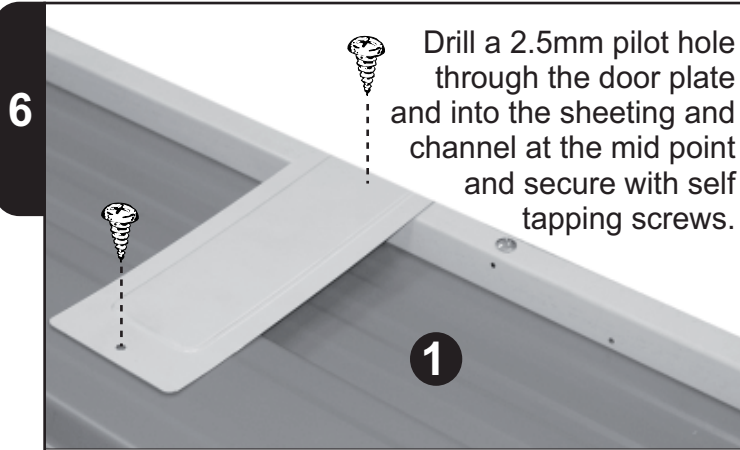
Use the 2.5mm drill bit to drill pilot holes through the door bracing into the door sheeting.

DO NOT FASTEN BRACING YET

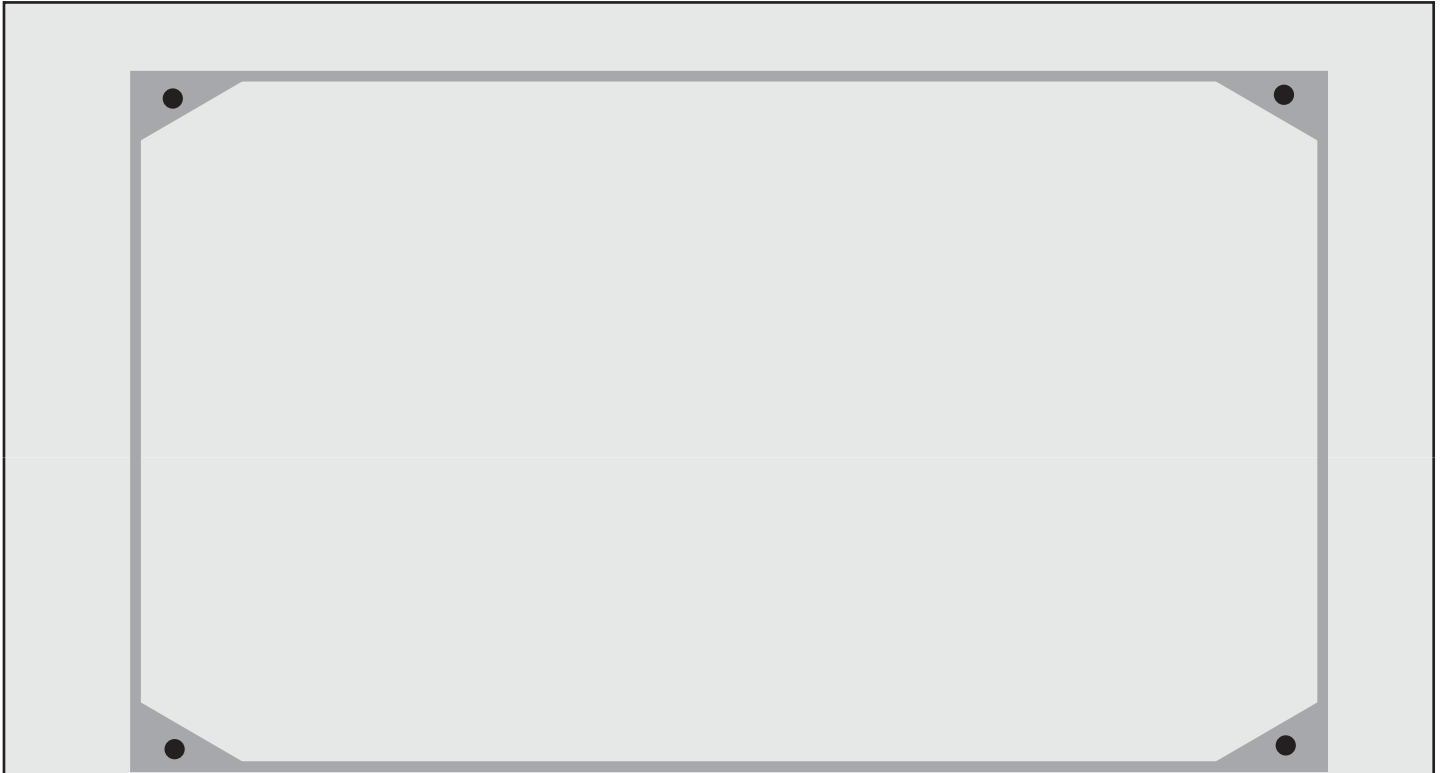
ASSEMBLE DOOR



Flip the door back over to the front side facing up. Using the pilot holes drilled before, fix the door bracing from the front with self tapping screws. Use screw cap on all 8 screws here.

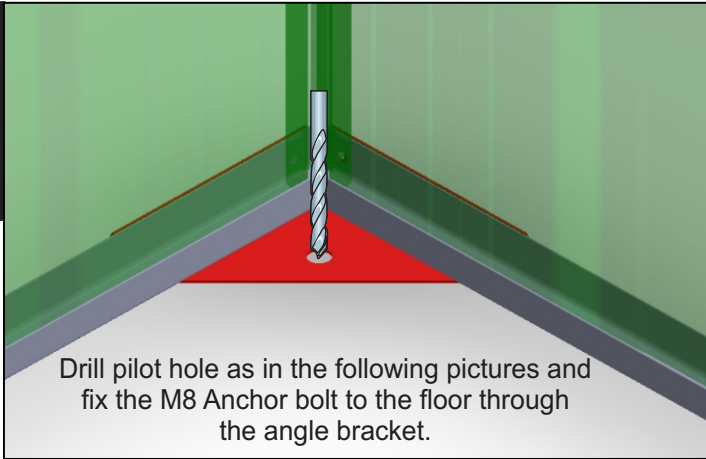


BOLT DOWN

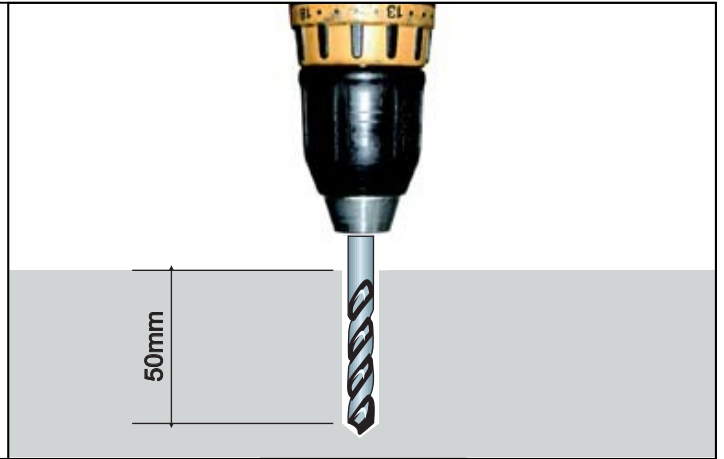


Bolt the shed down through the four corner brackets as shown. Ensure the shed is square.

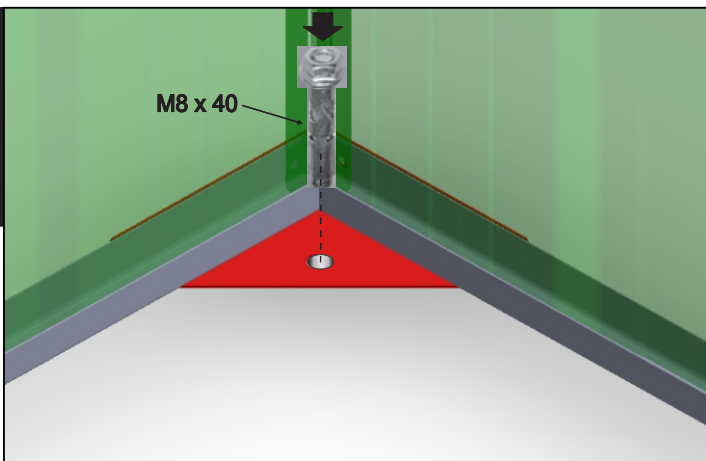
1



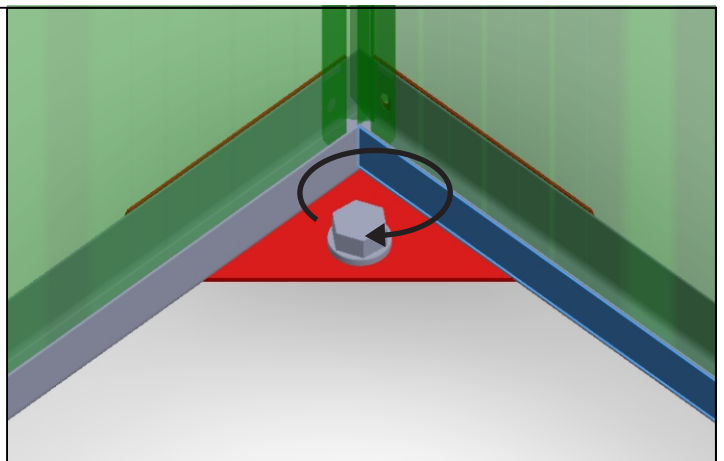
Drill pilot hole as in the following pictures and fix the M8 Anchor bolt to the floor through the angle bracket.



2



M8 x 40

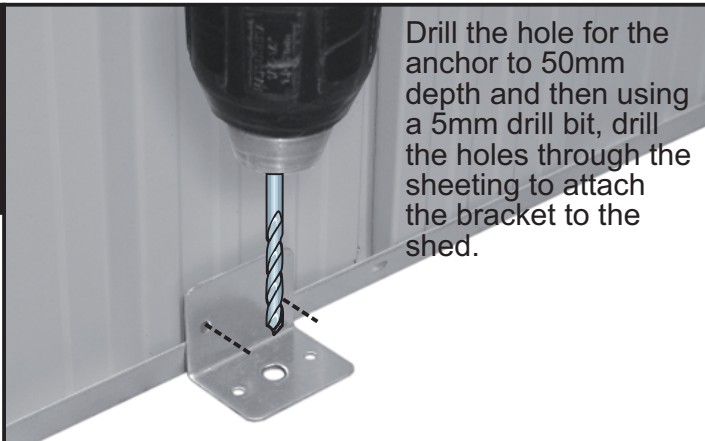


BOLT DOWN

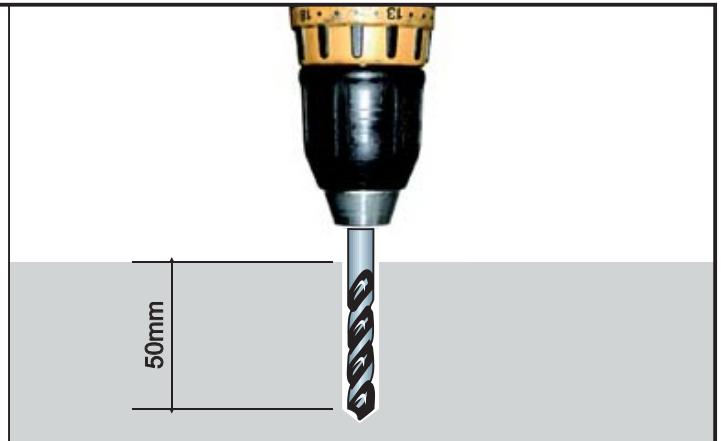


Bolt the shed down through the angle brackets as shown.

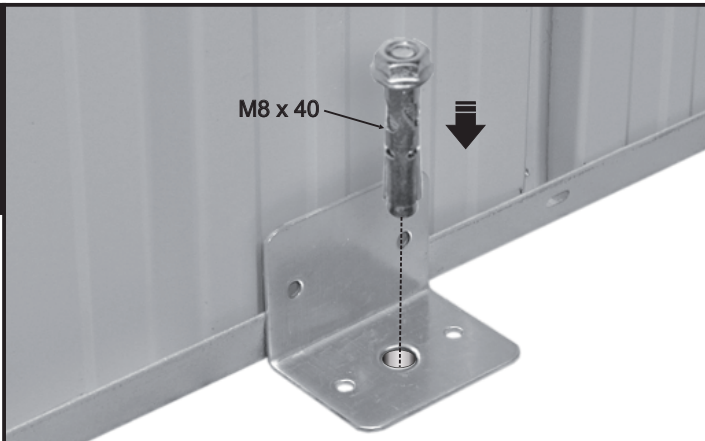
1



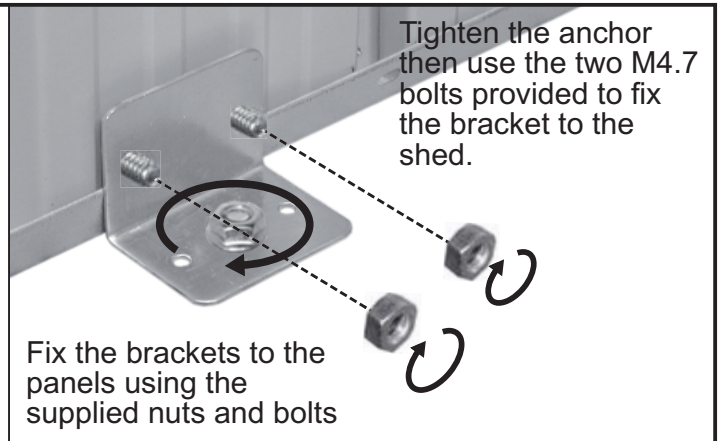
Drill the hole for the anchor to 50mm depth and then using a 5mm drill bit, drill the holes through the sheeting to attach the bracket to the shed.



2



M8 x 40



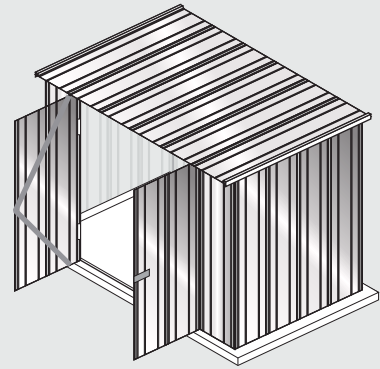
Tighten the anchor then use the two M4.7 bolts provided to fix the bracket to the shed.

Fix the brackets to the panels using the supplied nuts and bolts

HANG DOOR

NOTE: The diagram below shows a 64 flat roof shed. The assembly process is the same for all sheds.

Fit the doors by fixing the hinges to the pre-drilled holes in the door jambs. Fit the padbolt and keeper to the front of the doors. To finish, fix padbolts to the inside, top and bottom of the door with the seal attached.



1



2

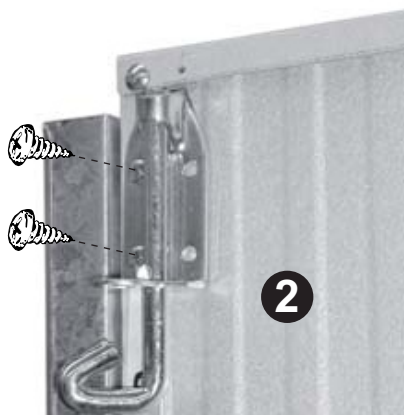


2

Drill pilot holes to accommodate the padbolt keeper and then fix with self tapping screws

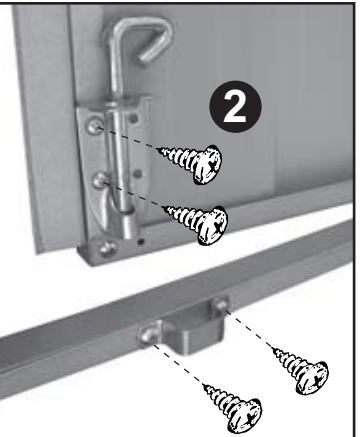
3

Drill pilot holes into the inside of the door frame of the second door next to the door seal and then fix with self tapping screws.



2

Drill pilot holes into the inside of the front wall bottom channel to accommodate the padbolt keeper and then fix with self tapping screws



2



Simple, Strong,
Quick & Easy

15 Years Warranty

Thank you for purchasing FASTTRAK® system steel garden shed.®

Your personal warranty is backed by the manufacturer of FASTTRAK system garden sheds, and our proven commitment to quality and customer service.

Our goods come with guarantees that cannot be excluded under Australian consumer law.

You are entitled to a replacement or refund of a major failure and compensation for any reasonably foreseeable loss or damage. You are also entitled to have the goods repaired or replaced if the goods fail to be of acceptable quality and the failure does not amount to a major failure. Cost of claiming the warranty will be by the claimant.

This warranty is in addition to other rights and remedies of the customer under law.

Eligibility

- The 15 year warranty is eligible only to the original purchaser/owner of the shed as registered within 60 days from the date of purchase and is not transferrable.
- The warranty is valid for Australia.
- The warranty is subject to location and local environmental conditions outlined in the warranty exclusions below.

What is covered under the warranty?

FASTTRAK® steel garden shed 15 year warranty is limited to the following specific cover.

1. Zinc and/or galvanised panel materials will not rust
2. Coloured panel materials will not rust, flake, peel or blister.

Please note the 15 year warranty does not apply to any accessory items such as fasteners, Hasp, Pad bolts, also including flooring kits, shelving, hook sets, tool racks etc.

Warranty Qualifications & Limitations

The FASTTRAK® 15 year warranty is subject to the following qualifications and limitations

1. Warranty does not apply to surface deterioration of the panels caused specifically by
 - a. "Swarf"(tiny particles of steel debris left from cutting, grinding or drilling operations) that have not been dutifully removed during the assembly construction process.
 - b. As a result of contact with damp soil, chemicals, fertilisers, or other corrosive substances
2. Warranty does not cover damage caused by storms, wind, rain, hail, snow or any other adverse environmental event or "act of god"
3. Warranty only applies if the shed is used solely for domestic purposes and installation is in accordance and compliance with the FASTTRAK® instruction manual and manufacturer recommendations.
4. Warranty does not apply if the shed is installed / located in
 - a. Ocean/surf locations (typically defined as within 1km from coastal or tidal locations),
 - b. Severe industrial locations
 - c. Unusually corrosive environments (e.g. Geothermal / Sulphuric conditions)
5. Warranty does not cover any damage as a result of
 - a. Any impact
 - b. Due to poor foundations
 - c. Modifications
 - d. Build-up of debris on or in roof or walls
 - e. Poor assembly and/or construction
6. The warranty will be void if the shed has been relocated from its original location / address
7. The warranty is limited to the replacement and delivery of panels and specifically excludes any labour, installation or removal/disposal costs.
8. Warranty applies to the exclusions of all other representations, guarantees or warranties, either expressed or implied unless otherwise required by applicable legislation.
9. Your warranty registration certificate and supporting documentation must be completed and lodged within 60 days of the date of purchase.

Warranty Claims

All warranty claims should be made in writing sent directly to:

Australia

FASTTRAK
PO Box 1581,
Browns Plains, Queensland, 4118

Claims must include:

- a) Original proof of purchase documentation
- b) Relevant contact information
- c) Product model
- d) Photographic evidence
- e) Description of the damage



**Simple, Strong,
Quick & Easy.**

Warranty Registration Certificate

Owners Details

Owners Name:

Street Address:

City:

Postcode:

Email:

Building Details

Product Model Number:

Colour:

Place of Purchase:

Purchase Date:

Please attach here a photocopy of proof of purchase

Retain the original for your records

You must submit your warranty registration certificate within 60 days of the purchase date of your FASTTRAK® garden shed.

Post your certificate and supporting documentation to:

Australia

FASTTRAK

PO Box 1581, Browns Plains

Queensland, 4118

FASTTRAK

**Simple, Strong,
Quick & Easy.**

