

FASTTRAK

Simple, Strong,
Quick & Easy.

SLIMLINE F63-D

ASSEMBLY INSTRUCTIONS

REVISION 04/15



How to build Video

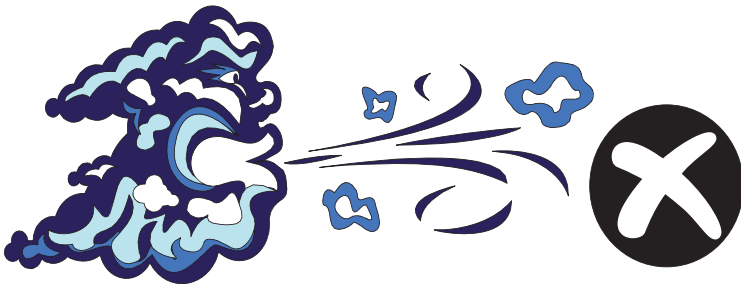


W2105mm x D1070mm x H1800mm

NOTES

BEFORE COMMENCING SHED ASSEMBLY, CHECK ALL PARTS. IF THERE IS A DISCREPANCY, PLEASE CALL SPANBILT (SEE REAR OF INSTRUCTION BOOK)

DO NOT ASSEMBLE IN WINDY CONDITIONS



READ INSTRUCTIONS FIRST



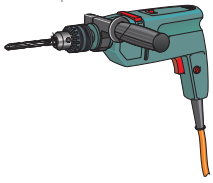
2 PERSON ASSEMBLY



THE MANUFACTURERS CANNOT BE HELD RESPONSIBLE FOR ANY CONSEQUENCES DUE TO SHEDS THAT ARE NOT INSTALLED PER INSTRUCTIONS OR FOR DAMAGE DUE TO WEATHER CONDITIONS, ACTS OF GOD OR FOR SHEDS THAT ARE LEFT PARTIALLY ASSEMBLED OVERNIGHT. PARTS MAY CONTAIN SHARP EDGES & CORNERS. CARE MUST BE TAKEN WHEN HANDLING VARIOUS PIECES TO AVOID A MISHAP, FOR SAFETY SAKE, PLEASE USE A PAIR OF WORK GLOVES, EYE PROTECTION & PROTECTIVE CLOTHING WHEN ASSEMBLING OR PERFORMING ANY MAINTENANCE ON THE BUILDING.

Subject to changes © SPANBILD PTY LIMITED

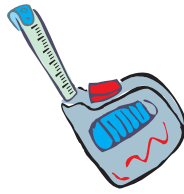
TOOLS REQUIRED



Electric Drill



Cordless Drill



Measuring Tape



Screwdrivers



8mm Masonry Drill Bit



Shifting Spanner



Builders Pencil



5mm Drill bit



Rubber Mallet



Sturdy Ladder
(two if possible)



Gloves



Protective Eyewear

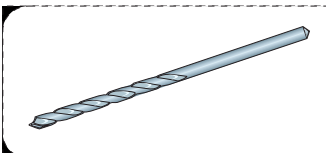
HANDY HINTS FOR CONSTRUCTION

Read instructions and check parts carefully before assembling the shed.

Please wear safety gloves and glasses at all times to protect against sharp metal edges.

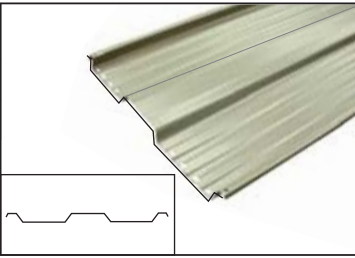
Do not assemble in windy conditions as panels may be difficult to handle and damage may result.

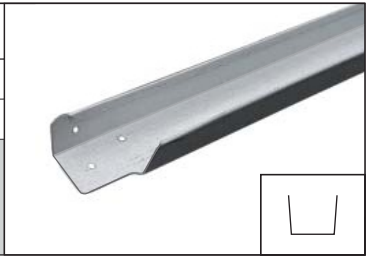
Do not back fill against the shed as this will result in corrosion. Allow drainage from the site.

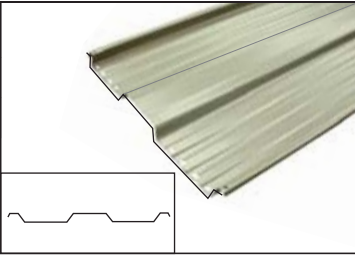


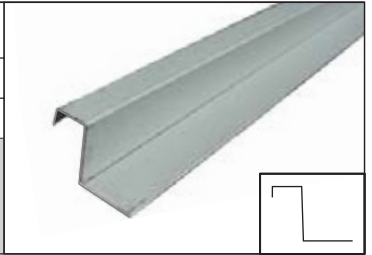
MOST PILOT HOLES ARE PRE-PUNCHED AND IN THIS CASE DRILLING HOLES IS NOT NECESSARY, HOWEVER SOME PILOT HOLES NEED TO BE DRILLED WITH THE INCLUDED 2.5MM DRILL BIT WHERE INDICATED

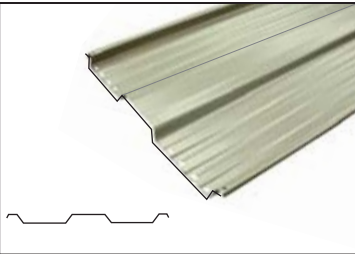
PARTS LIST

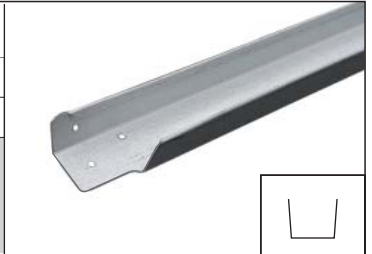
PRODUCT ID	C	
Length	1800mm	
Quantity	10	
Description: Wall Panel		

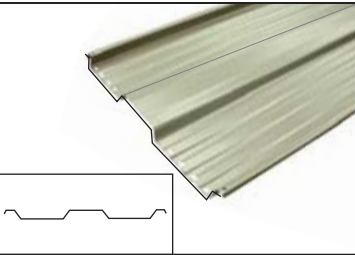
PRODUCT ID	K	
Length	1040mm	
Quantity	4	
Description: Door Bracing		

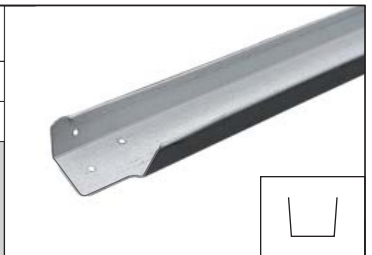
PRODUCT ID	D	
Length	1800mm	
Quantity	4	
Description: Wall Corner Panel		

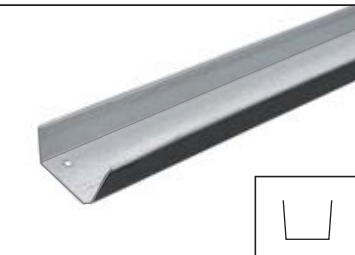
PRODUCT ID	L	
Length	1706mm	
Quantity	1	
Description: Door Seal		

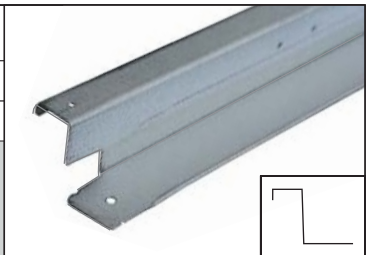
PRODUCT ID	E	
Length	1149mm	
Quantity	6	
Description: Roof Panel		

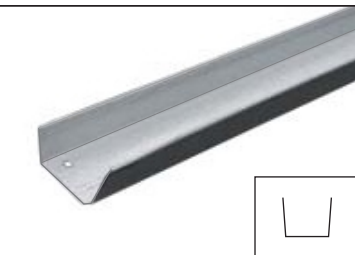
PRODUCT ID	M	
Length	2099mm	
Quantity	4	
Description: Top/Bottom Front/Rear Channel		

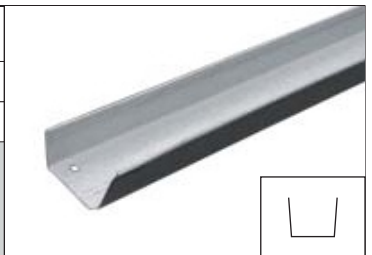
PRODUCT ID	F	
Length	1738mm	
Quantity	4	
Description: Door Panel Side (partially slit)		

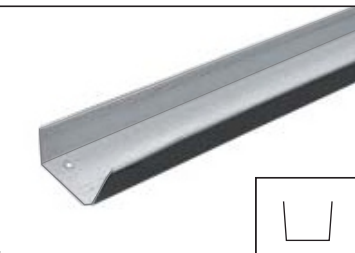
PRODUCT ID	N	
Length	1061mm	
Quantity	4	
Description: Side Channel Top/Bottom		

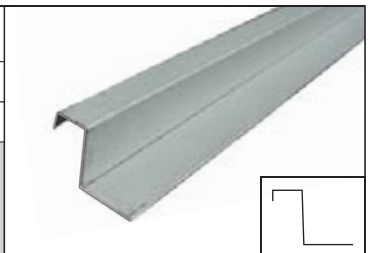
PRODUCT ID	H	
Length	674mm	
Quantity	4	
Description: Door Frame Top/Bottom		

PRODUCT ID	Q	
Length	1800mm	
Quantity	2	
Description: Door Jamb		

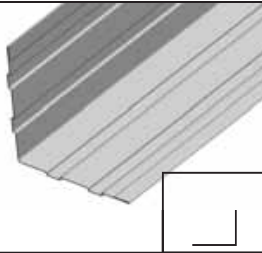
PRODUCT ID	I	
Length	1742mm	
Quantity	4	
Description: Door Frame Side		


PRODUCT ID	R	
Length	1367mm	
Quantity	1	
Description: Bottom Door Spacer		

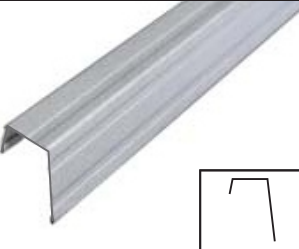
PRODUCT ID	J	
Length	1706mm	
Quantity	4	
Description: Door Boxing		


PRODUCT ID	S	
Length	1367mm	
Quantity	1	
Description: Top Door Spacer		


PARTS LIST

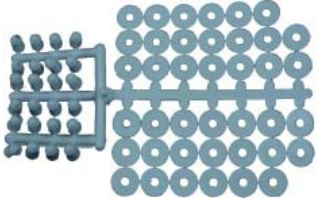
PRODUCT ID	V	
Length	2096mm	
Quantity	2	
Description:	Gutter Trim	


Quantity	3	
Description:	Padbolt	


PRODUCT ID	W	
Length	1141mm	
Quantity	2	
Description:	Roof Angle Trim	


Quantity	2	
Description:	Keeper	

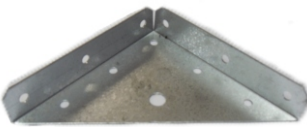
Quantity	200	
Description:	Self Tapping Screws - Silver	


Quantity	1	
Description:	Plastic Washer and Screw Cap Sheet	


Quantity	1	
Description:	2.5mm Drill Bit	


Quantity	4	
Description:	Plastic Corner Cap	


Quantity	2	
Description:	Clip Nut	

Quantity	4	
Description:	Corner Bracket	

Quantity	4	
Description:	Hinges (offset)	

Quantity	3	
Description:	55mm Bracket	

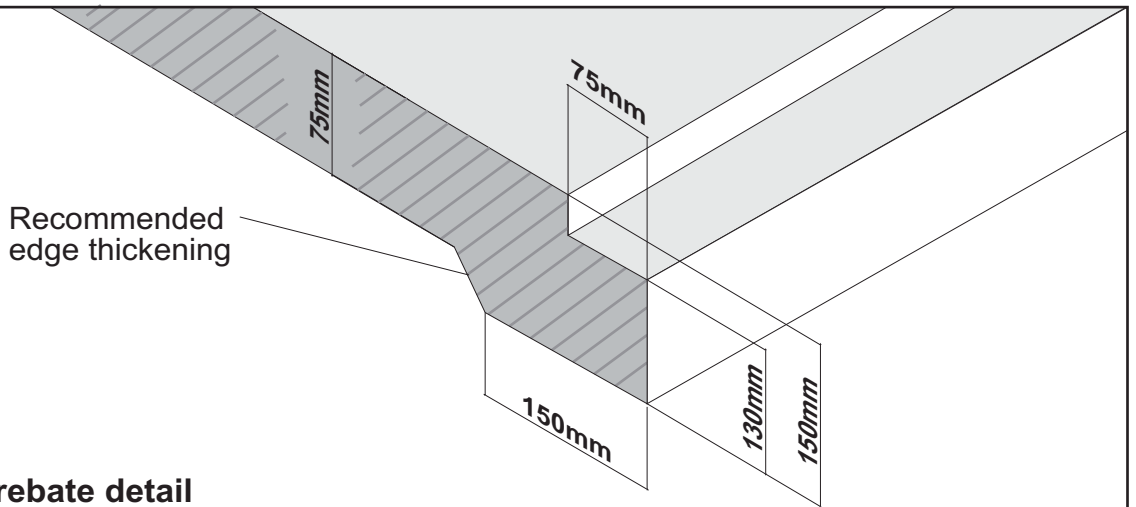
Quantity	1	
Description:	Door Plate	

Quantity	6	
Description:	3/16" Nut & Bolt	

PARTS LIST

					
Quantity	7		Quantity	1	
Masonry Anchor			Phillips Head Bit		

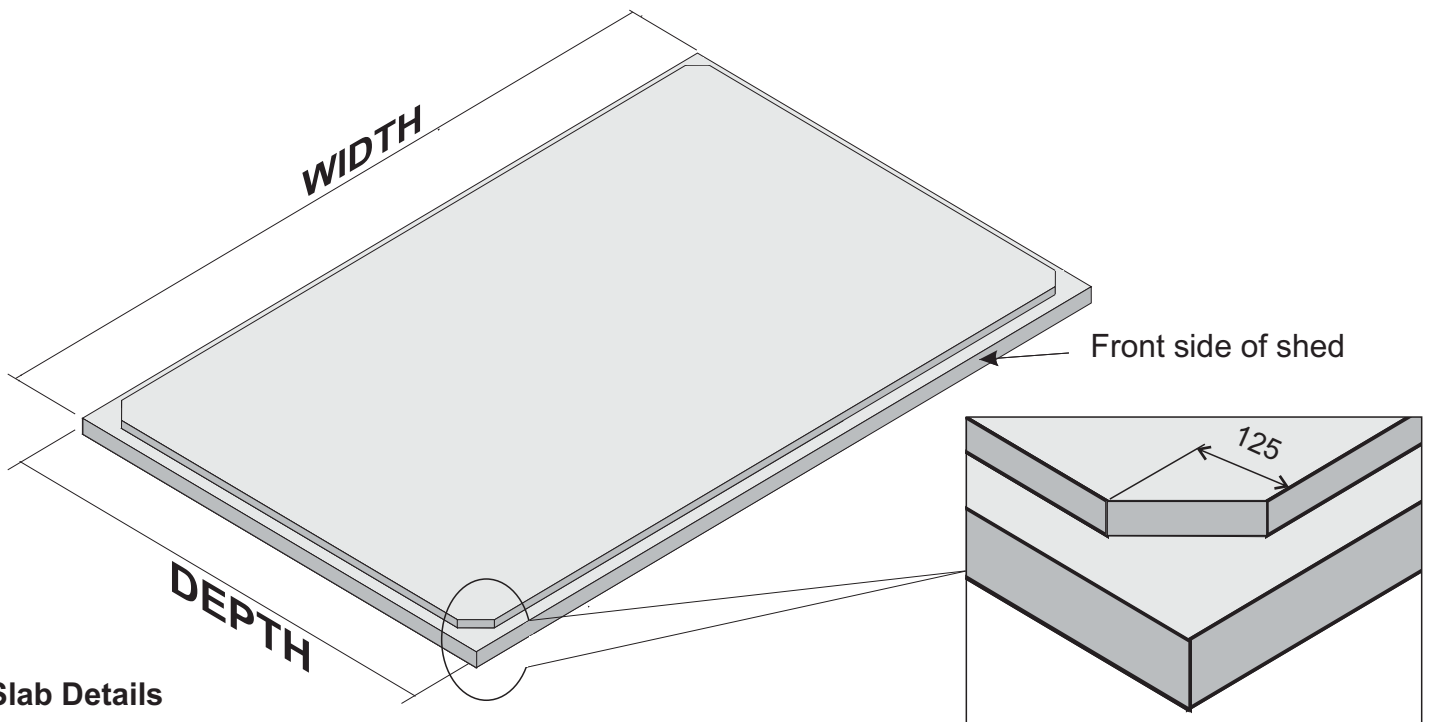
FOUNDATION



Recommended slab rebate detail

Although *not required*, it is strongly recommended that, to avoid water leakage around the base of your shed, a rebate be cast into the slab. This will allow the shed to sit below the slab level and prevent water from reaching the upper level of the slab.

If you planning a rebated slab make sure to cut the 4 corners at $125 \times 45^\circ$ as shown in detail below.



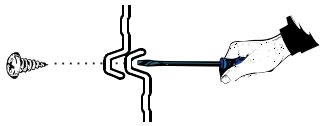
Slab Details

Your garden shed must be erected on a solid, level and square foundation. We strongly recommend you pour a concrete slab 75mm thick, reinforced with SL62 mesh (minimum) using dimensions from the table below.

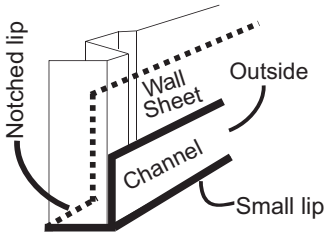
Masonry anchors are supplied

SHED CODE	OUTER SLAB SIZE width x depth	ANCHORS M8 x 40mm
SL63-D	2205mmx1170mm	7

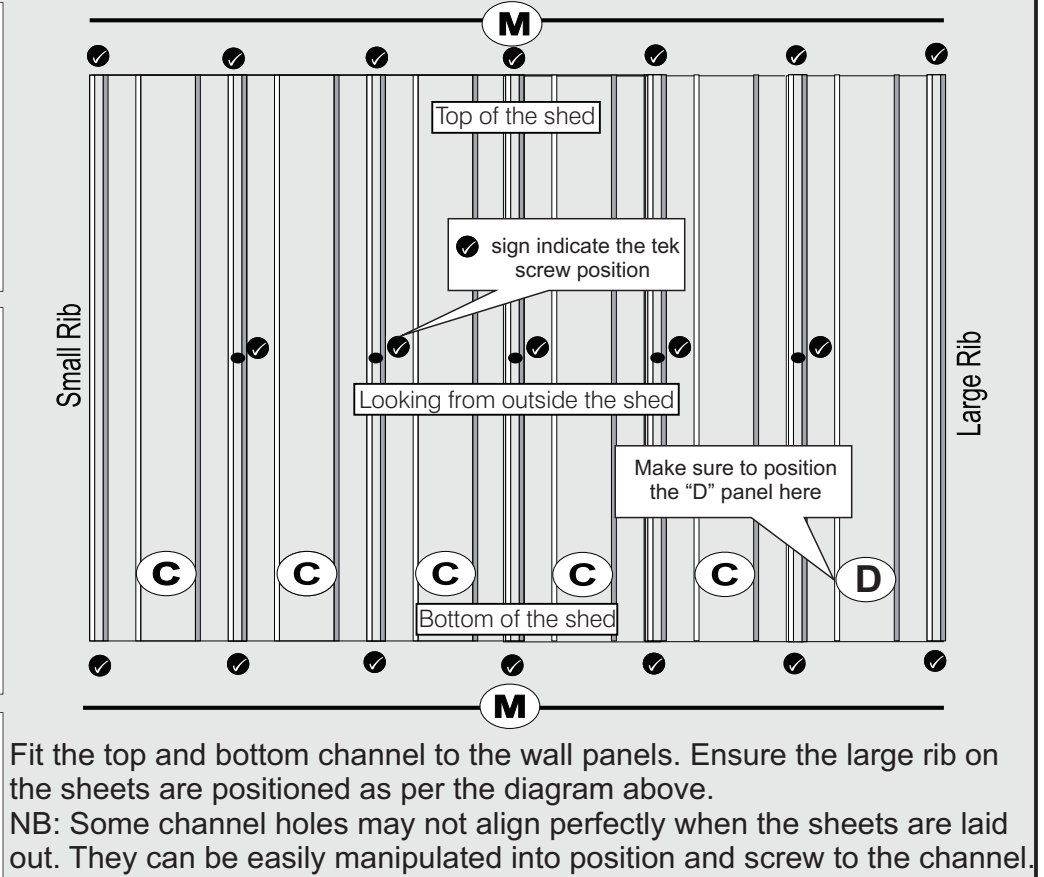
REAR WALL PANEL



If you are having trouble screwing the channel to the sheets, chock behind the hole .

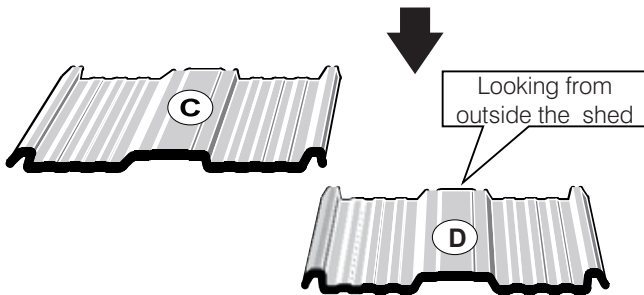


Ensure that the small lip of the channel is to the outside of the shed. Notched big lip is to inside

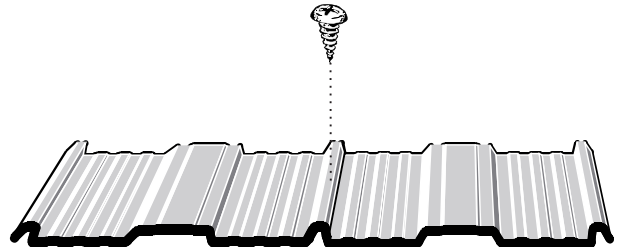


Fit the top and bottom channel to the wall panels. Ensure the large rib on the sheets are positioned as per the diagram above.
NB: Some channel holes may not align perfectly when the sheets are laid out. They can be easily manipulated into position and screw to the channel.

1



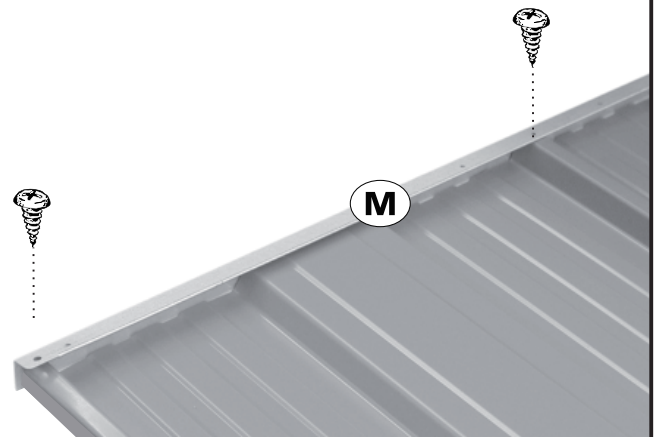
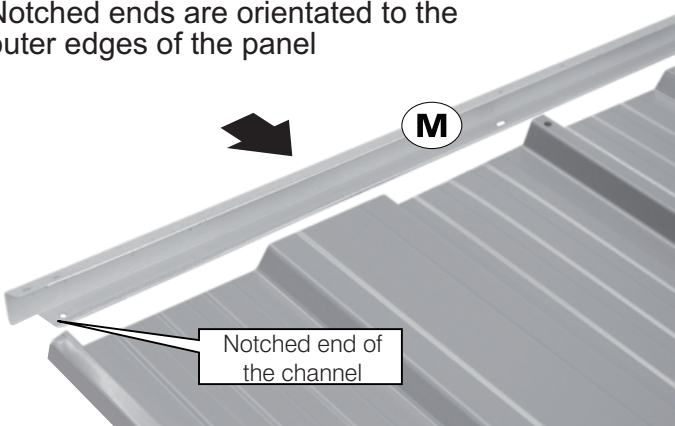
Lay the wall panels out with the large rib overlapping the small.



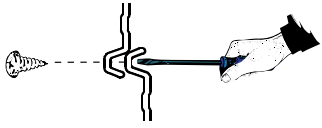
Screw the wall panels in the centre of the rib as shown.

2

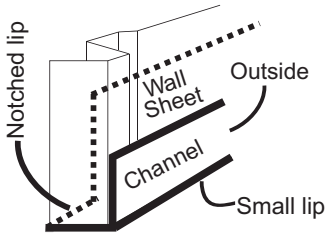
Notched ends are orientated to the outer edges of the panel



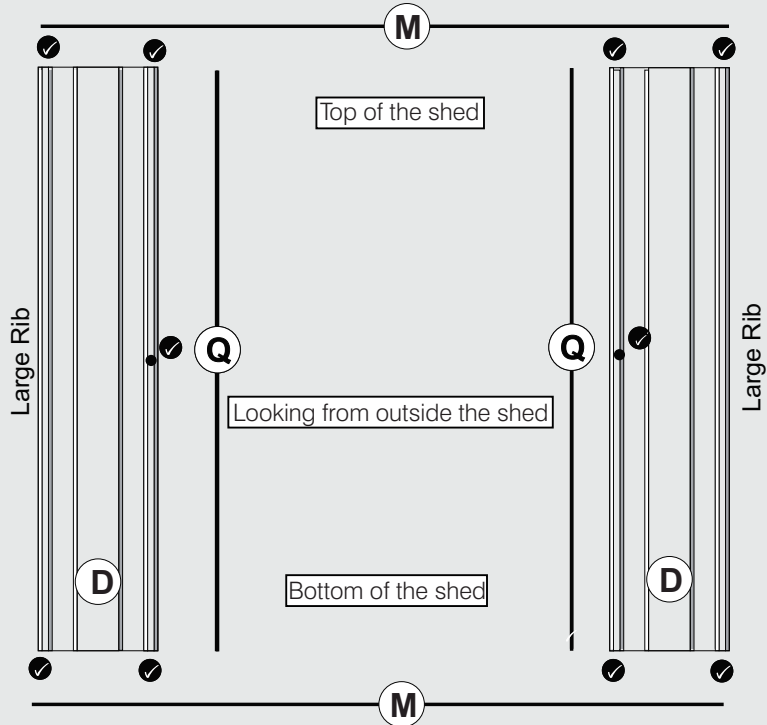
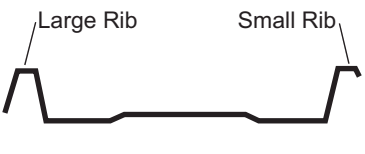
FRONT WALL PANEL



If you are having trouble screwing the channel to the sheets, chock behind the hole .



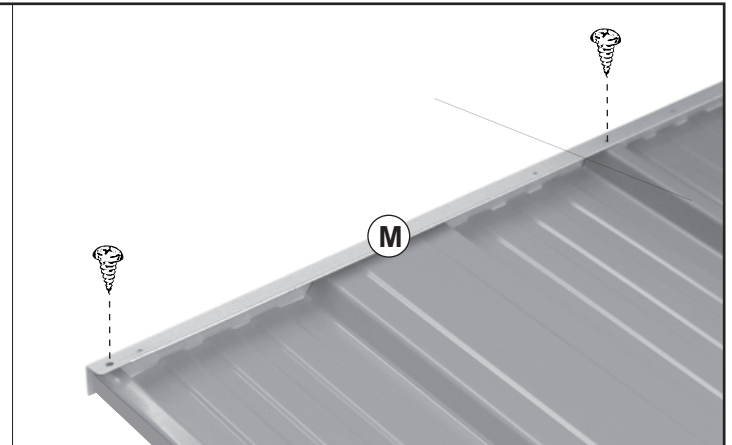
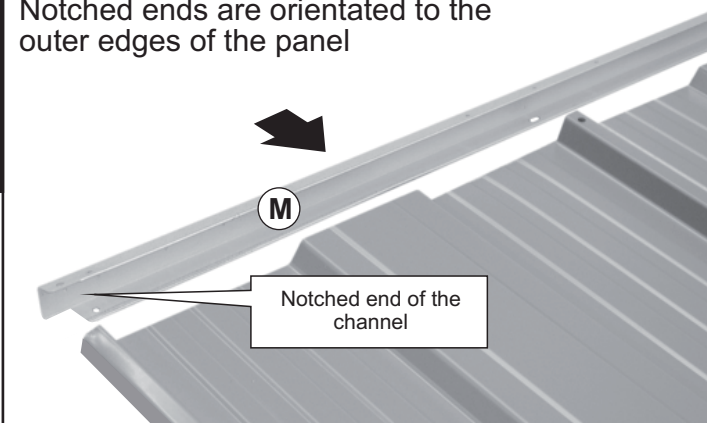
Ensure that the small lip of the channel is to the outside of the shed.
Notched big lip is to inside



Fit the top and bottom channel and the door jambs to the wall panels. Ensure the large rib on the sheets are positioned as per the diagram above. NB: Some channel holes may not align perfectly when the sheets are laid out. They can be easily manipulated into position and screw to the channel.

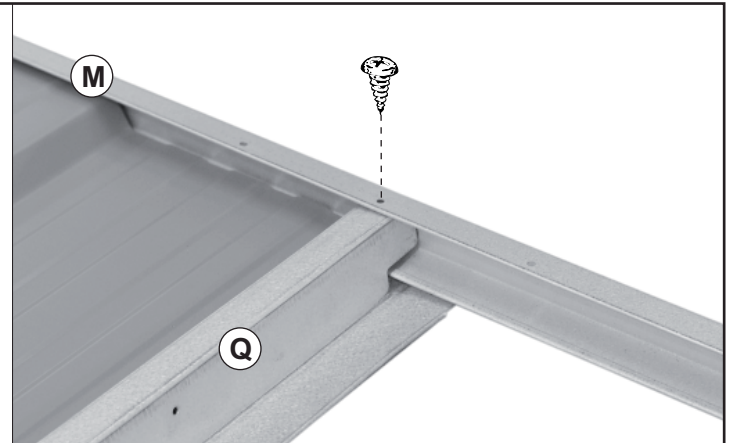
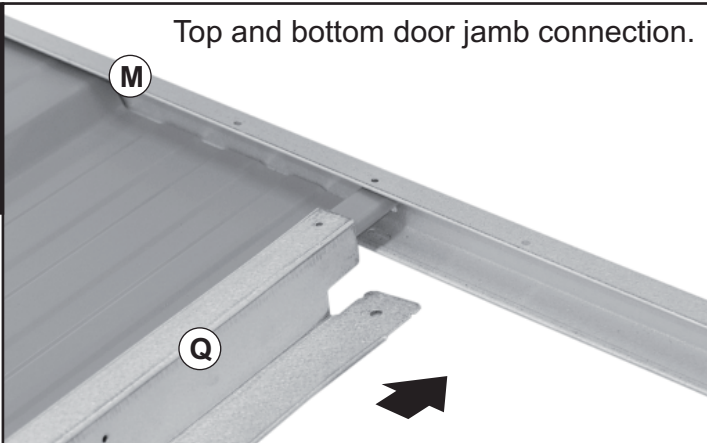
1

Notched ends are orientated to the outer edges of the panel

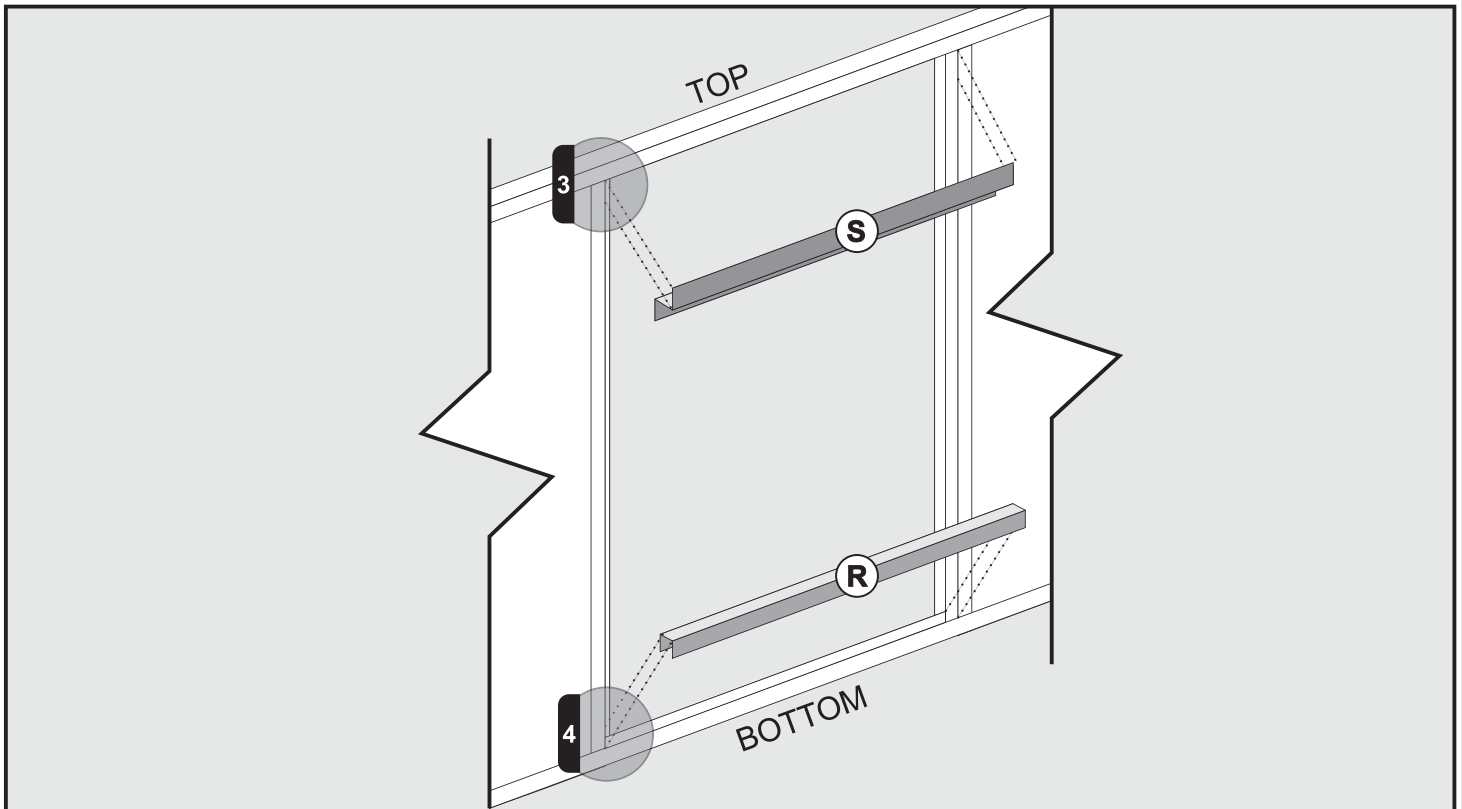


2

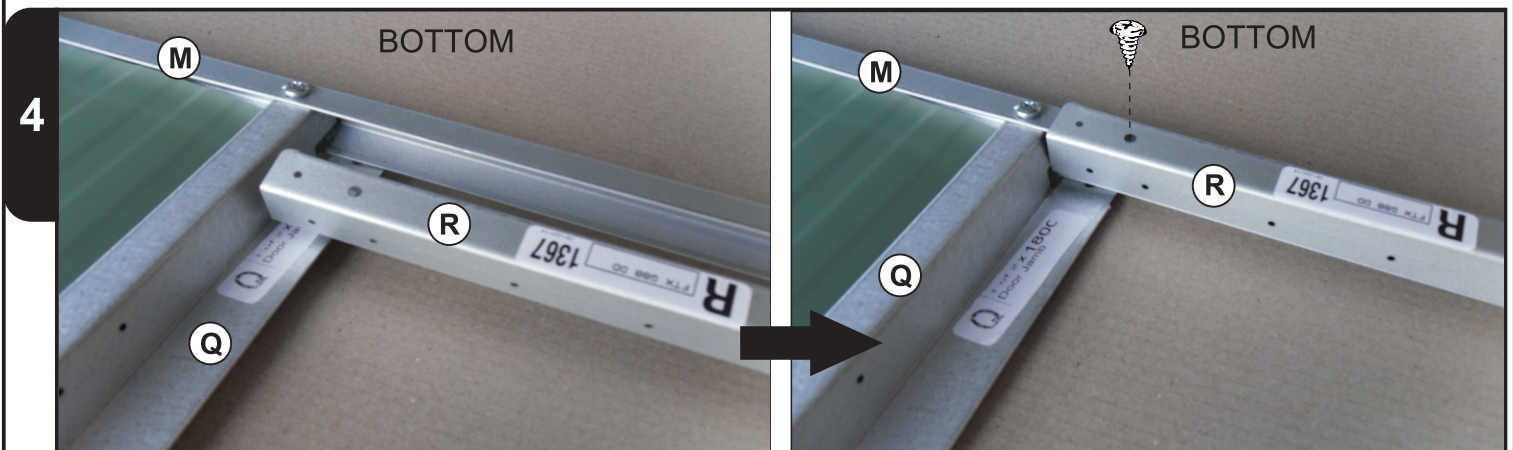
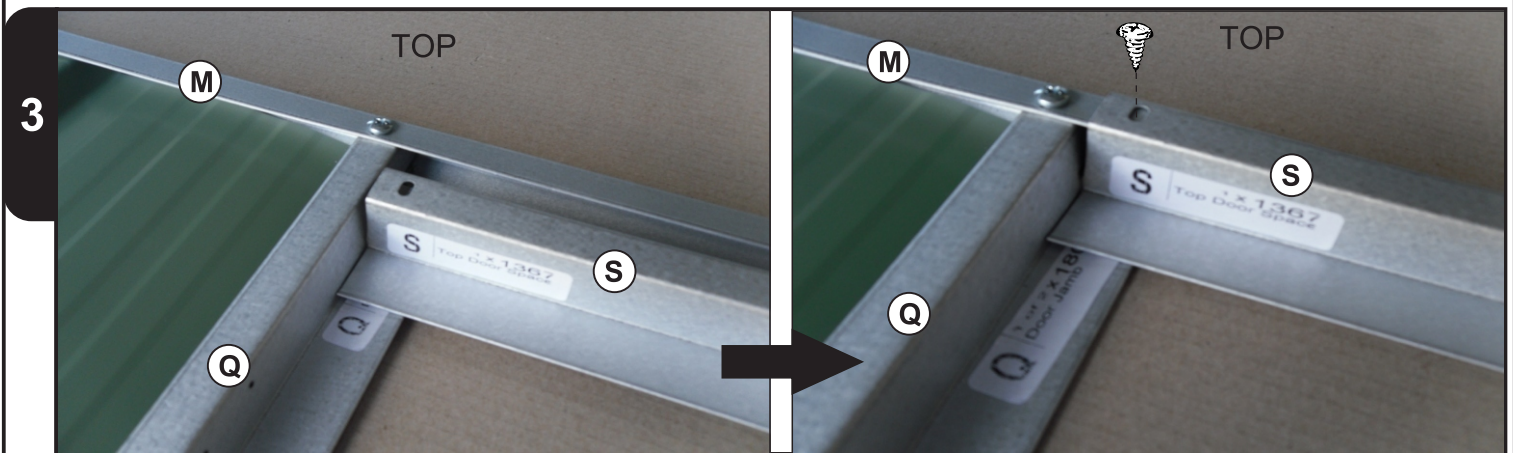
Top and bottom door jamb connection.



FRONT WALL PANEL

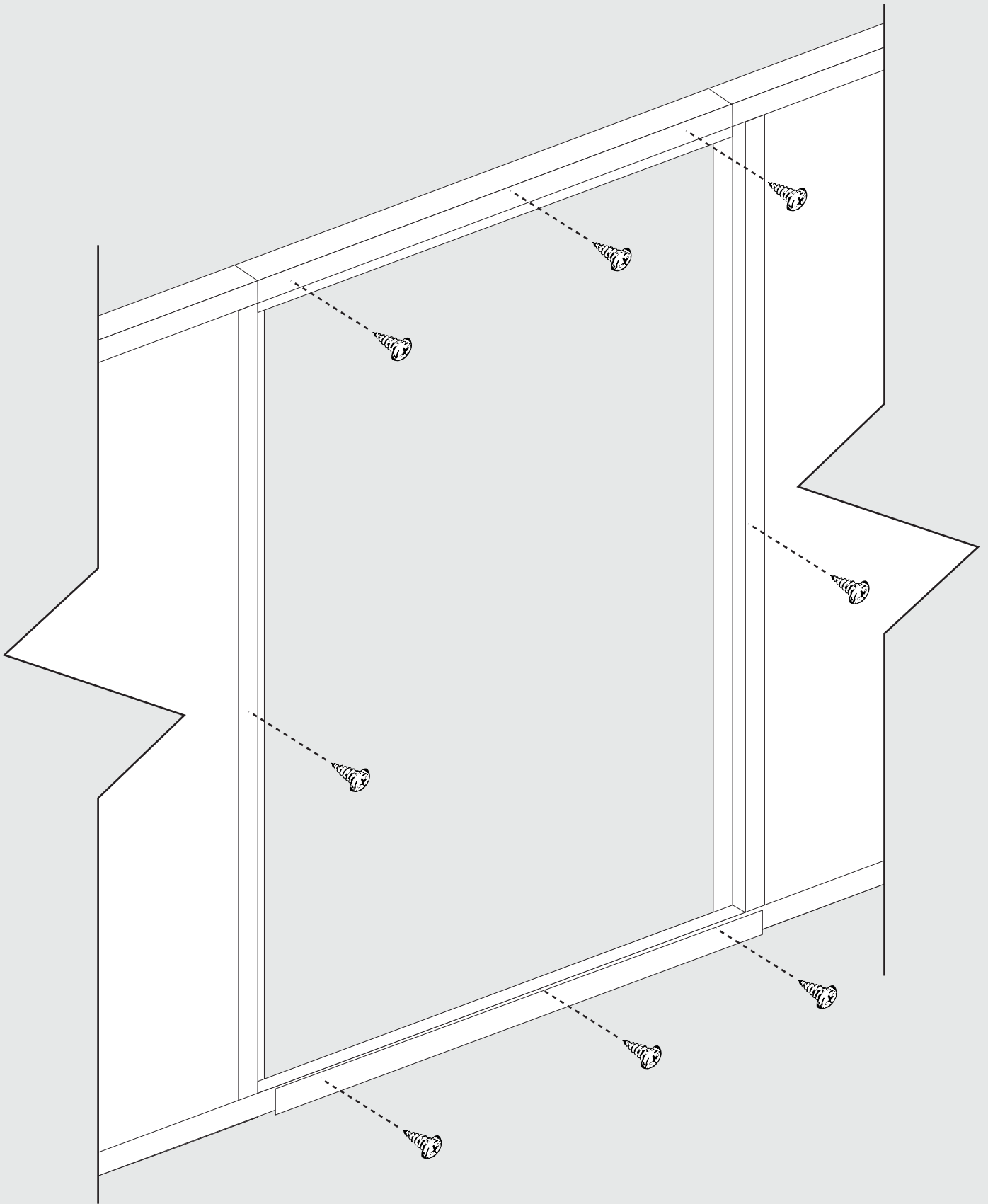


Fit the top door spacer and the bottom door spacer to the front wall panel as shown.

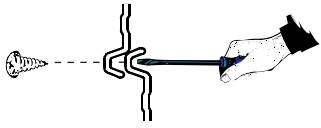


FRONT WALL PANEL

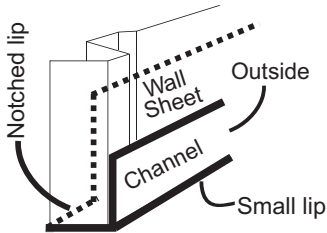
5



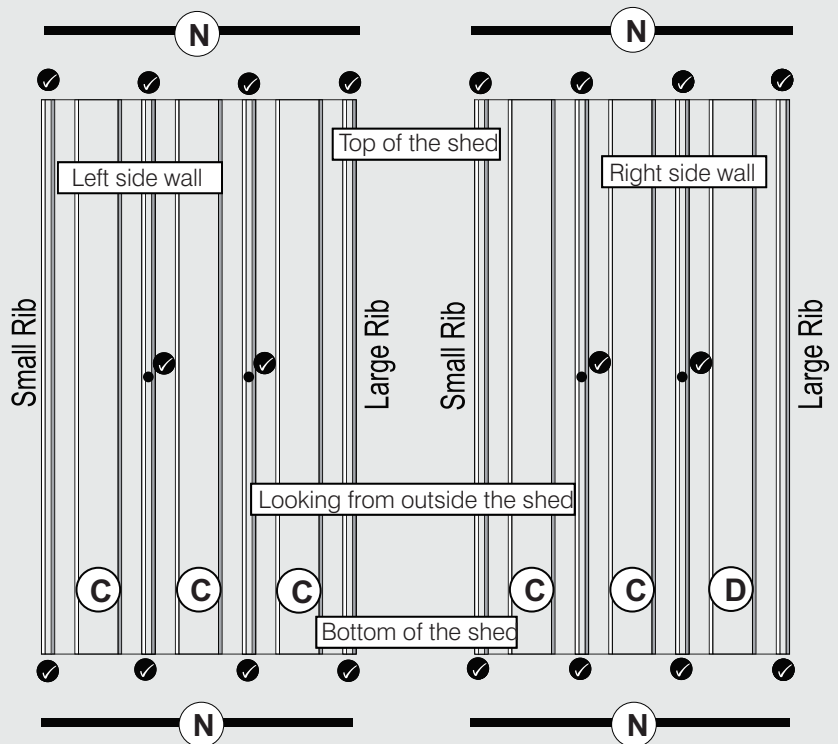
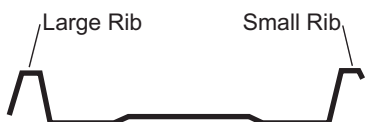
SIDE WALL PANELS (2 REQUIRED)



If you are having trouble screwing the channel to the sheets, chock behind the hole.

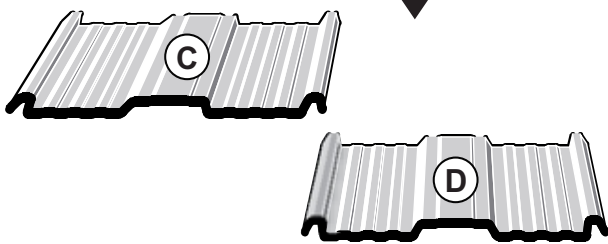


Ensure that the small lip of the channel is to the outside of the shed. Notched big lip is to inside

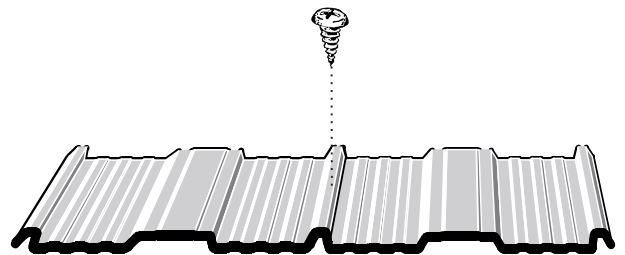


Fit the top and bottom channel to the wall panels. Ensure the channel is flush with the edge of the sheets.

1



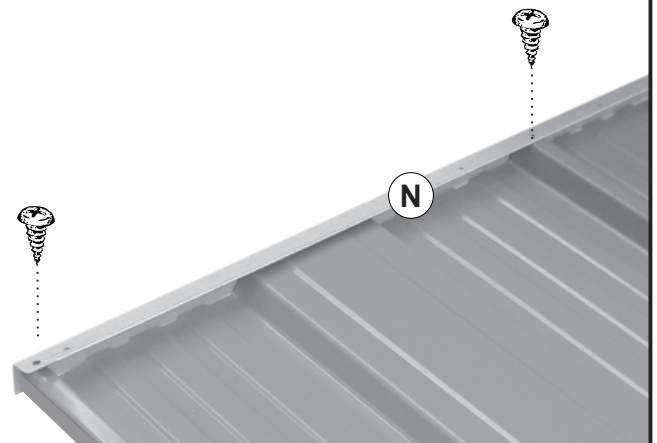
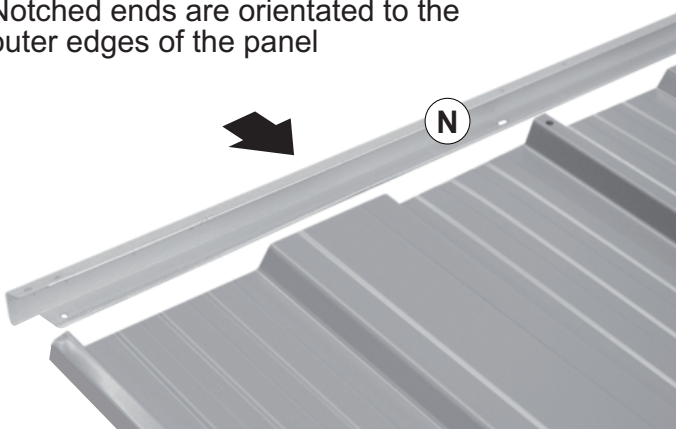
Lay the wall panels out with the large rib overlapping the small.



Screw the wall panels in the centre of the rib as shown.

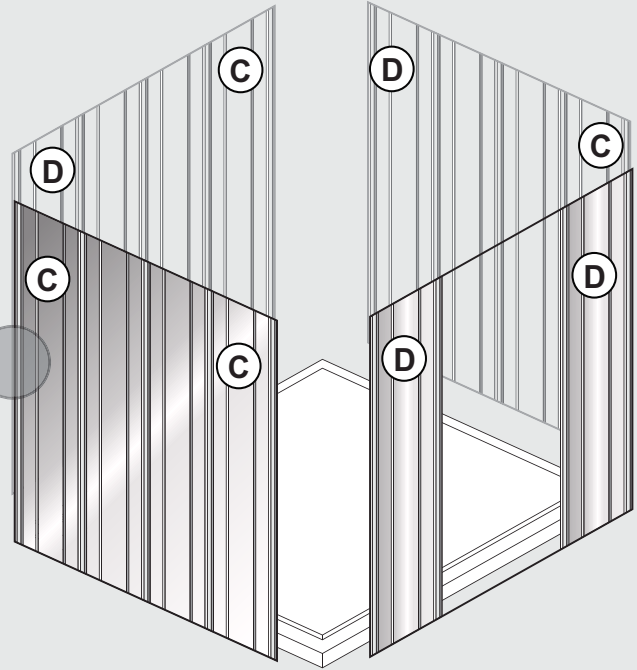
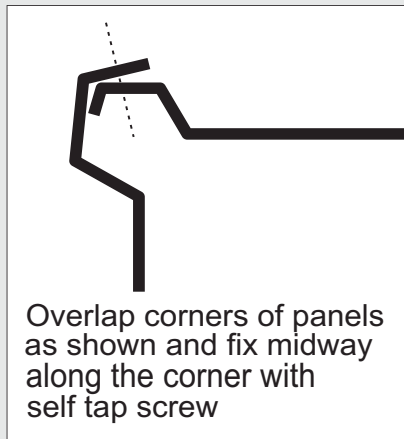
2

Notched ends are orientated to the outer edges of the panel

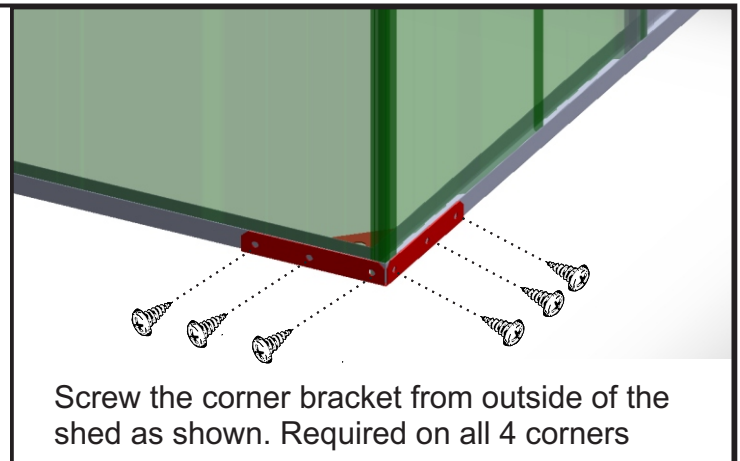
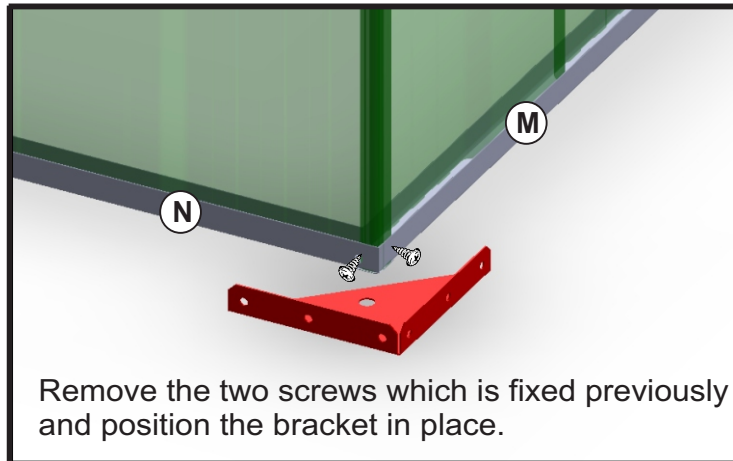
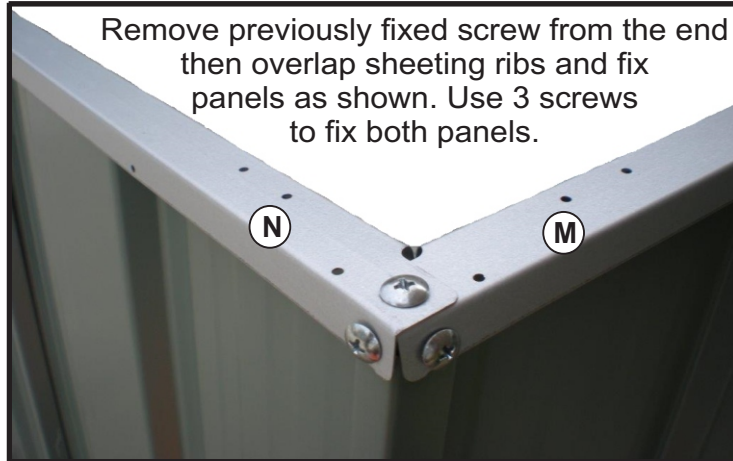


STAND AND JOIN WALL PANELS

NOTE: The diagram below shows a 44 flat roof shed. The assembly process is the same for all flat roof sizes.



Once the four wall panels are assembled, they can now be stood and fixed together. Fix using the corner brackets and screws as shown below. Fix the front panel last. N.B when assembling large wall models, eg. 7 panels width and above, extra care should be taken, with person two providing adequate support to stop the wall from distorting.

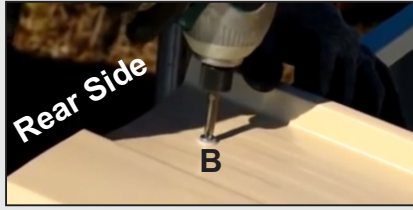


FIT ROOF

1



Step 1: Place roof sheet on top, start from the left, big rib should flush with channel "N"
Place all sheets as shown.



Step 2: Start from rear side.
Screw all holes "B"
Do not screw the hole "A" yet.



Step 3: Screw the front side through all holes "C".
one screw per sheet.

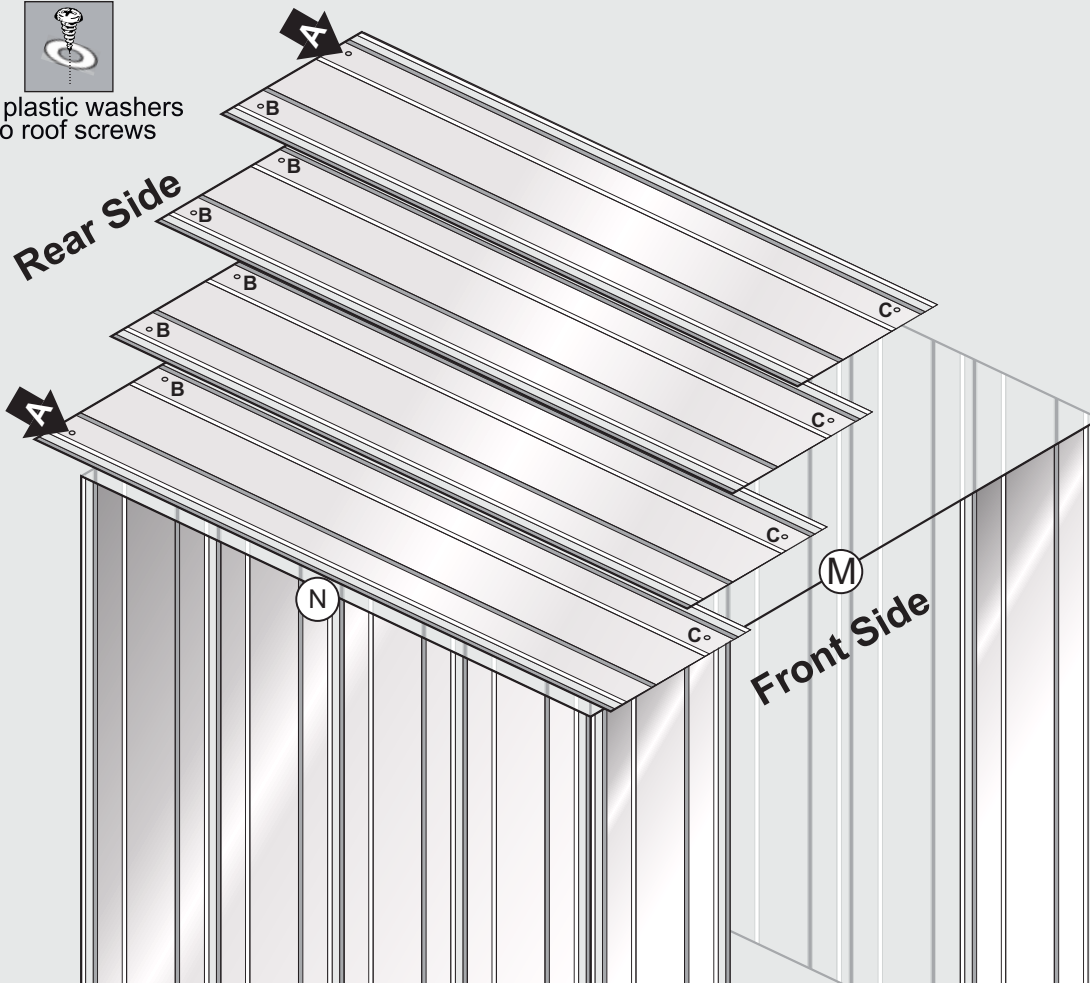


Step 4: Screw the Rear side holes "A". You may either pre drill or use self drilling tek screw to fix this.

Two screw holes should be positioned on the rear side of the shed

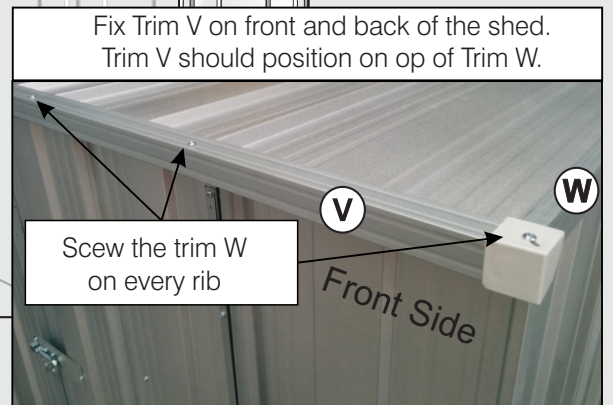
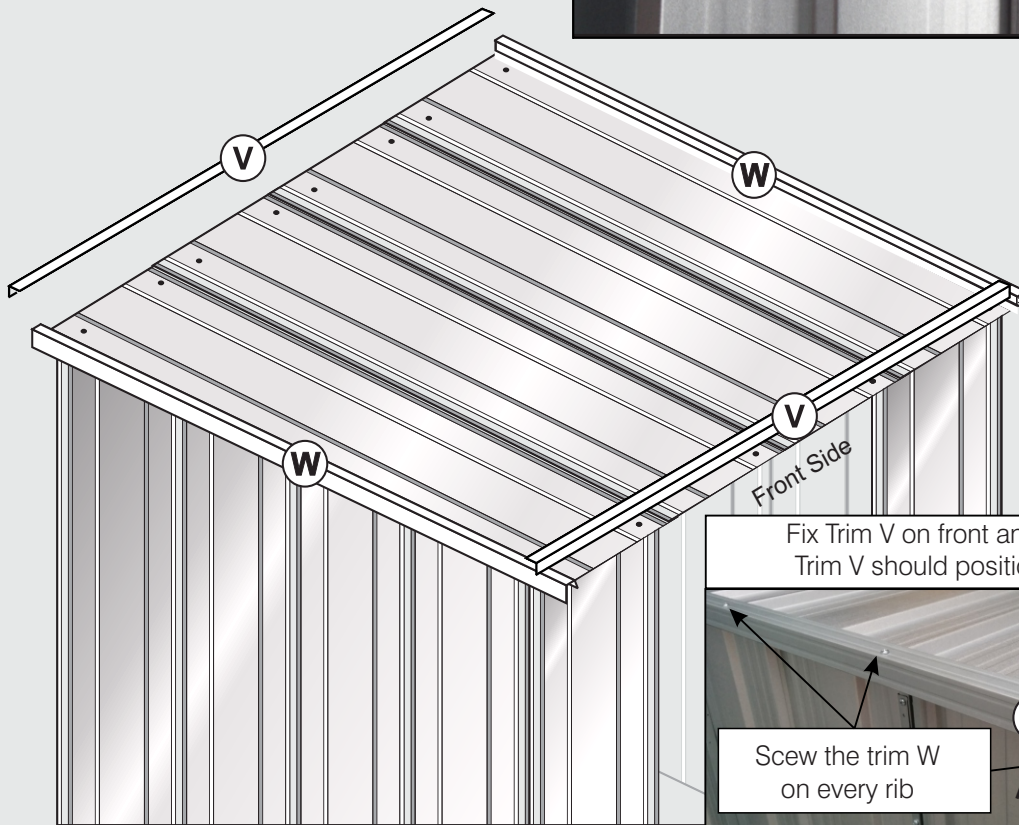
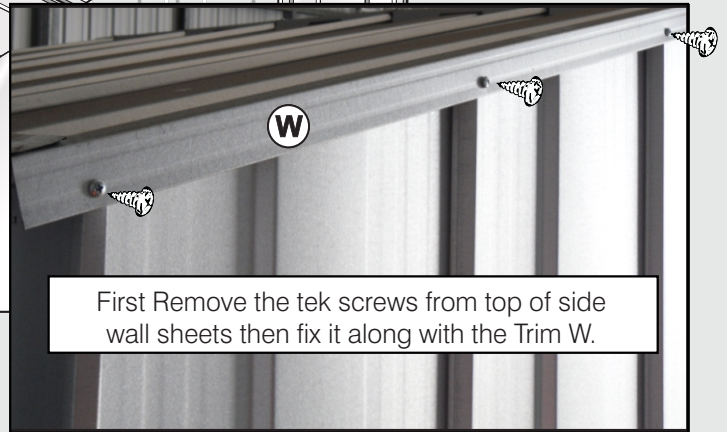
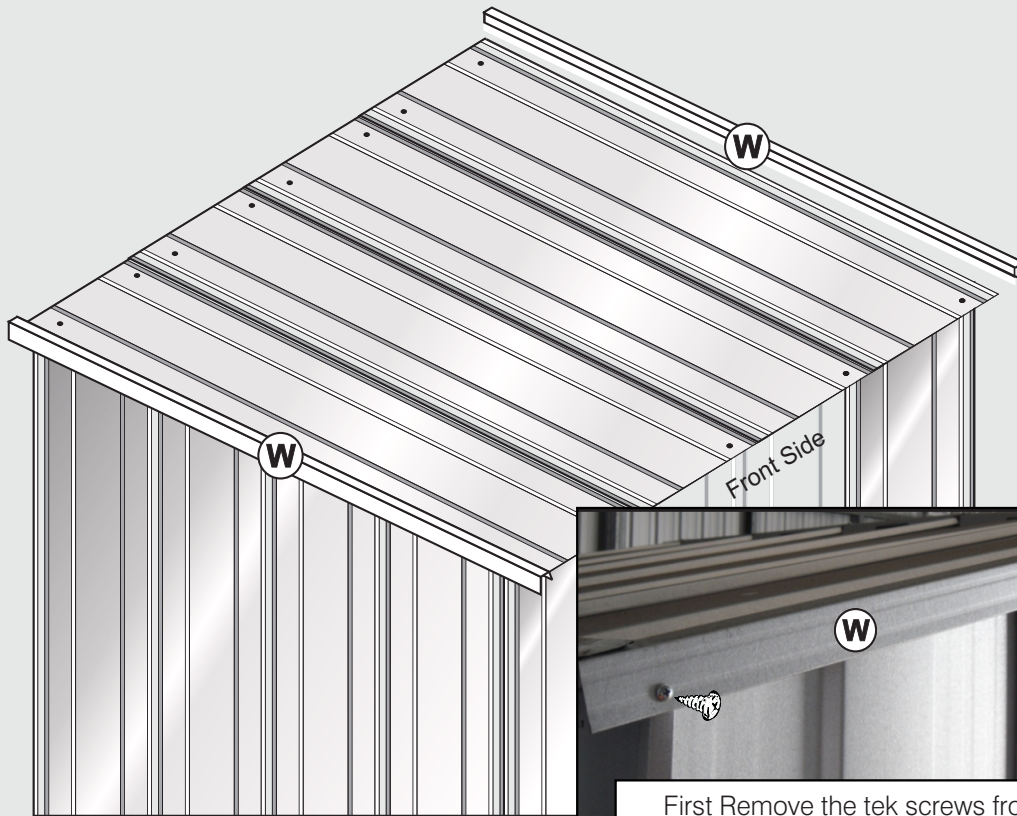


Fit plastic washers to roof screws

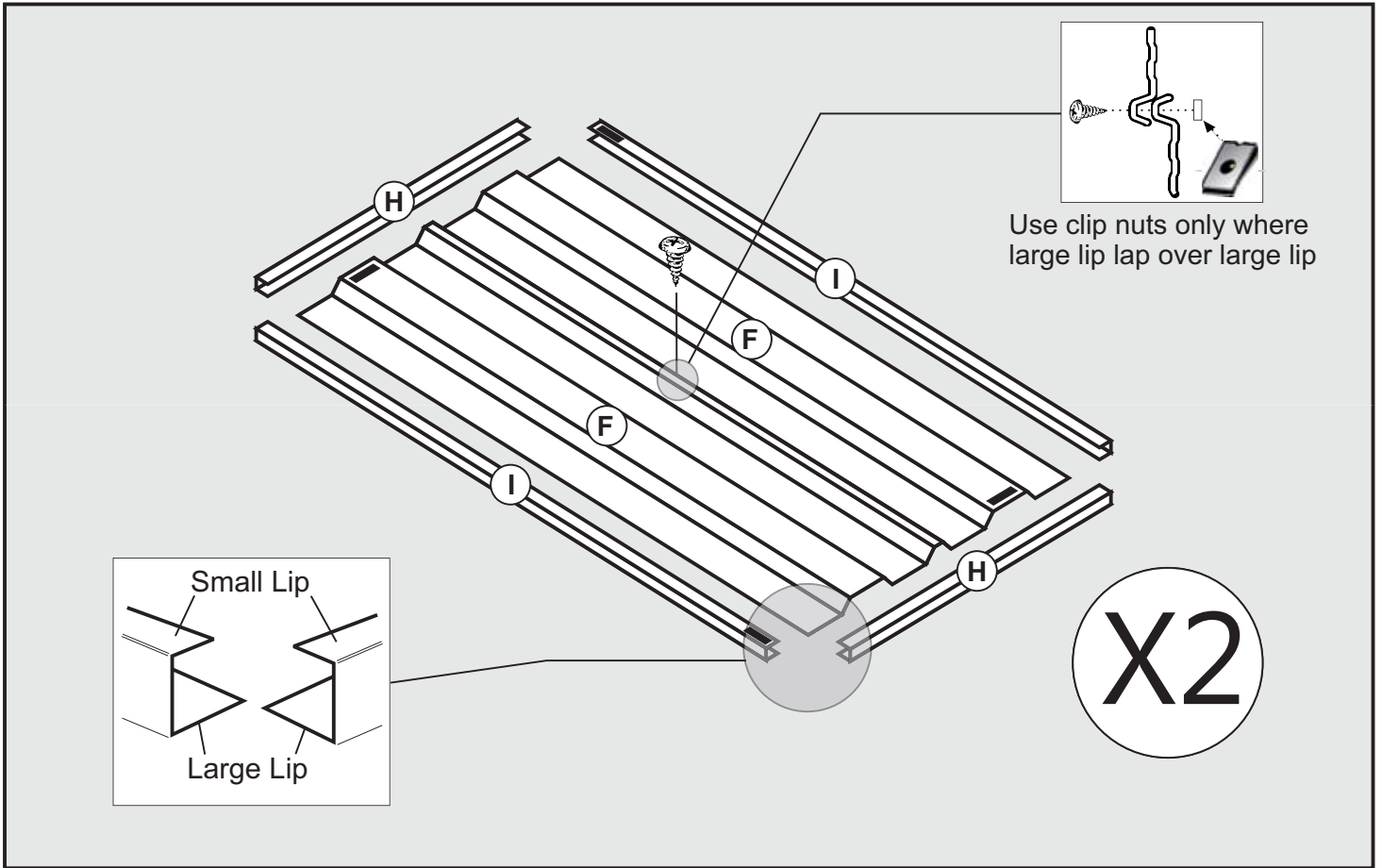


FIT ROOF TRIMS

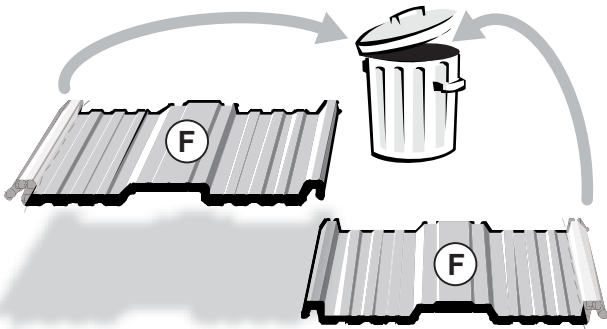
2



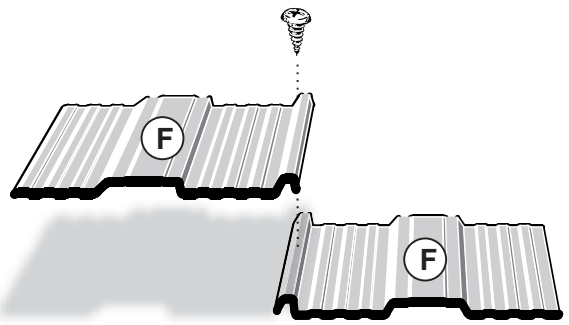
ASSEMBLE DOOR



1



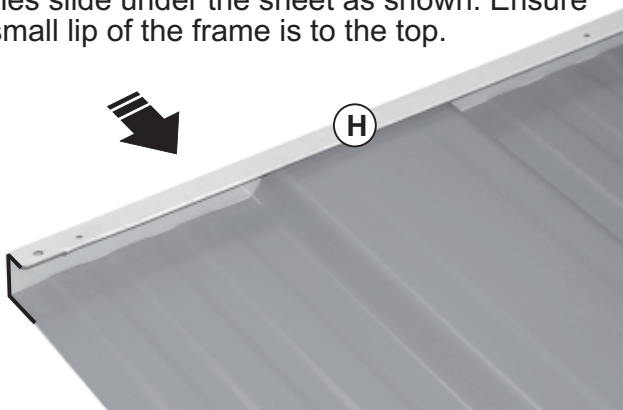
Both of the door sheets come with one rib partially slit. Break them off and discard them.



Screw the sheets in the center. Use clips nuts where ever required as per the above diagram

2

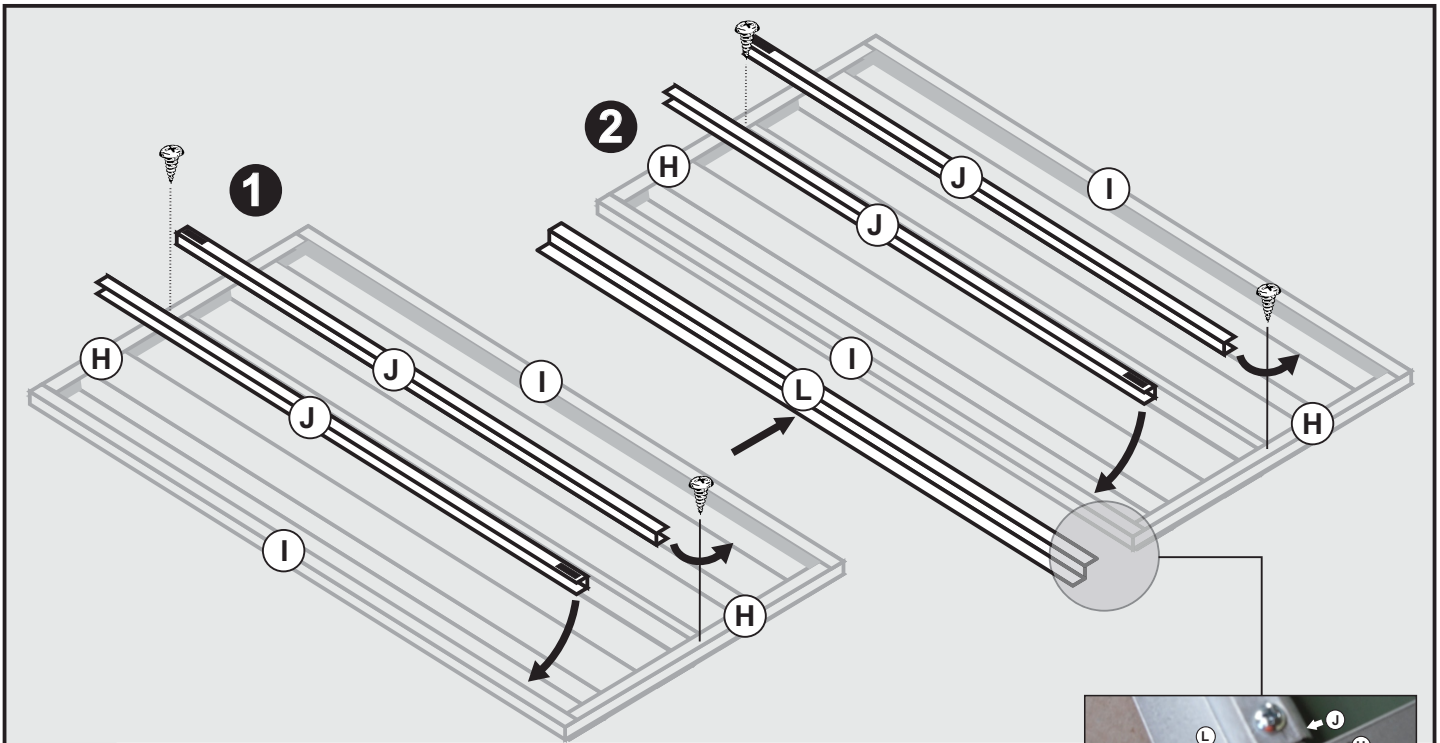
Frames slide under the sheet as shown. Ensure the small lip of the frame is to the top.



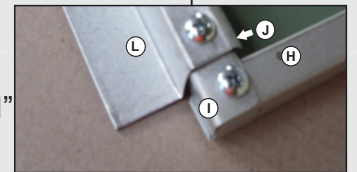
Fix door frames with a screw in each corner. Ensure that the big hole sits over the small.



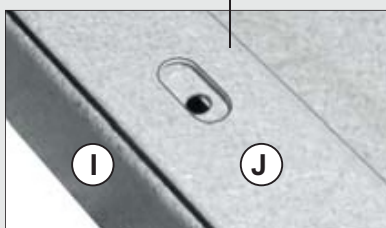
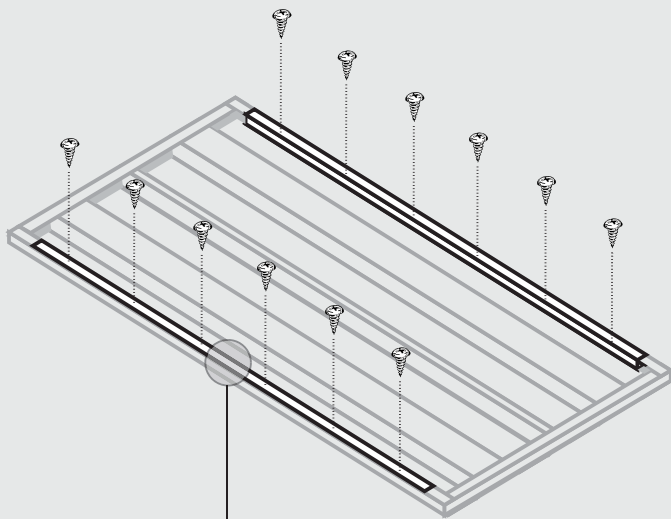
ASSEMBLE DOOR



Fix the frame H to the sheeting with screws through the small channel lips into the large sheeting ribs. Door boxing "J" must be fitted to the door frames "I" and a door seal fitted on the door 2. The seal fits to the frame and boxing as shown to the right.

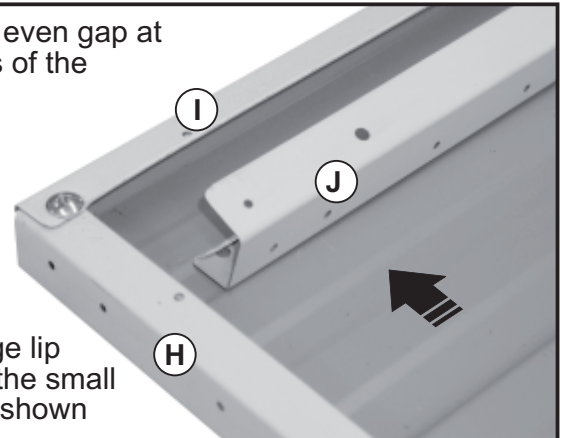


3



Fix each of the door boxing in place using six (6) screws.

Leave an even gap at both ends of the boxing J.



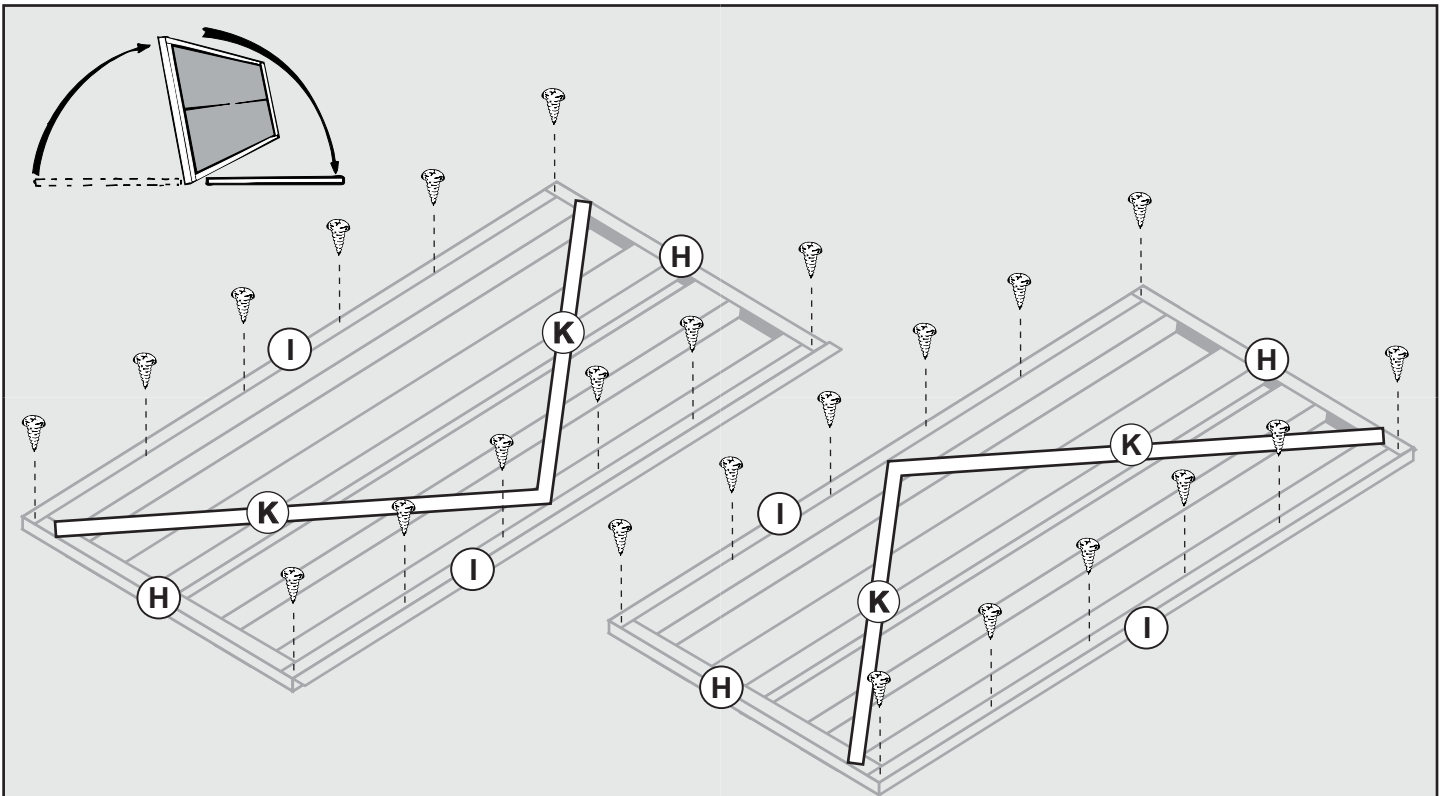
Place large lip of J over the small lip of I as shown

Use the pre punched holes in the door boxing as a guide to drill pilot holes in the door seal



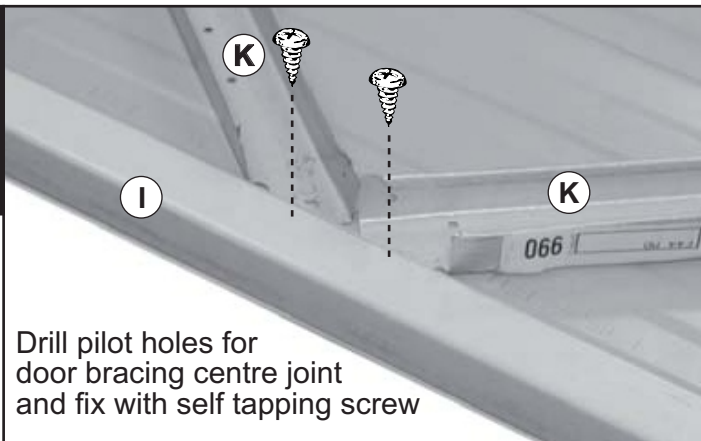
Fix door seal on door number 2

ASSEMBLE DOOR



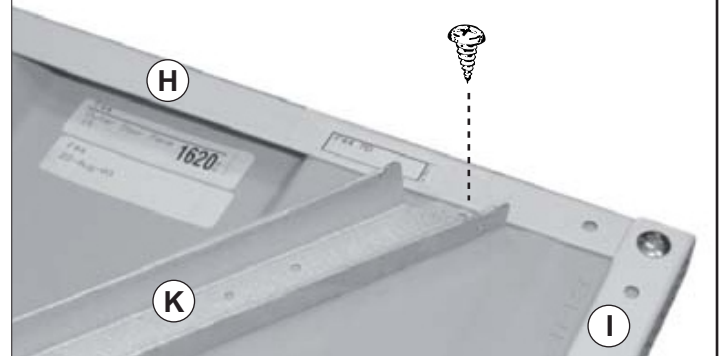
Flip the door assembly's over and fix the door frames with screws evenly spaced as shown above. Make sure to screw through the sheathing. Door bracing will also need to be fitted to the doors to ensure sturdiness.

4

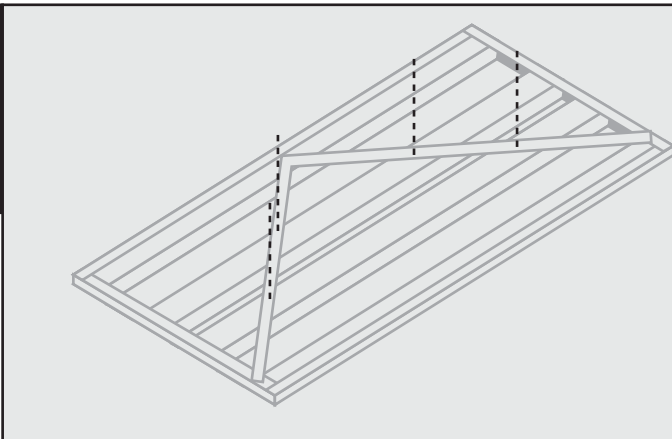


Drill pilot holes for door bracing centre joint and fix with self tapping screw

Drill pilot hole for top and bottom bracing joint, and fix with self tapping screw.



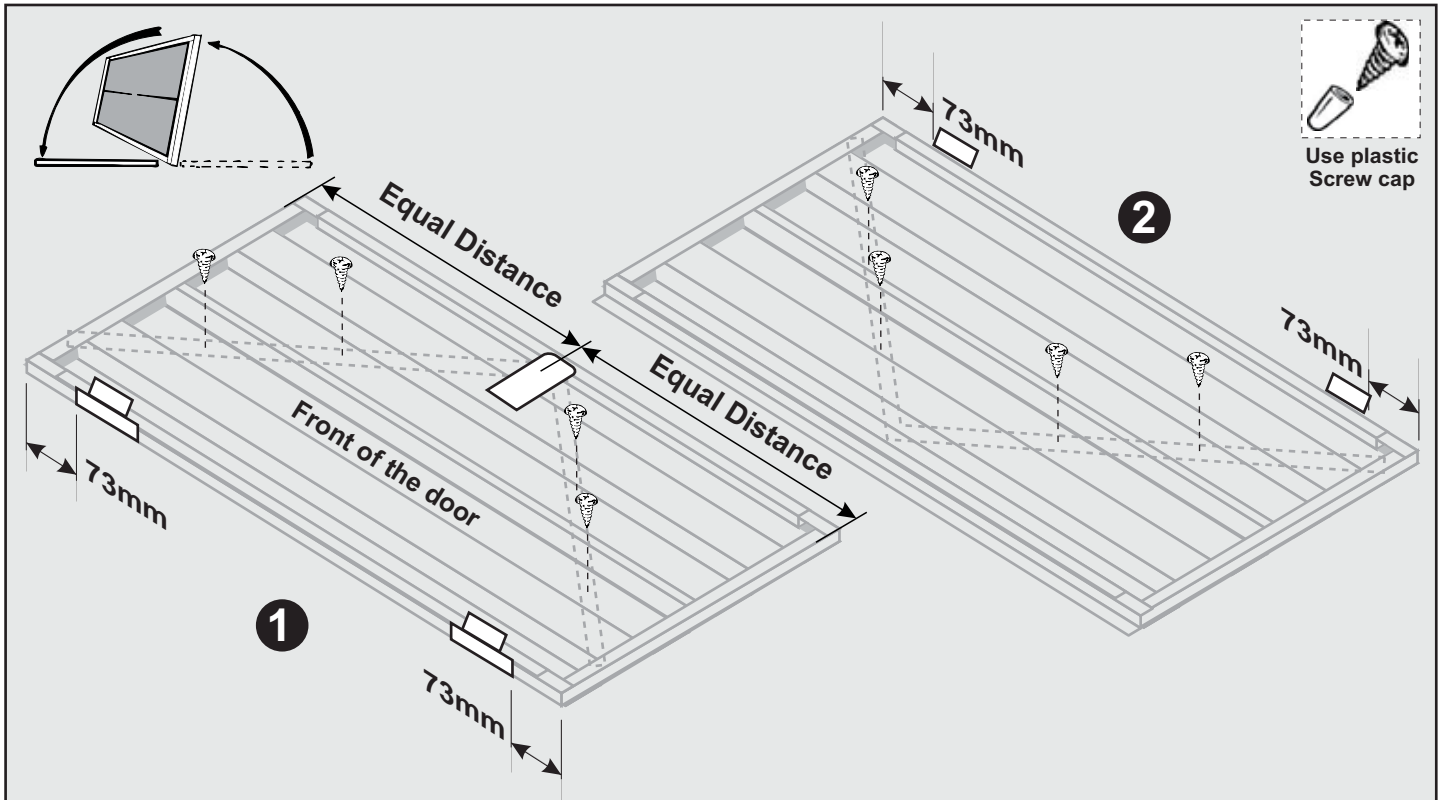
5



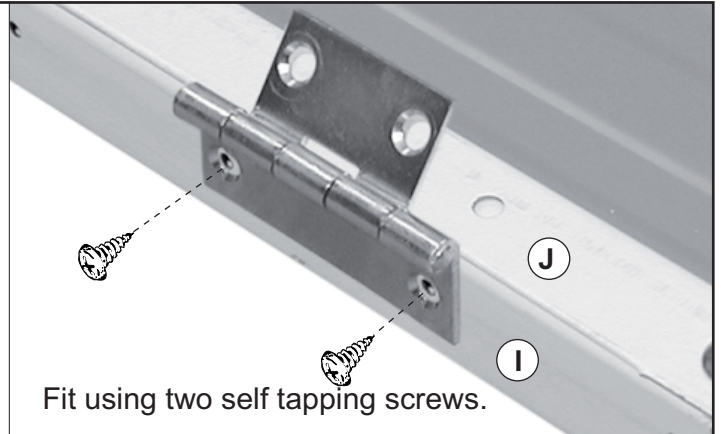
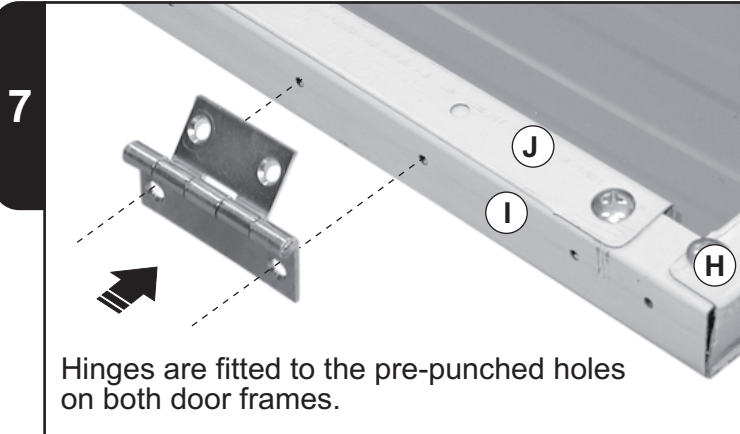
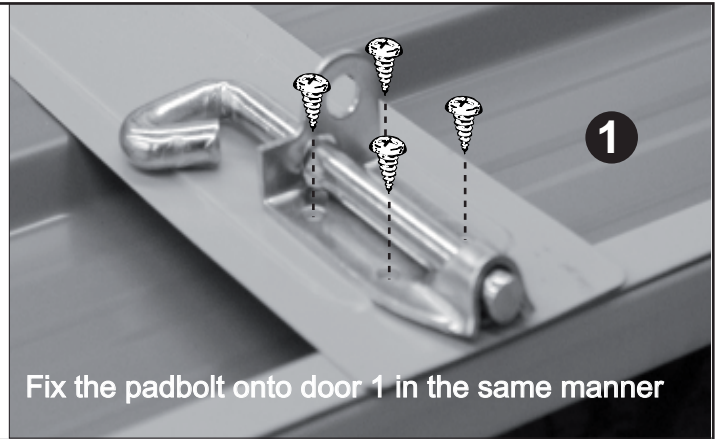
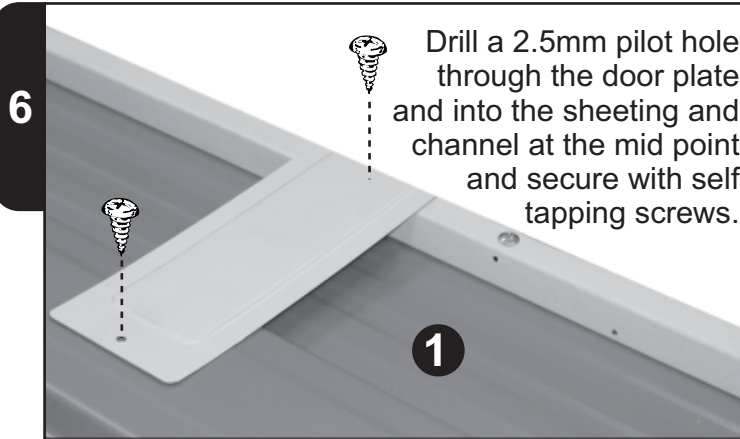
Now use the 2.5mm drill bit to drill pilot holes through the door bracing into the door sheathing.

DO NOT SCREW BRACING AT THIS STAGE, SEE NEXT PAGE FOR DETAILS.

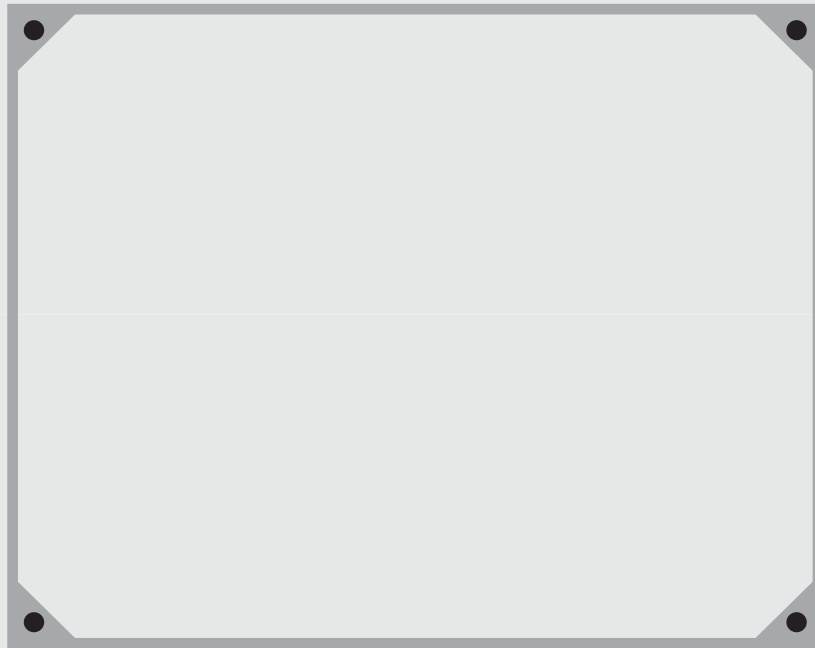
ASSEMBLE DOOR



Flip the door back over to the front side facing up. Using the pilot holes drilled before, fix the door bracing from the front with self tapping screws. Use screw cap on all 8 screws here.

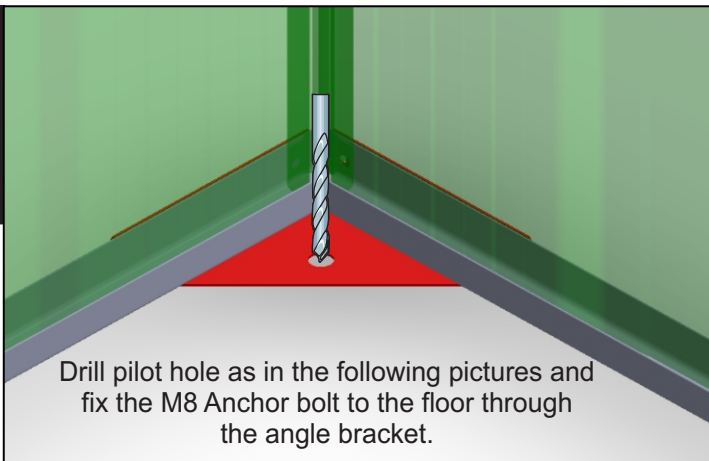


BOLT DOWN

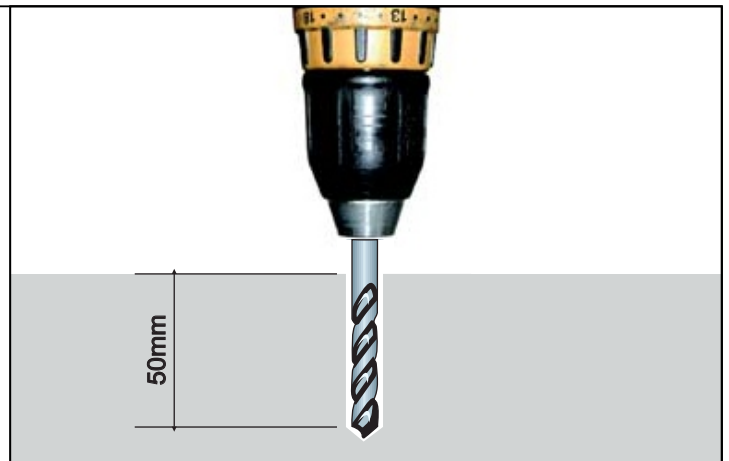


Bolt the shed down through the four corner brackets as shown. Ensure the shed is square.

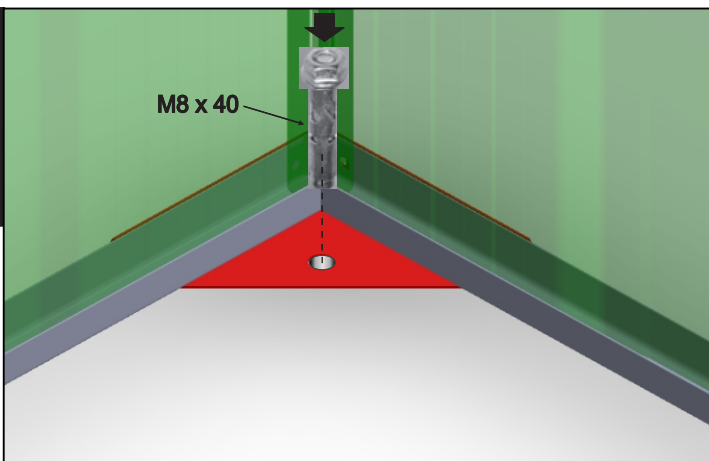
1



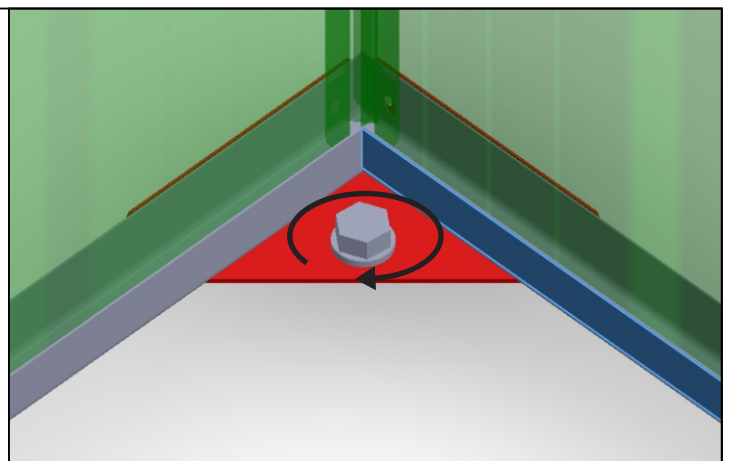
Drill pilot hole as in the following pictures and fix the M8 Anchor bolt to the floor through the angle bracket.



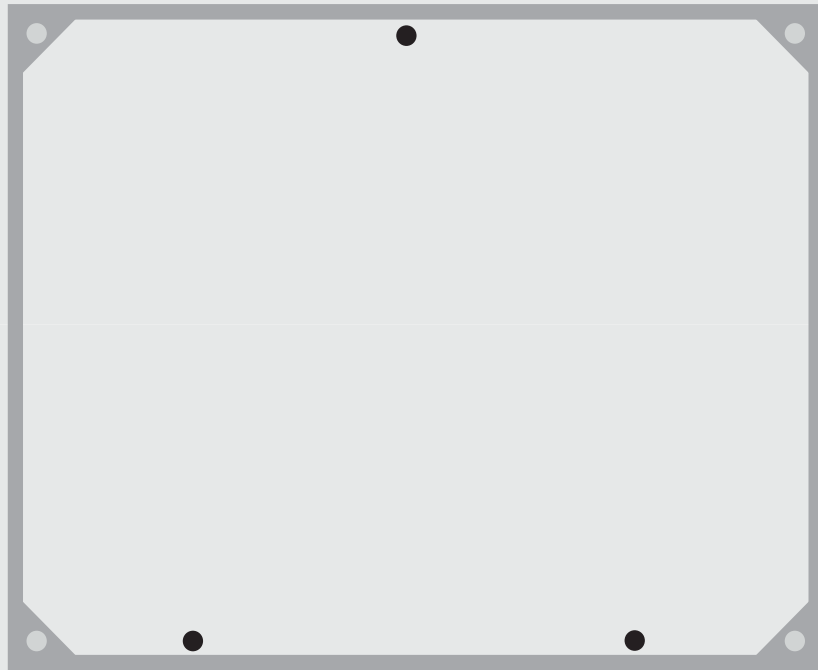
2



M8 x 40

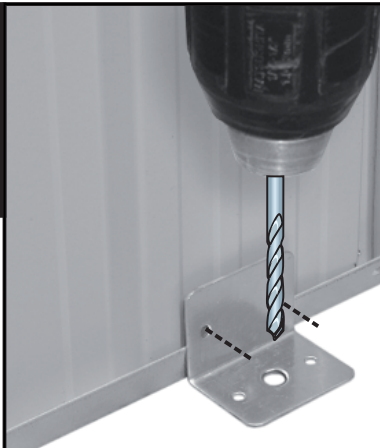


BOLT DOWN



Bolt the shed down through the angle brackets as shown.

1

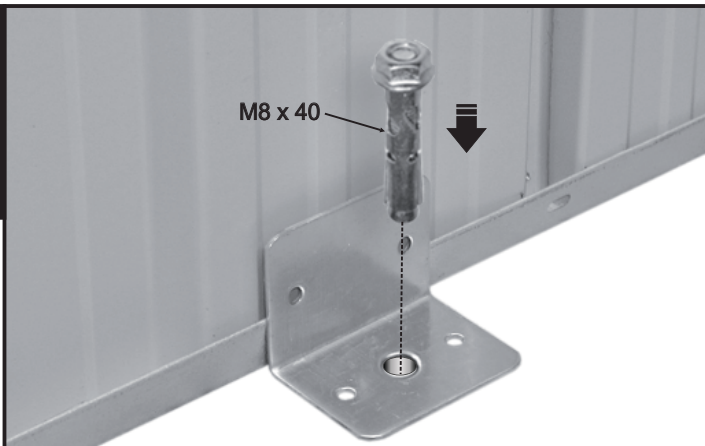


Drill the hole for the anchor to 50mm depth and then using a 5mm drill bit, drill the holes through the sheeting to attach the bracket to the shed.

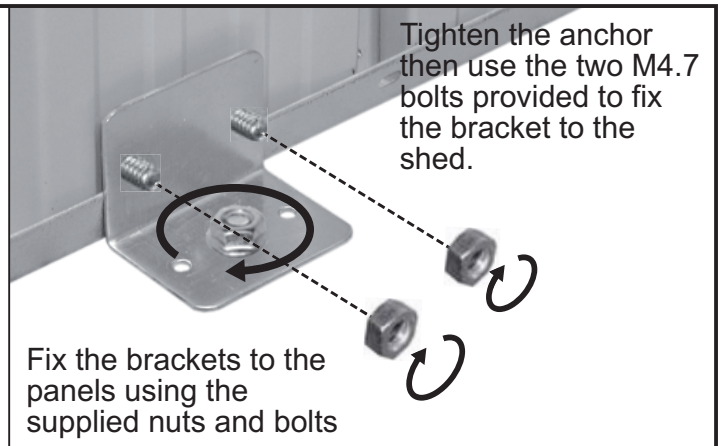
50mm



2



M8 x 40



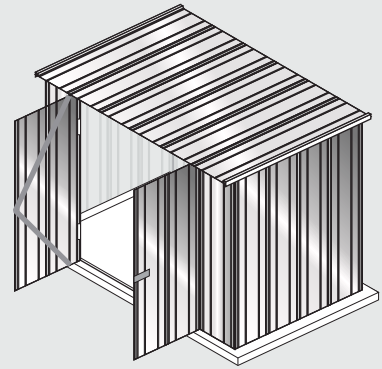
Tighten the anchor then use the two M4.7 bolts provided to fix the bracket to the shed.

Fix the brackets to the panels using the supplied nuts and bolts

HANG DOOR

NOTE: The diagram below shows a 64 flat roof shed. The assembly process is the same for all sheds.

Fit the doors by fixing the hinges to the pre-drilled holes in the door jambs. Fit the padbolt and keeper to the front of the doors. To finish, fix padbolts to the inside, top and bottom of the door with the seal attached.



1



2



2

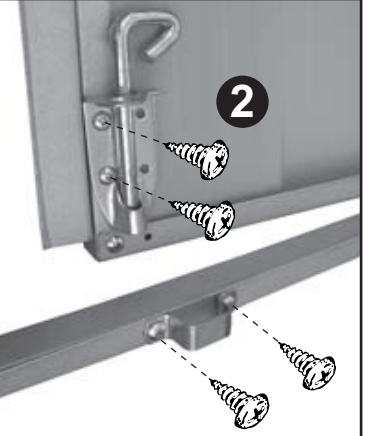
Drill pilot holes to accommodate the padbolt keeper and then fix with self tapping screws

3

Drill pilot holes into the inside of the door frame of the second door next to the door seal and then fix with self tapping screws.



Drill pilot holes into the inside of the front wall bottom channel to accommodate the padbolt keeper and then fix with self tapping screws





Simple, Strong,
Quick & Easy

15 Years Warranty

Thank you for purchasing FASTTRAK® system steel garden shed.

Your personal warranty is backed by Spanbilt, the manufacturer of FASTTRAK® system garden sheds, and our proven commitment to quality and customer service.

Our goods come with guarantees that cannot be excluded under Australian consumer law.

You are entitled to a replacement or refund of a major failure and Compensation for any reasonably foreseeable loss or damage. You are also entitled to have the goods repaired or replaced if the goods fail to be of acceptable quality and the failure does not amount to a major failure. Cost of claiming the warranty will be by the claimant.

This warranty is in addition to other rights and remedies of the customer under law.

Eligibility

- The 15 year warranty is eligible only to the original purchaser/owner of the shed as registered within 60 days from the date of purchase and is not transferrable.
- The warranty is valid for both Australia & New Zealand
- The warranty is subject to location and local environmental conditions outlined in the warranty exclusions below.

What is covered under the warranty?

FASTTRAK® steel garden shed 15 year warranty is limited to the following specific cover.

1. Zinc and/or galvanised panel materials will not rust
2. Coloured panel materials will not rust, flake, peel or blister.

Please note the 15 year warranty does not apply to any accessory items such as fasteners, Hasp, Pad bolts, also including flooring kits, shelving, hook sets, tool racks etc.

Warranty Qualifications & Limitations

The FASTTRAK® 15 year warranty is subject to the following qualifications and limitations

1. Warranty does not apply to surface deterioration of the panels caused specifically by
 - a. "Swarf"(tiny particles of steel debris left from cutting, grinding or drilling operations) that have not been dutifully removed during the assembly construction process.
 - b. As a result of contact with damp soil, chemicals, fertilisers, or other corrosive substances
2. Warranty does not cover damage caused by storms, wind, rain, hail, snow or any other adverse environmental event or "act of god"
3. Warranty only applies if the shed is used solely for domestic purposes and installation is in accordance and compliance with the FASTTRAK® instruction manual and manufacturer recommendations.
4. Warranty does not apply if the shed is installed / located in
 - a. Ocean/surf locations (typically defined as within 1km from coastal or tidal locations),
 - b. Severe industrial locations
 - c. Unusually corrosive environments (e.g. Geothermal / Sulphuric conditions)
5. Warranty does not cover any damage as a result of
 - a. Any impact
 - b. Due to poor foundations
 - c. Modifications
 - d. Build-up of debris on or in roof or walls
 - e. Poor assembly and/or construction
6. The warranty will be void if the shed has been relocated from its original location / address
7. The warranty is limited to the replacement and delivery of panels and specifically excludes any labour, installation or removal/disposal costs.
8. Warranty applies to the exclusions of all other representations, guarantees or warranties, either expressed or implied unless otherwise required by applicable legislation.
9. Your warranty registration certificate and supporting documentation must be completed and lodged within 60 days of the date of purchase.

Warranty Claims

All warranty claims should be made in writing sent directly to:

Australia

Spanbilt
PO Box 1581,
Browns Plains, Queensland, 4118

New Zealand

Spanbilt
PO Box 11-013,
Sockburn, Christchurch, 8443

Claims must include:

- a) Original proof of purchase documentation
- b) Relevant contact information
- c) Product model
- d) Photographic evidence
- e) Description of the damage



**Simple, Strong,
Quick & Easy.**

Warranty Registration Certificate

Owners Details

Owners Name:

Street Address:

City:

Postcode:

Email:

Building Details

Product Model Number:

Colour:

Place of Purchase:

Purchase Date:

Please attach here a photocopy of proof of purchase

Retain the original for your records

You must submit your warranty registration certificate within 60 days of the purchase date of your FASTTRAK® garden shed.

Post your certificate and supporting documentation to:

Australia

Spanbilt

PO Box 1581, Browns Plains

Queensland, 4118

New Zealand

Spanbilt

PO Box 11-013,

Sockburn, Christchurch 8443

FASTTRAK

**Simple, Strong,
Quick & Easy.**

**PO Box 1581
Browns Plains, QLD 4118**

**Enquiries
07 3827 8000
Fax
1800 222 166**

**Building Advice Line
1800 032 077
www.spanbilt.com.au**

**112 Waterloo Road
PO Box 11-013
Sockburn, Christchurch**

**TELEPHONE
03 349 3480
Fax
0800 772 6245
www.spanbilt.co.nz**

Another Quality Product From

