

FASTTRAK

**Simple, Strong,
Quick & Easy.**

ASSEMBLY INSTRUCTIONS

F52



NOTES

BEFORE COMMENCING SHED ASSEMBLY, CHECK ALL PARTS. IF THERE IS A DISCREPANCY, PLEASE CALL YARDSAVER (SEE REAR OF INSTRUCTION BOOK)

DO NOT ASSEMBLE IN WINDY CONDITIONS



READ INSTRUCTIONS FIRST



2 PERSON ASSEMBLY



THE MANUFACTURERS CANNOT BE HELD RESPONSIBLE FOR ANY CONSEQUENCES DUE TO SHEDS THAT ARE NOT INSTALLED PER INSTRUCTIONS OR FOR DAMAGE DUE TO WEATHER CONDITIONS, ACTS OF GOD OR FOR SHEDS THAT ARE LEFT PARTIALLY ASSEMBLED OVERNIGHT. PARTS MAY CONTAIN SHARP EDGES & CORNERS. CARE MUST BE TAKEN WHEN HANDLING VARIOUS PIECES TO AVOID A MISHAP, FOR SAFETY SAKE, PLEASE USE A PAIR OF WORK GLOVES, EYE PROTECTION & PROTECTIVE CLOTHING WHEN ASSEMBLING OR PERFORMING ANY MAINTENANCE ON THE BUILDING.

TOOLS REQUIRED



Electric Drill



Cordless Drill



Measuring Tape



Screwdrivers



8mm Masonry Drill Bit



Shifting Spanner



Builders Pencil



Tin Snips
(some models only)



Rubber Mallet



Sturdy Ladder
(two if possible)



Gloves



Protective Eyewear

HANDY HINTS FOR CONSTRUCTION



Read instructions and check parts carefully before assembling the shed.



Please wear safety gloves and glasses at all times to protect against sharp metal edges.



Do not assemble in windy conditions as panels may be difficult to handle and damage may result.

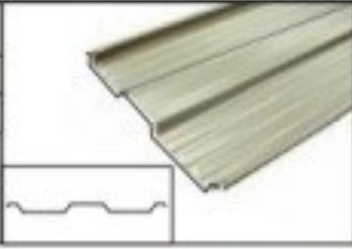



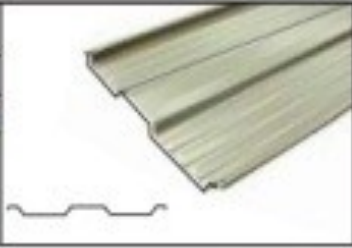



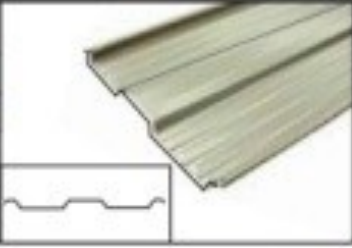







Do not back fill against the shed as this will result in corrosion. Allow drainage from the site.



MOST PILOT HOLES ARE PRE-PUNCHED AND IN THIS CASE DRILLING HOLES IS NOT NECESSARY, HOWEVER SOME PILOT HOLES NEED TO BE DRILLED WITH THE INCLUDED 2.5MM DRILL BIT WHERE INDICATED

PARTS LIST

<table border="1"> <tr><td>PRODUCT ID</td><td>C</td></tr> <tr><td>Length</td><td>1800mm</td></tr> <tr><td>Quantity</td><td>6</td></tr> <tr><td>Description:</td><td>Wall Panel</td></tr> </table> 	PRODUCT ID	C	Length	1800mm	Quantity	6	Description:	Wall Panel	<table border="1"> <tr><td>PRODUCT ID</td><td>J</td></tr> <tr><td>Length</td><td>1706mm</td></tr> <tr><td>Quantity</td><td>2</td></tr> <tr><td>Description:</td><td>Door Boxing</td></tr> </table> 	PRODUCT ID	J	Length	1706mm	Quantity	2	Description:	Door Boxing
PRODUCT ID	C																
Length	1800mm																
Quantity	6																
Description:	Wall Panel																
PRODUCT ID	J																
Length	1706mm																
Quantity	2																
Description:	Door Boxing																
<table border="1"> <tr><td>PRODUCT ID</td><td>D</td></tr> <tr><td>Length</td><td>1800mm</td></tr> <tr><td>Quantity</td><td>5</td></tr> <tr><td>Description:</td><td>Wall Corner Panel</td></tr> </table> 	PRODUCT ID	D	Length	1800mm	Quantity	5	Description:	Wall Corner Panel	<table border="1"> <tr><td>PRODUCT ID</td><td>K</td></tr> <tr><td>Length</td><td>1280mm</td></tr> <tr><td>Quantity</td><td>2</td></tr> <tr><td>Description:</td><td>Door Bracing</td></tr> </table> 	PRODUCT ID	K	Length	1280mm	Quantity	2	Description:	Door Bracing
PRODUCT ID	D																
Length	1800mm																
Quantity	5																
Description:	Wall Corner Panel																
PRODUCT ID	K																
Length	1280mm																
Quantity	2																
Description:	Door Bracing																
<table border="1"> <tr><td>PRODUCT ID</td><td>E</td></tr> <tr><td>Length</td><td>803mm</td></tr> <tr><td>Quantity</td><td>5</td></tr> <tr><td>Description:</td><td>Roof Panel</td></tr> </table> 	PRODUCT ID	E	Length	803mm	Quantity	5	Description:	Roof Panel	<table border="1"> <tr><td>PRODUCT ID</td><td>M</td></tr> <tr><td>Length</td><td>1753mm</td></tr> <tr><td>Quantity</td><td>4</td></tr> <tr><td>Description:</td><td>Top/Bottom Front/Rear Channel</td></tr> </table> 	PRODUCT ID	M	Length	1753mm	Quantity	4	Description:	Top/Bottom Front/Rear Channel
PRODUCT ID	E																
Length	803mm																
Quantity	5																
Description:	Roof Panel																
PRODUCT ID	M																
Length	1753mm																
Quantity	4																
Description:	Top/Bottom Front/Rear Channel																
<table border="1"> <tr><td>PRODUCT ID</td><td>F</td></tr> <tr><td>Length</td><td>1738mm</td></tr> <tr><td>Quantity</td><td>2</td></tr> <tr><td>Description:</td><td>Door Panel Side (partially slit)</td></tr> </table> 	PRODUCT ID	F	Length	1738mm	Quantity	2	Description:	Door Panel Side (partially slit)	<table border="1"> <tr><td>PRODUCT ID</td><td>N</td></tr> <tr><td>Length</td><td>715mm</td></tr> <tr><td>Quantity</td><td>4</td></tr> <tr><td>Description:</td><td>Side Channel Top/Bottom</td></tr> </table> 	PRODUCT ID	N	Length	715mm	Quantity	4	Description:	Side Channel Top/Bottom
PRODUCT ID	F																
Length	1738mm																
Quantity	2																
Description:	Door Panel Side (partially slit)																
PRODUCT ID	N																
Length	715mm																
Quantity	4																
Description:	Side Channel Top/Bottom																
<table border="1"> <tr><td>PRODUCT ID</td><td>G</td></tr> <tr><td>Length</td><td>1738mm</td></tr> <tr><td>Quantity</td><td>1</td></tr> <tr><td>Description:</td><td>Door Panel Centre</td></tr> </table> 	PRODUCT ID	G	Length	1738mm	Quantity	1	Description:	Door Panel Centre	<table border="1"> <tr><td>PRODUCT ID</td><td>Q</td></tr> <tr><td>Length</td><td>1800mm</td></tr> <tr><td>Quantity</td><td>2</td></tr> <tr><td>Description:</td><td>Door Jamb</td></tr> </table> 	PRODUCT ID	Q	Length	1800mm	Quantity	2	Description:	Door Jamb
PRODUCT ID	G																
Length	1738mm																
Quantity	1																
Description:	Door Panel Centre																
PRODUCT ID	Q																
Length	1800mm																
Quantity	2																
Description:	Door Jamb																
<table border="1"> <tr><td>PRODUCT ID</td><td>H</td></tr> <tr><td>Length</td><td>1008mm</td></tr> <tr><td>Quantity</td><td>2</td></tr> <tr><td>Description:</td><td>Door Frame Top/Bottom</td></tr> </table> 	PRODUCT ID	H	Length	1008mm	Quantity	2	Description:	Door Frame Top/Bottom	<table border="1"> <tr><td>PRODUCT ID</td><td>R</td></tr> <tr><td>Length</td><td>1021mm</td></tr> <tr><td>Quantity</td><td>1</td></tr> <tr><td>Description:</td><td>Bottom Door Spacer</td></tr> </table> 	PRODUCT ID	R	Length	1021mm	Quantity	1	Description:	Bottom Door Spacer
PRODUCT ID	H																
Length	1008mm																
Quantity	2																
Description:	Door Frame Top/Bottom																
PRODUCT ID	R																
Length	1021mm																
Quantity	1																
Description:	Bottom Door Spacer																
<table border="1"> <tr><td>PRODUCT ID</td><td>I</td></tr> <tr><td>Length</td><td>1742mm</td></tr> <tr><td>Quantity</td><td>2</td></tr> <tr><td>Description:</td><td>Door Frame Side</td></tr> </table> 	PRODUCT ID	I	Length	1742mm	Quantity	2	Description:	Door Frame Side	<table border="1"> <tr><td>PRODUCT ID</td><td>S</td></tr> <tr><td>Length</td><td>1021mm</td></tr> <tr><td>Quantity</td><td>1</td></tr> <tr><td>Description:</td><td>Top Door Spacer</td></tr> </table> 	PRODUCT ID	S	Length	1021mm	Quantity	1	Description:	Top Door Spacer
PRODUCT ID	I																
Length	1742mm																
Quantity	2																
Description:	Door Frame Side																
PRODUCT ID	S																
Length	1021mm																
Quantity	1																
Description:	Top Door Spacer																

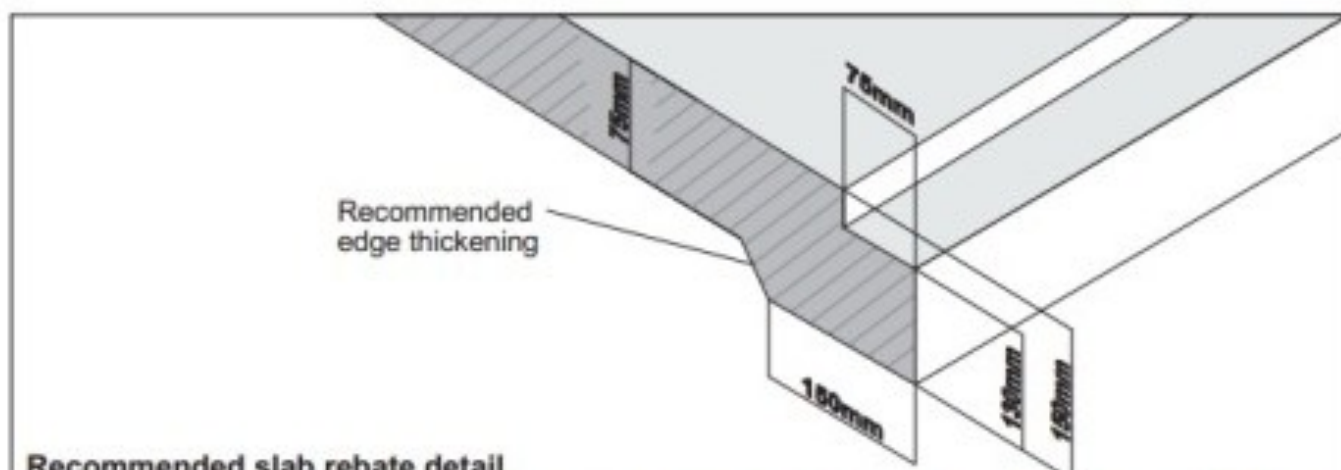
PARTS LIST

PRODUCT ID V Length 1750mm Quantity 2 Description: Gutter Trim		Quantity 1 Description: Padbolt	
PRODUCT ID W Length 795mm Quantity 2 Description: Roof Angle Trim		Quantity 1 Description: Keeper	
Quantity 200 Description: Self Tapping Screws - Silver		Quantity 1 Description: Plastic Washer and Screw Cap Sheet	
Quantity 1 Description: 2.5mm Drill Bit		Quantity 4 Description: Plastic Corner Cap	
Quantity 2 Description: Clip Nut		Quantity 4 Description: Corner Bracket	
Quantity 2 Description: Hinges (offset)		Quantity 2 Description: 55mm Bracket	
Quantity 1 Description: Door Plate		Quantity 4 Description: 3/16" Nut & Bolt	

PARTS LIST

					
Quantity	6		Quantity	1	
Masonry Anchor			Phillips Head Bit		

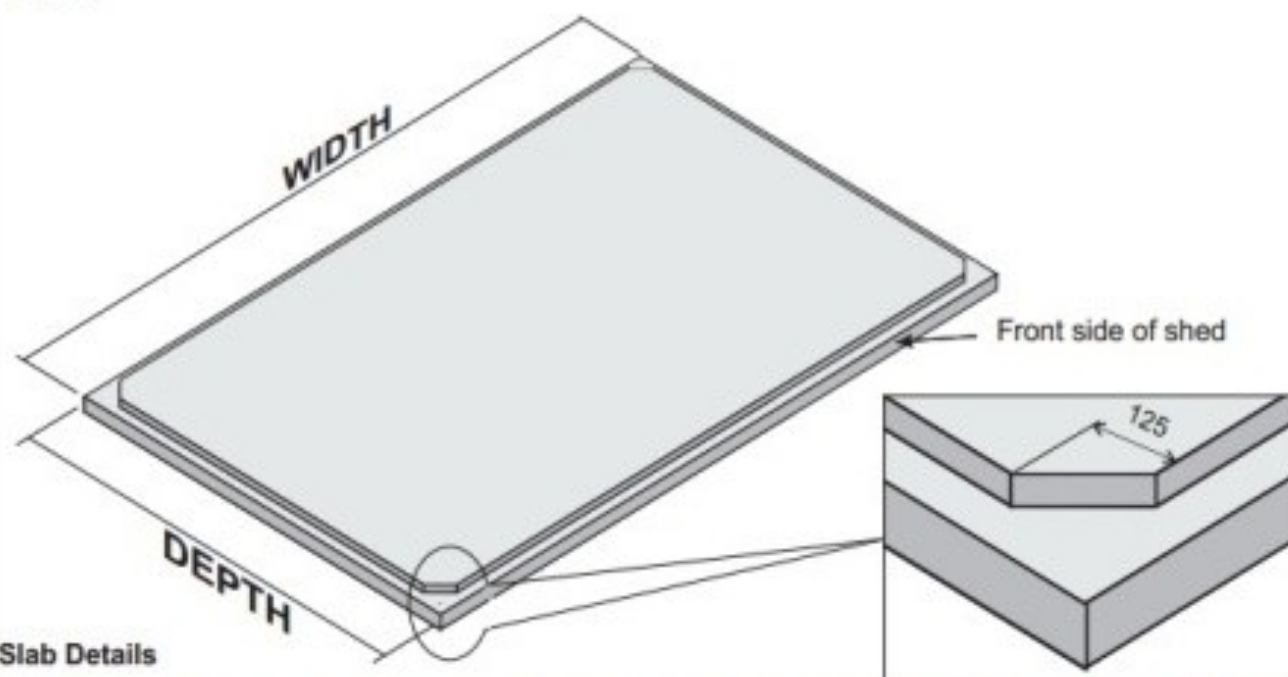
FOUNDATION



Recommended slab rebate detail

Although *not required*, it is strongly recommended that, to avoid water leakage around the base of your shed, a rebate be cast into the slab. This will allow the shed to sit below the slab level and prevent water from reaching the upper level of the slab.

If you planning a rebated slab make sure to cut the 4 corners at $125 \times 45^\circ$ as shown in detail below.



Slab Details

Your garden shed must be erected on a solid, level and square foundation. We strongly recommend you pour a concrete slab 75mm thick, reinforced with SL62 mesh (minimum) using dimensions from the table below.

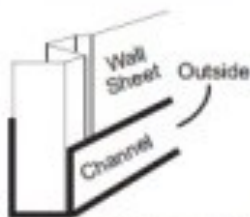
Masonry anchors are supplied

SHED CODE	OUTER SLAB SIZE width x depth	ANCHORS M8 x 40mm
52	1860mmx820mm	6

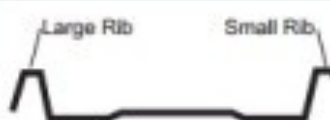
REAR WALL PANEL



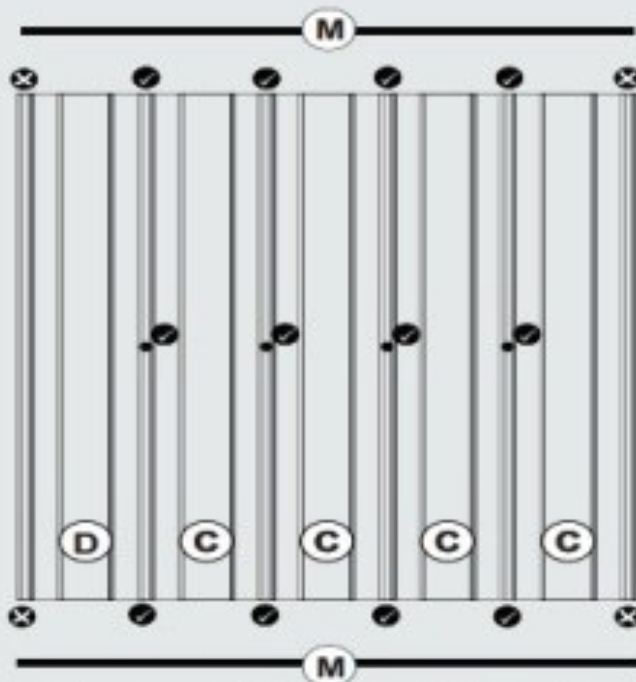
If you are having trouble screwing the channel to the sheets, chock behind the hole.



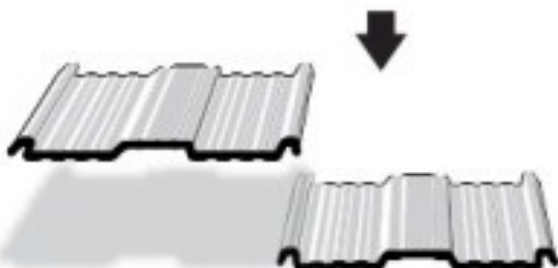
Ensure that the small lip of the channel is to the outside of the shed.



Fit the top and bottom channel to the wall panels. Ensure the channel is flush with the edge of the sheets. Do not screw the ends of the channel to the sheets at this point.



1



Lay the wall panels out with the large rib overlapping the small.



Screw the wall panels in the centre of the rib as shown.

2

Notched ends are orientated to the outer edges of the panel



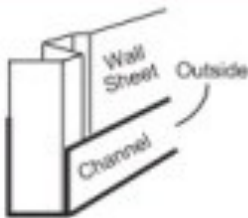
Do not screw here yet



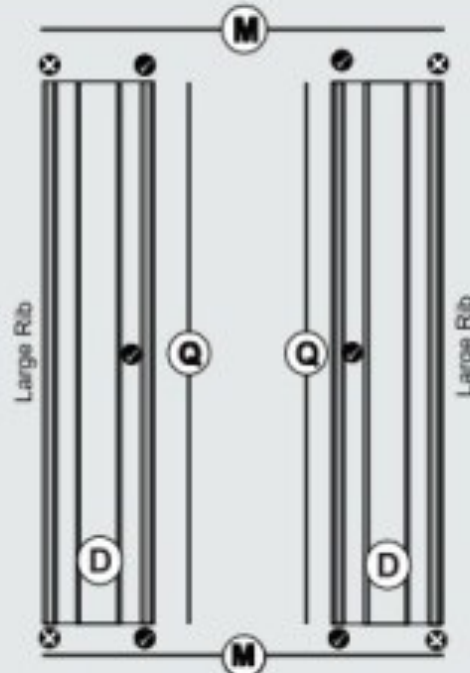
FRONT WALL PANEL



If you are having trouble screwing the channel to the sheets, chock behind the hole .



Ensure that the small lip of the channel is to the outside of the shed.



Fit the top and bottom channel and door jambs to the wall panels. It is key to ensure the large rib on the sheets is to the outside of the front wall panel and the channel is flush with the edge of the sheets. Do not screw the ends of the channel to the sheets at this point.

1

Notched ends are orientated to the outer edges of the panel



Do not screw here yet

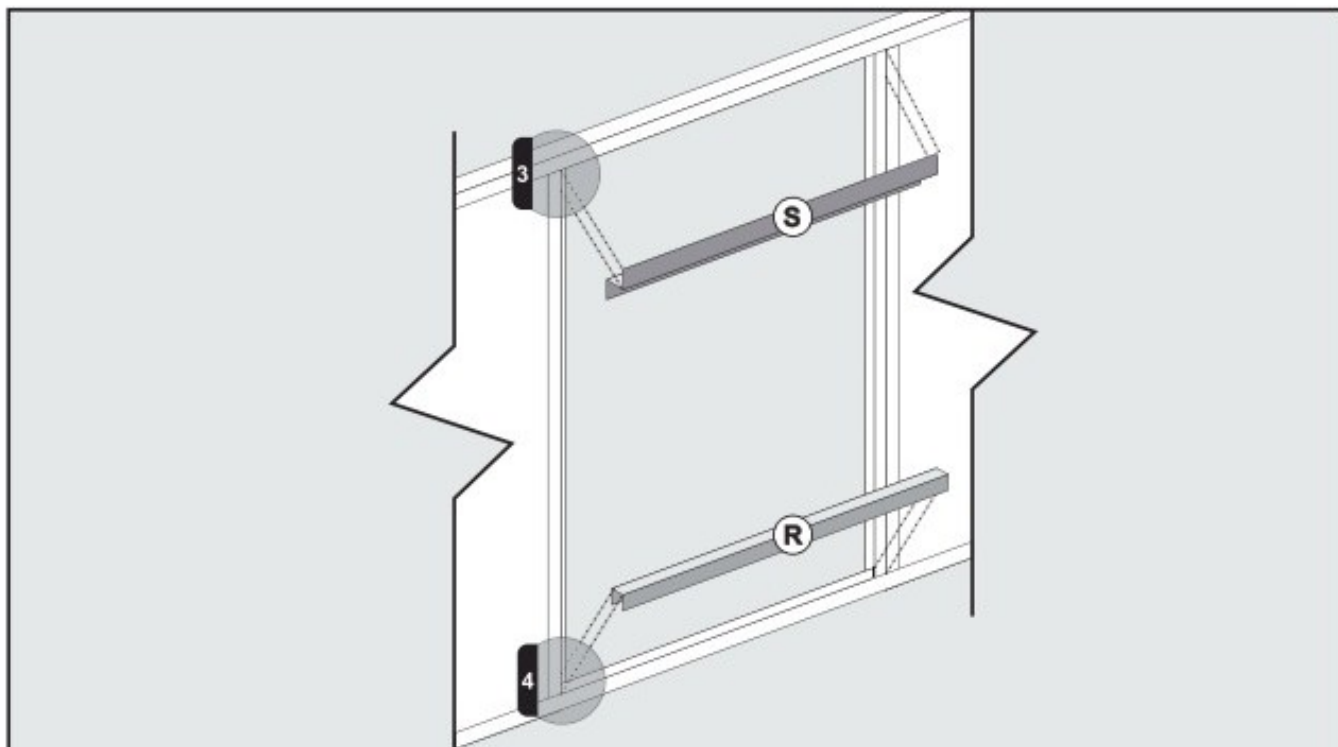


2

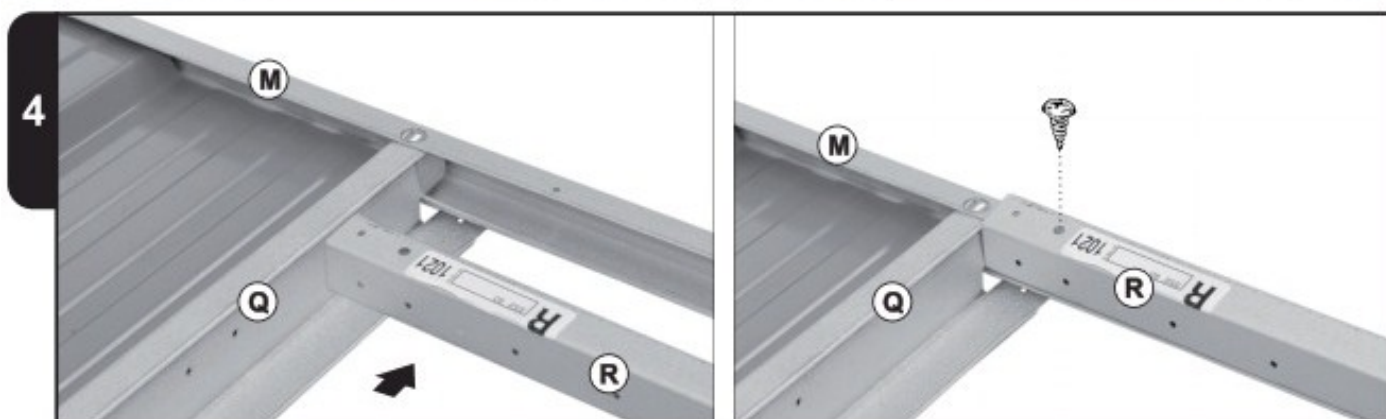
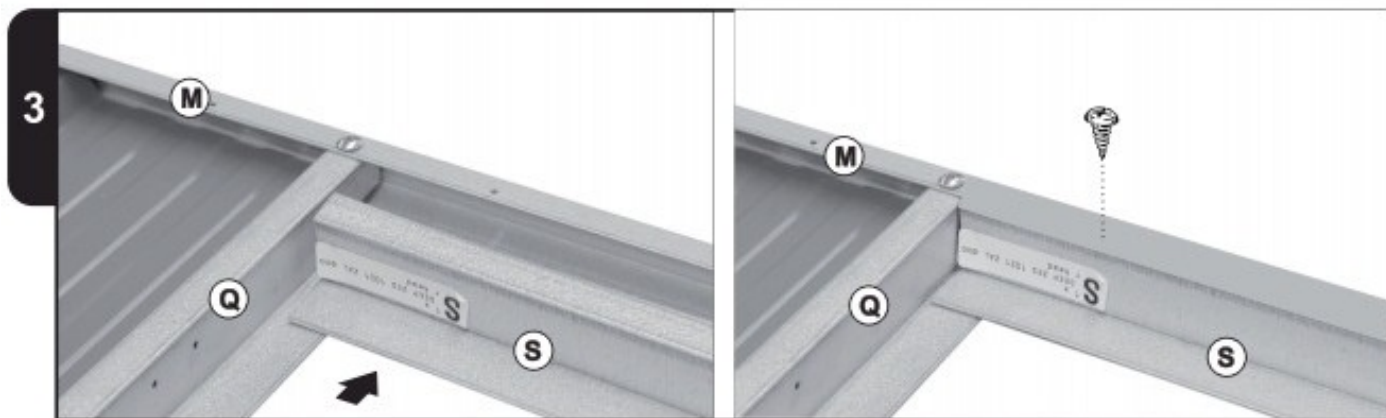
Top and bottom door jamb connection.



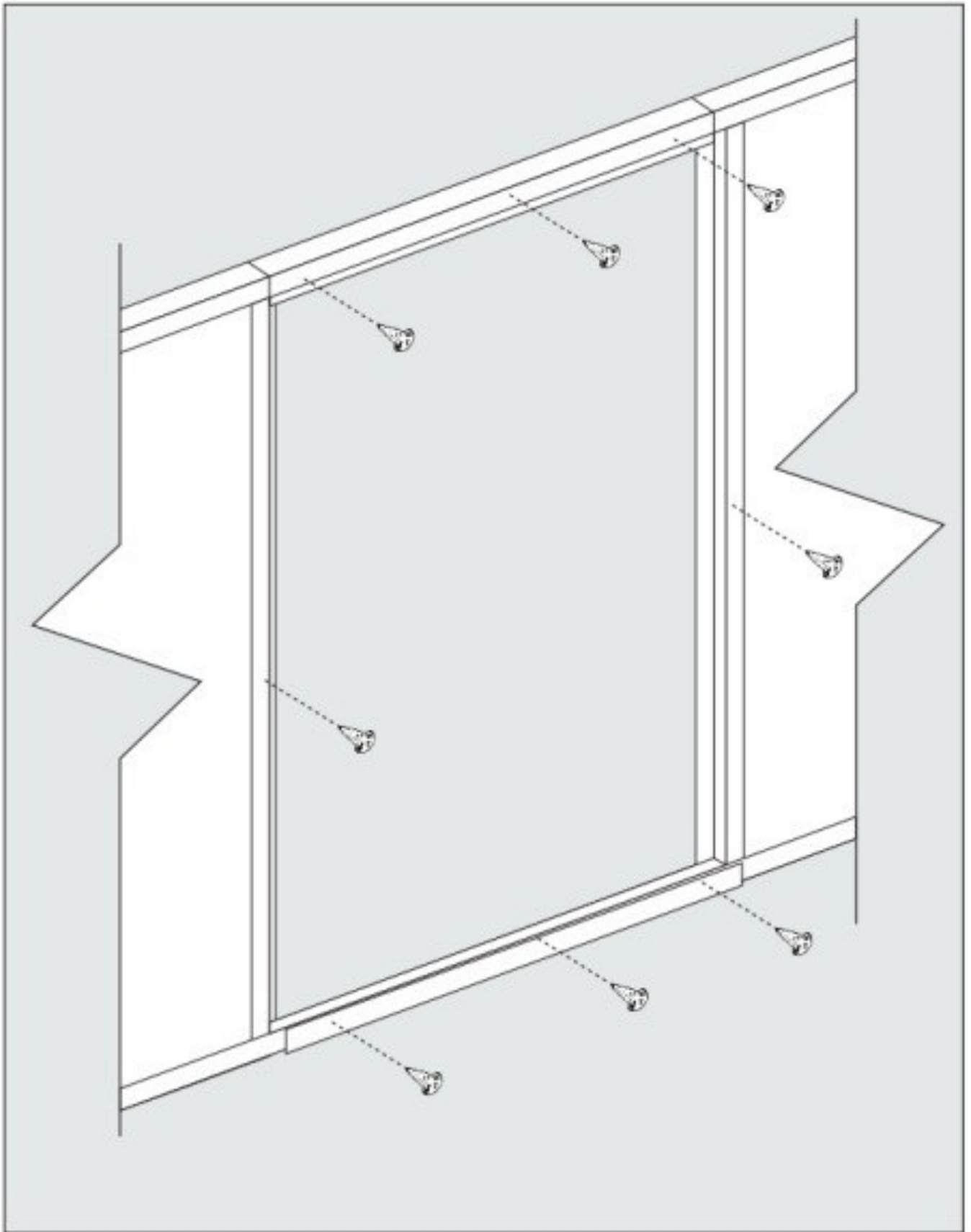
FRONT WALL PANEL



Fit the top door spacer and the bottom door spacer to the front wall panel as shown. Some pilot holes may need to be drilled with the included 2.5mm drill bit



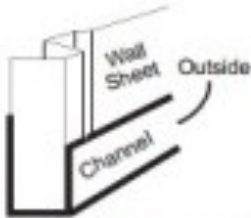
FRONT WALL PANEL



SIDE WALL PANELS



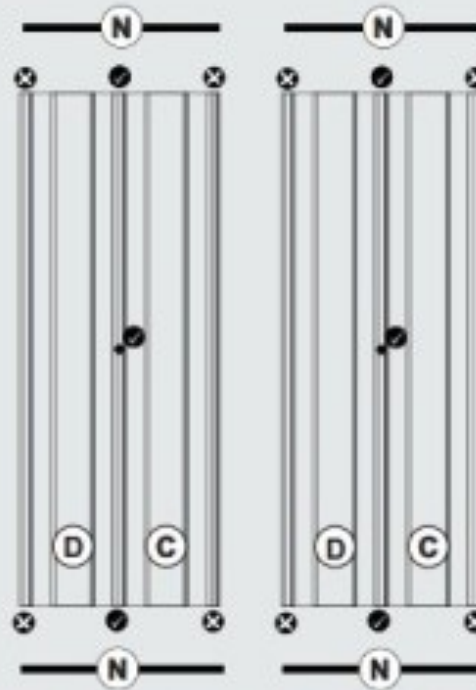
If you are having trouble screwing the channel to the sheets, chock behind the hole .



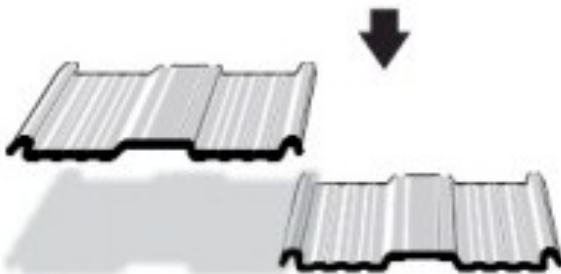
Ensure that the small lip of the channel is to the outside of the shed.



Fit the top and bottom channel to the wall panels. Ensure the channel is flush with the edge of the sheets. Do not screw the ends of the channel to the sheets at this point.



1



Lay the wall panels out with the large rib overlapping the small.



Screw the wall panels in the centre of the rib as shown.

2

Notched ends are orientated to the outer edges of the panel

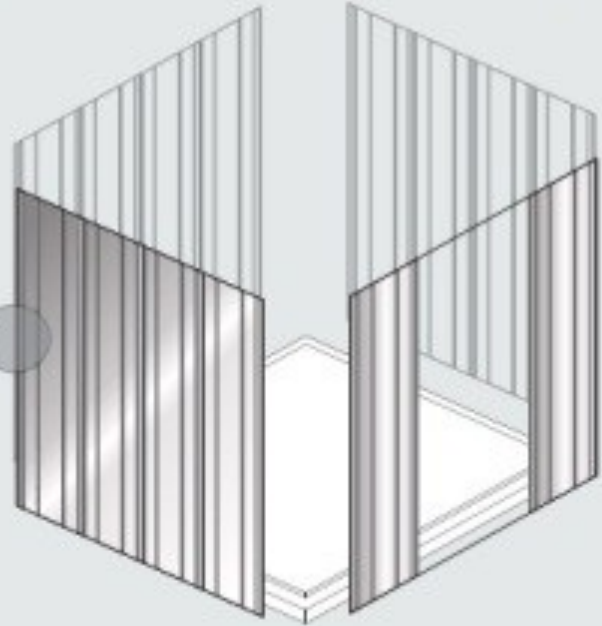
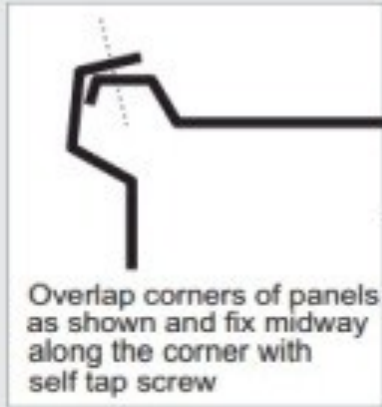


Do not screw here yet

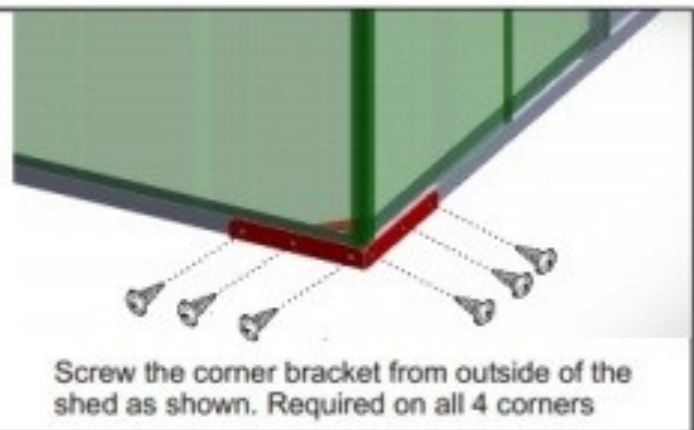
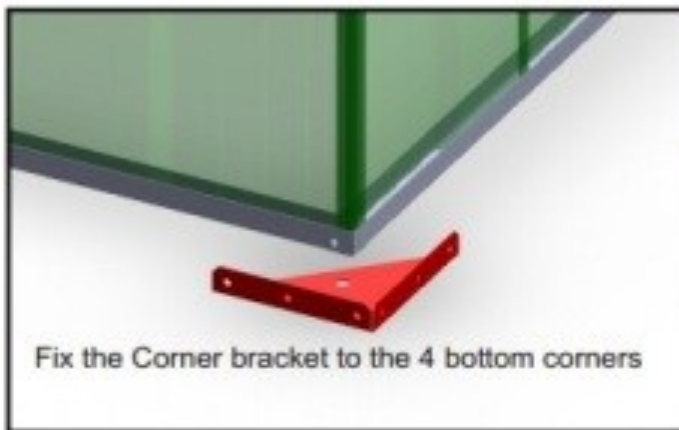


STAND AND JOIN WALL PANELS

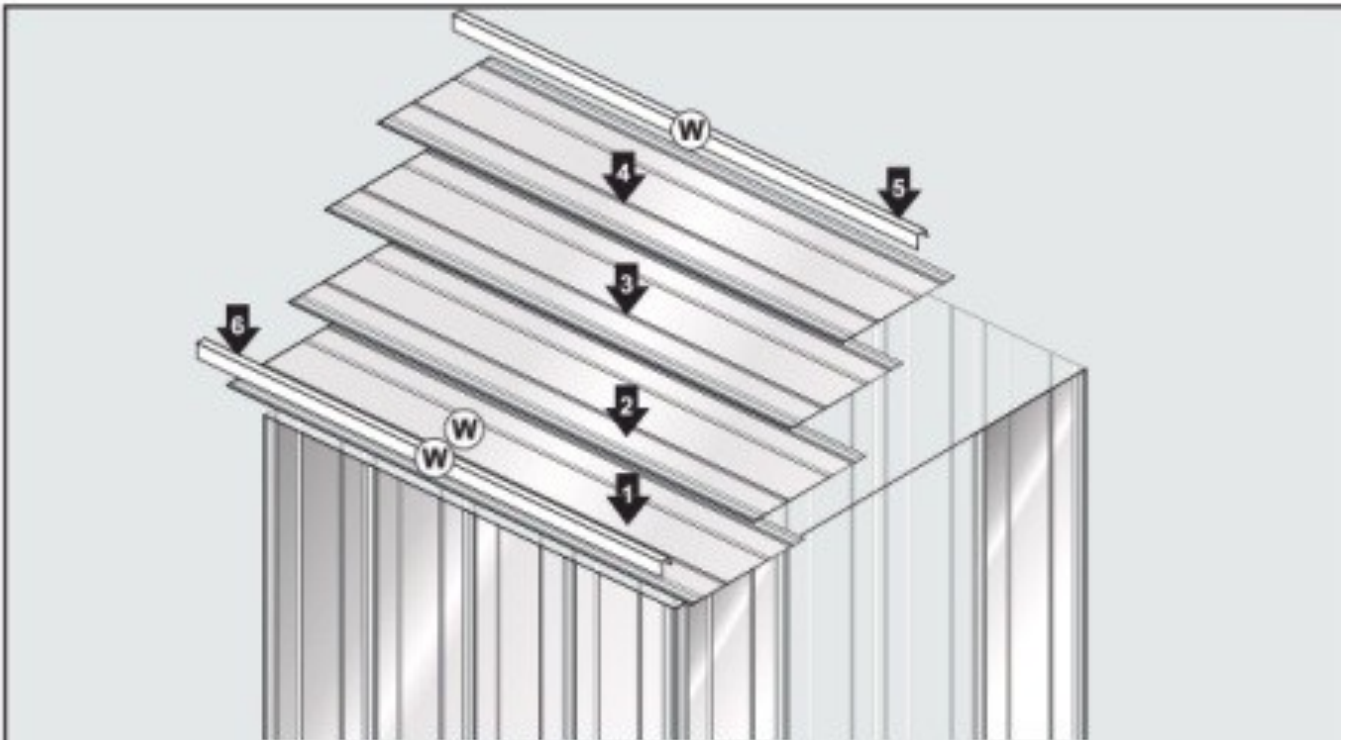
NOTE: The diagram below shows a 44 flat roof shed. The assembly process is the same for all flat roof sizes.



Once the four wall panels are assembled, they can now be stood and fixed together. Fix using the corner brackets and screws as shown below. Fix the front panel last. N.B when assembling large wall models, eg. 7 panels width and above, extra care should be taken, with person two providing adequate support to stop the wall from distorting.



FIT ROOF

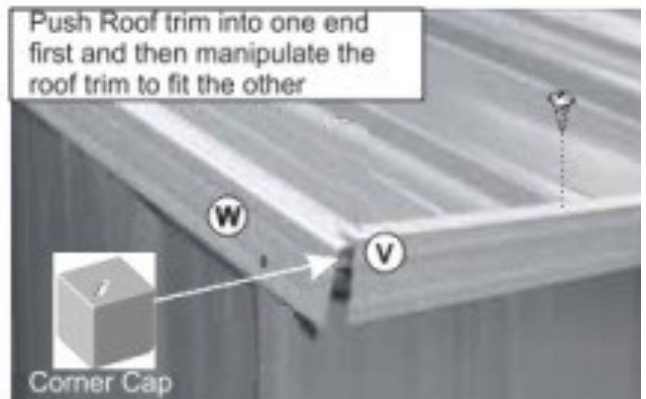


Once the four wall panels are fixed together, the roof Sheets can now be fixed one by one as shown to the shed. Be sure to check again that the shed is in square then lift the roof into place and fix with roof angle and screws as shown below. The holes on the roof sheets align with the channel on top of the front wall.

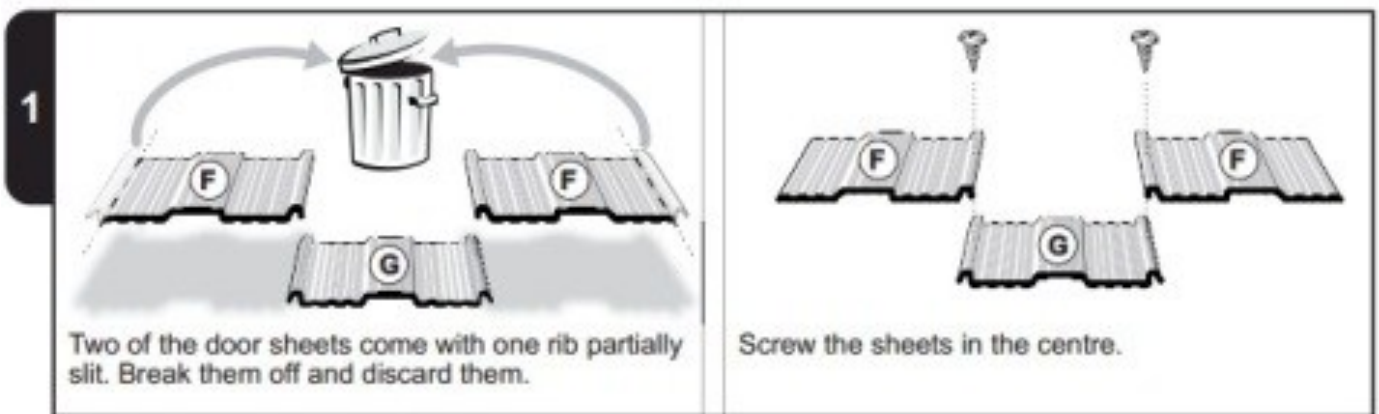
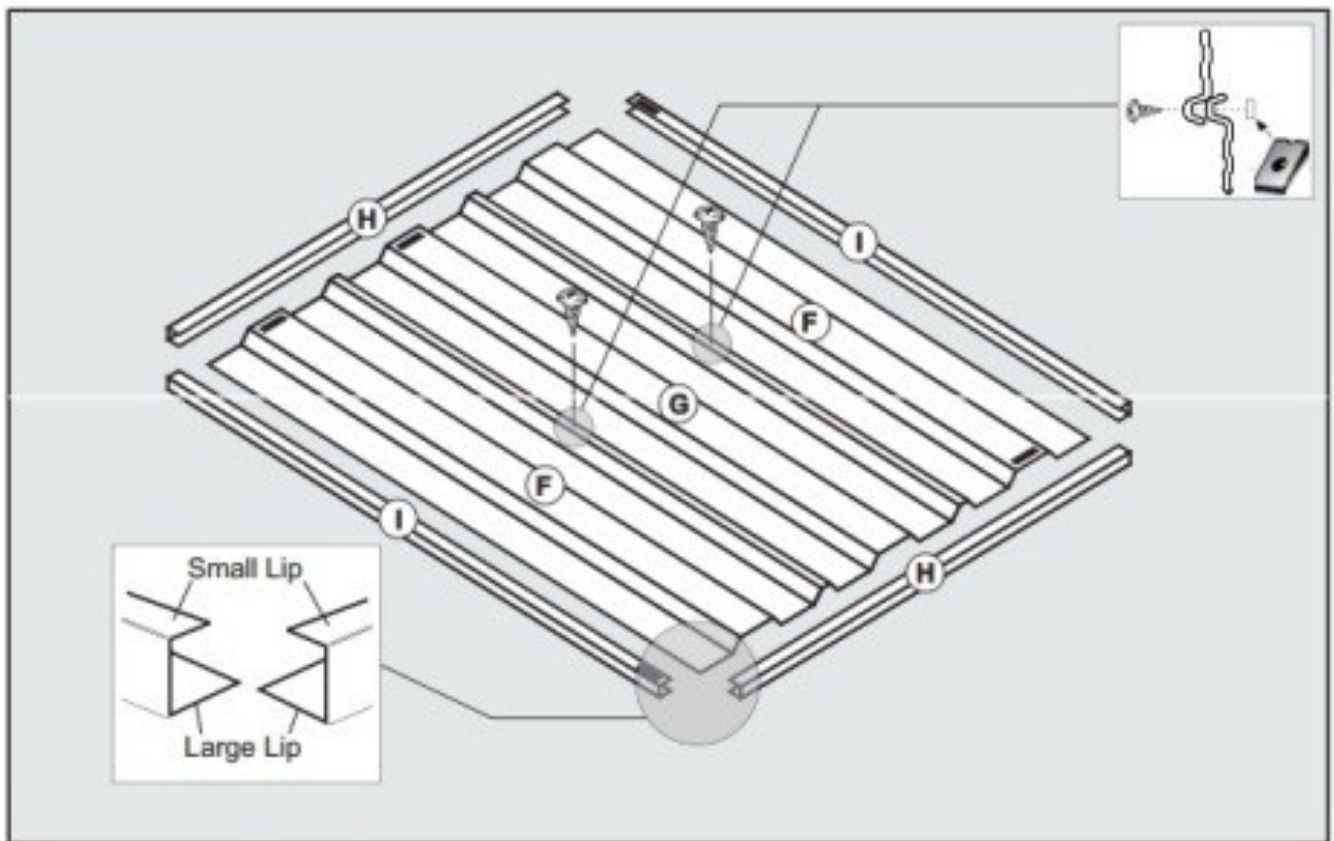


Place the roof onto the top frame. The two holes in the bottom of the roof sheet line up with the rear wall top frame of the shed as shown left.

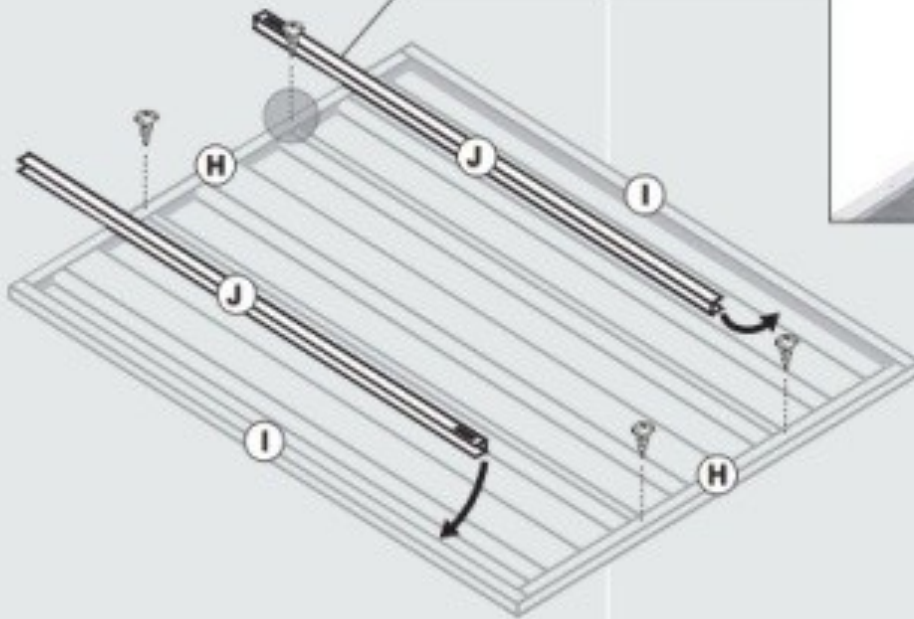
Then use one screw at the front of the roof sheet. This attaches to the front top frame.



ASSEMBLE DOOR



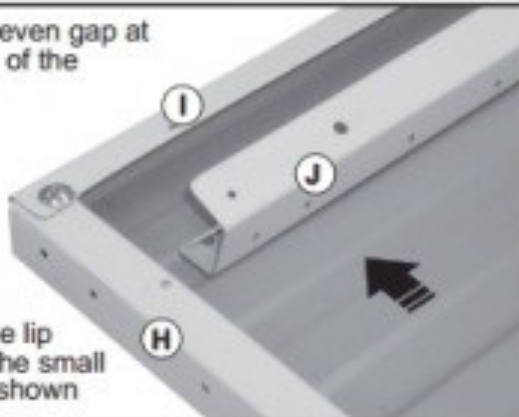
ASSEMBLE DOOR



Fix the frame H to the sheeting with screws through the small channel lips into the large sheeting ribs. Door boxing must be fitted to the door frame.

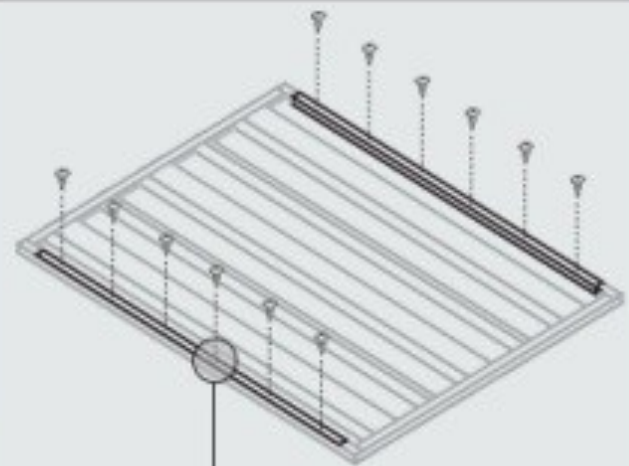
3

Leave an even gap at both ends of the boxing.



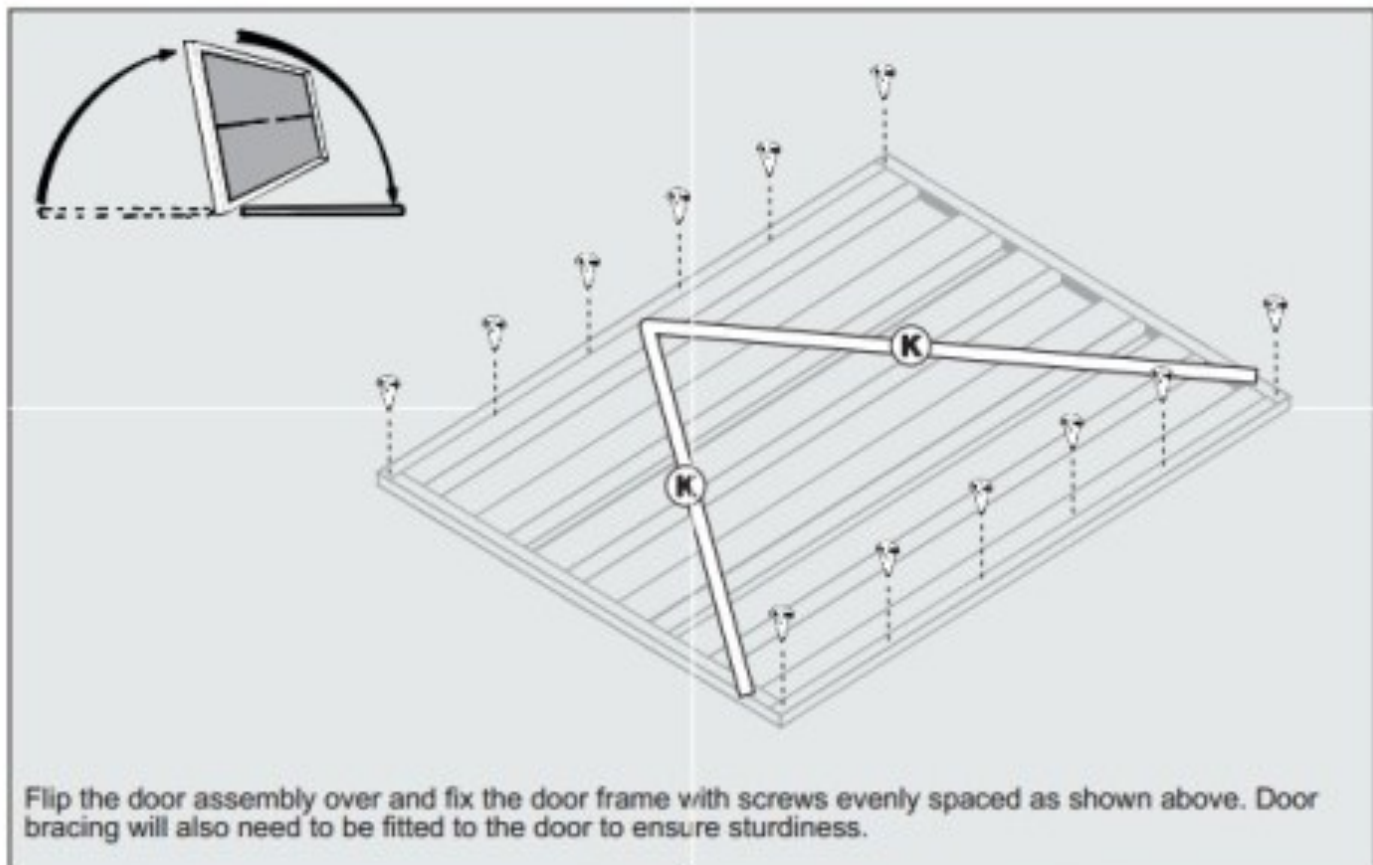
Place large lip of J over the small lip of I as shown

Screw the boxing to the frame as shown to the right

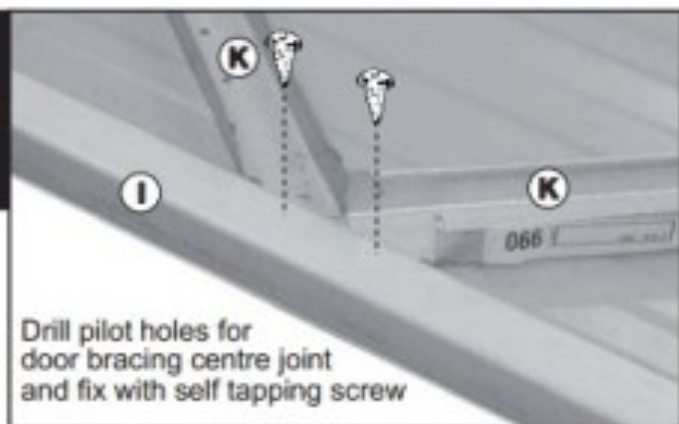


Fix both door boxing in place using six (6) screws.

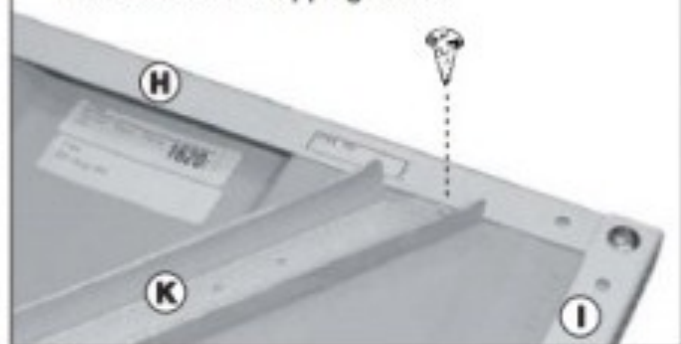
ASSEMBLE DOOR



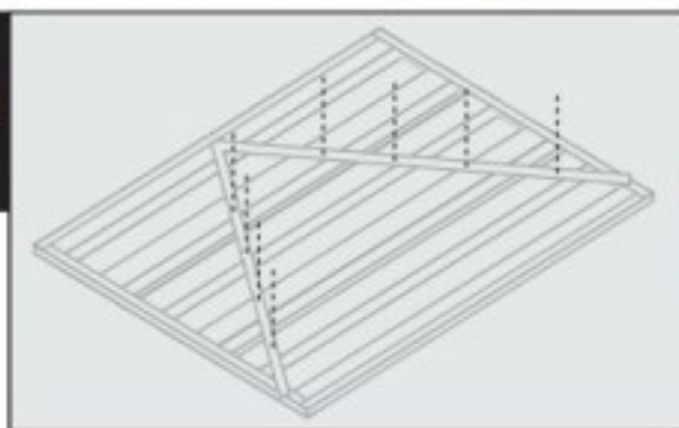
4



Drill pilot hole for top and bottom bracing joint, and fix with self tapping screw.



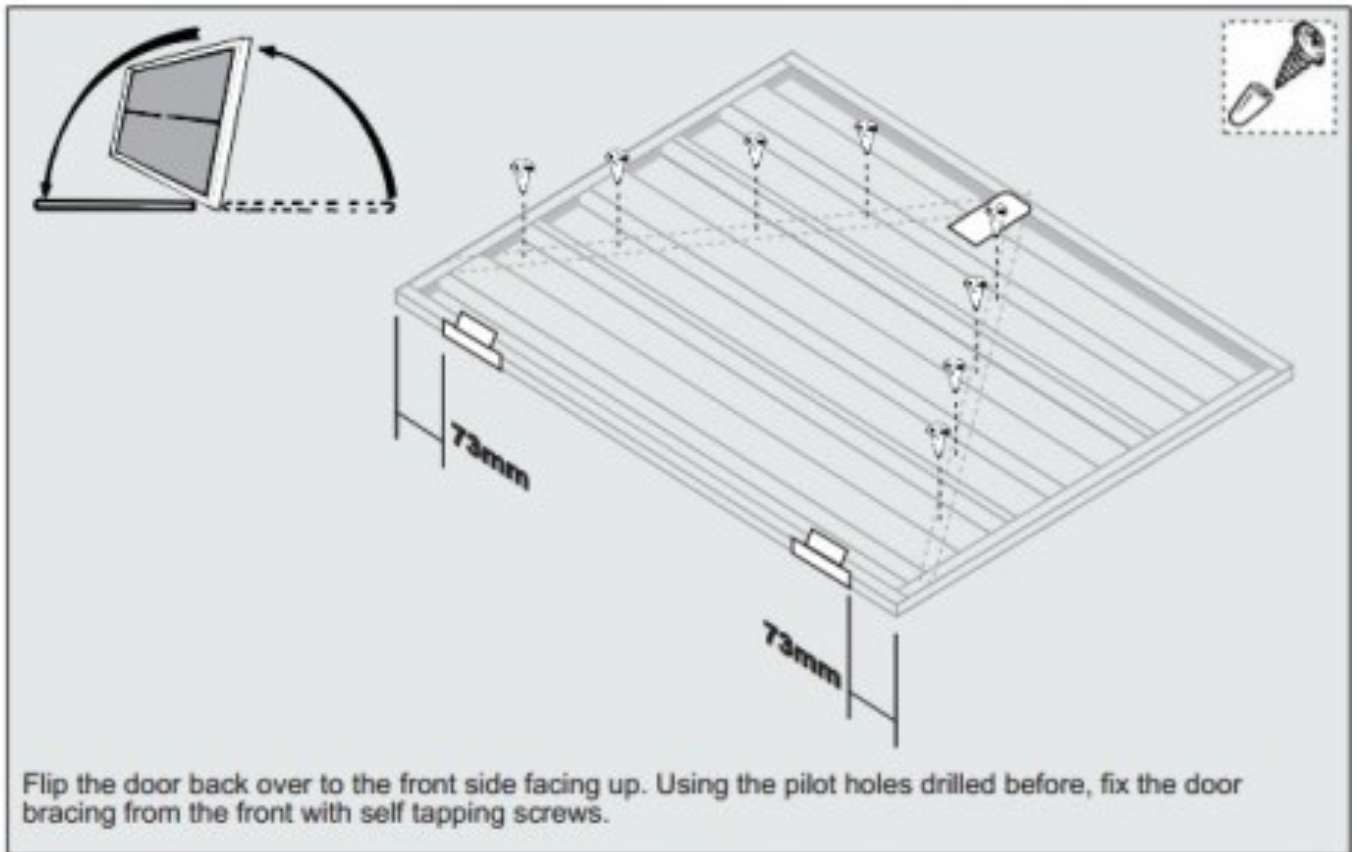
5



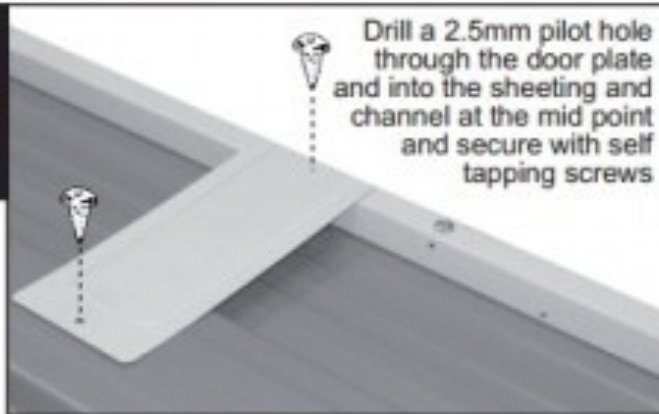
Use the 2.5mm drill bit to drill pilot holes through the door bracing into the door sheeting.

DO NOT FASTEN BRACING YET

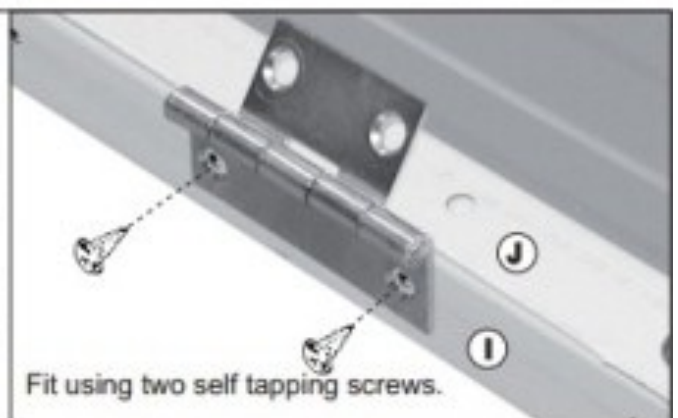
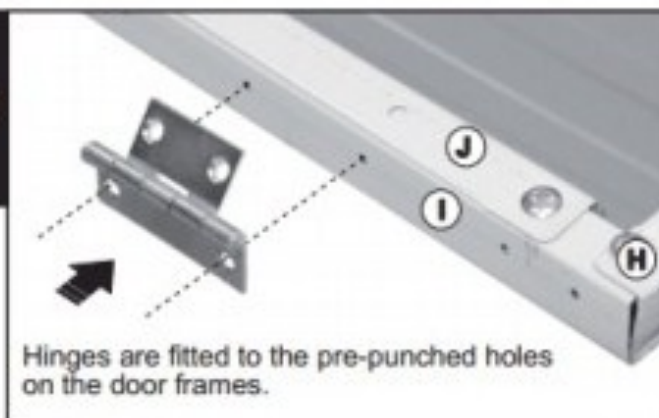
ASSEMBLE DOOR



6

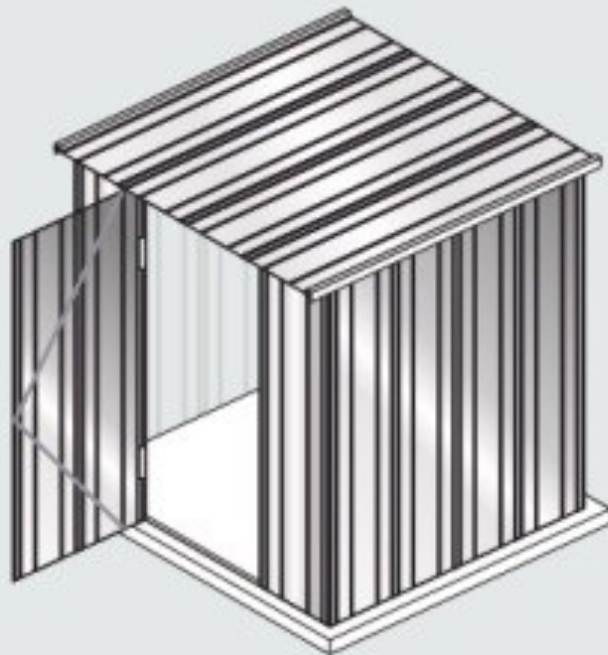


7



HANG DOOR

NOTE: The diagram below shows a 44 flat roof shed. The assembly process is the same for all sheds.



Fit the door to the left or right by fixing the hinges to the pre-drilled holes in the door jambs then fit the padbolt keeper.

1



2

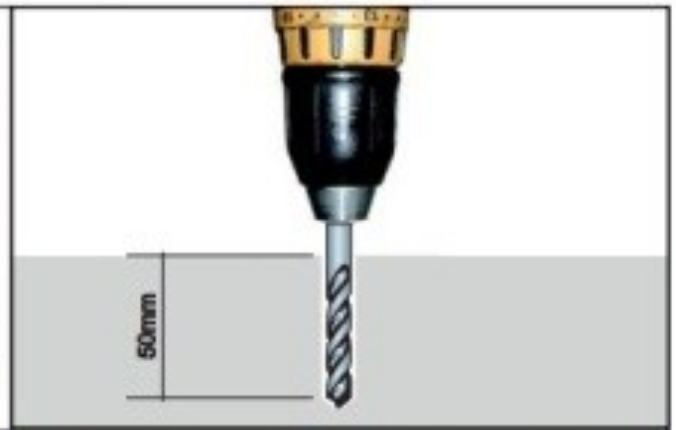
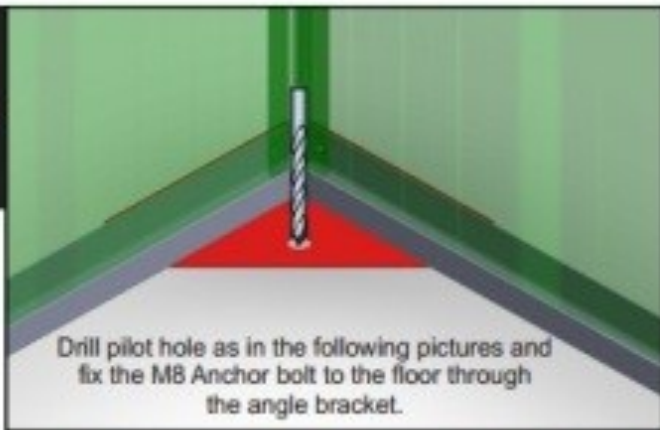


Drill pilot holes to accommodate the padbolt keeper and then fix with self tapping screws

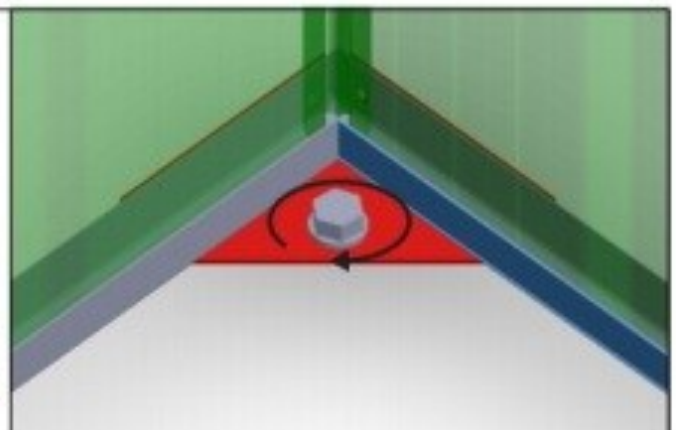
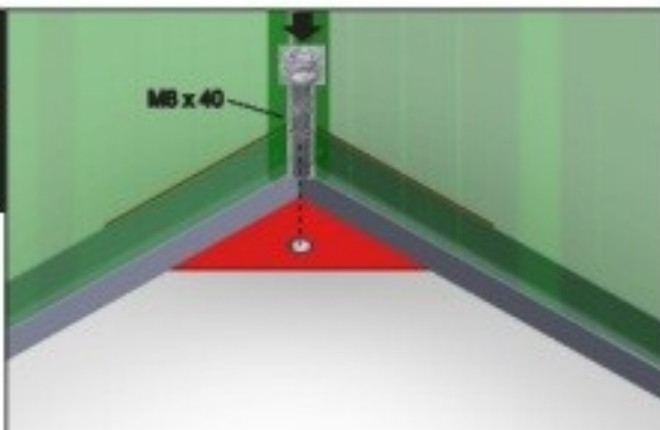
BOLT DOWN



1



2

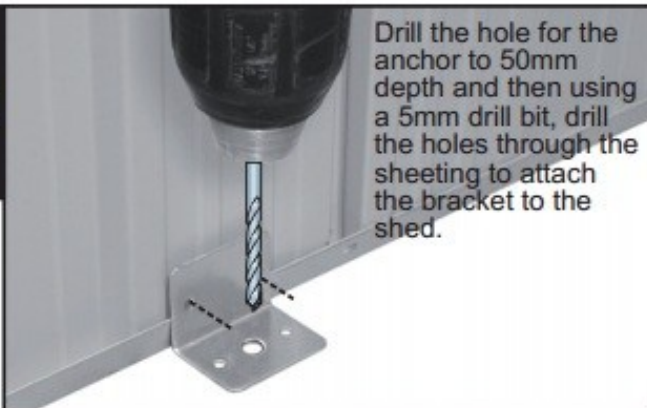


BOLT DOWN

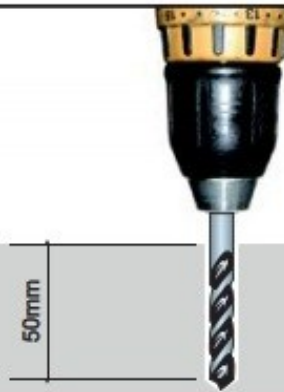


Bolt the shed down through the angle brackets as shown.

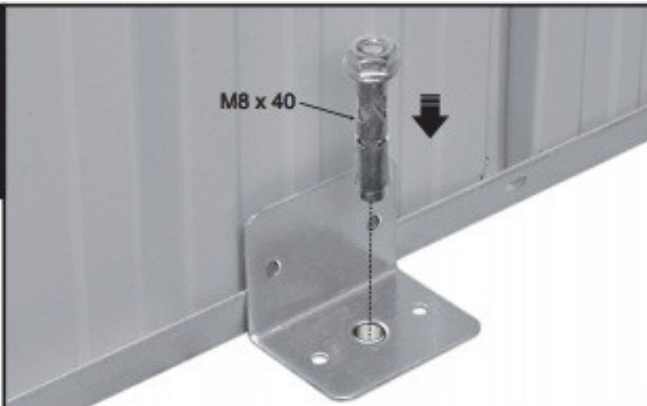
1



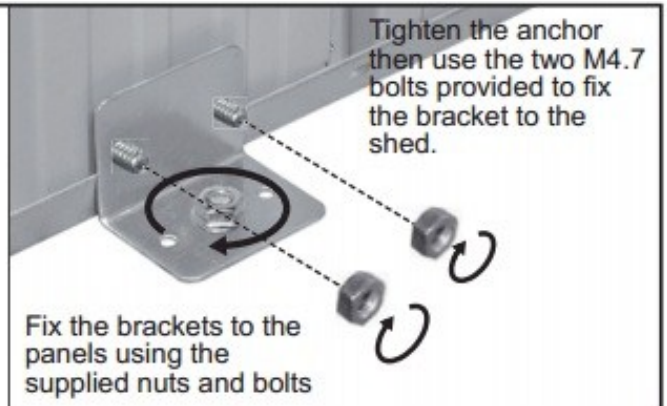
Drill the hole for the anchor to 50mm depth and then using a 5mm drill bit, drill the holes through the sheeting to attach the bracket to the shed.



2



M8 x 40



Tighten the anchor then use the two M4.7 bolts provided to fix the bracket to the shed.

Fix the brackets to the panels using the supplied nuts and bolts